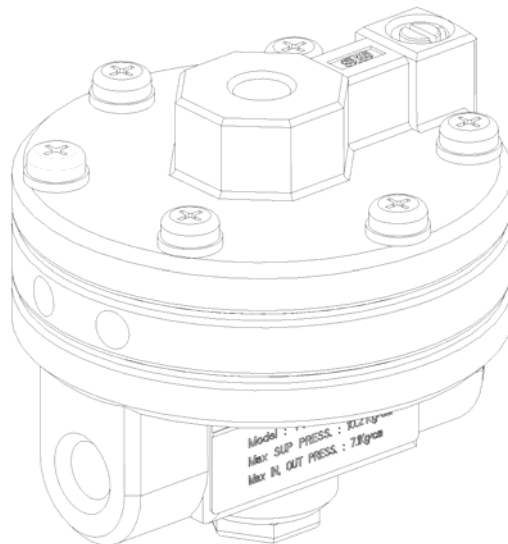


Volume Booster Relays YT-300, YT-305

USER'S MANUAL



YTC

MIEPL
INDIAN SALES PARTNER

V.1.02

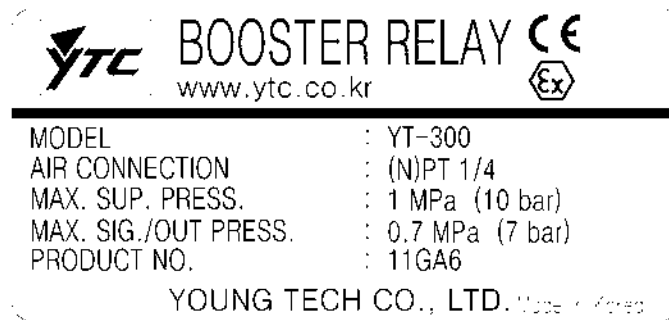
Product Description

Volume booster relay, YT-300 (YT-305) used in pneumatic control valve which receives positioner's output signal and supply air pressure actuator for reduce response and adjusting time.

Product Characteristic

- Supplies constant air pressure at the rate of 1:1.
- By-passing control enhance safety of control valve.
- Responses to slight changes in input signal, which increases accuracy of output of air pressure to actuator.
- Built-in 100 mesh screen filters dusts in the air.

Label



- MODEL:** Indicates product's model, suffix, and options (if any).
Please see below table for more detailed information on suffix.
- AIR CONNECTION:** Indicates the size of air connection port.
- MAX. SUP. PRESS.:** Indicates maximum level of air supply.
- MAX. SIG./OUT PRESS.:** Indicates maximum signal/output level.
- PRODUCT NO.:** Indicates the product's unique serial number.

Suffix Symbol

YT-300(YT-305) follows suffix symbols as below.

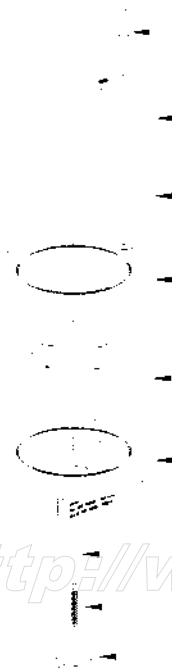
YT-300 / YT-305 [1] [2]

[1] Connection Size	P : PT
	N : NPT
[2] Ambient Temperature	1 : -20 ~ 70℃
	2 : -20 ~ 120℃
	3 : -40 ~ 70℃

Specification

Category	YT-300	YT-305
Max Supply Pressure	Max. 1Mpa (10bar)	
Max Output Pressure	Max. 0.7Mpa (7bar)	
Signal/Output Pressure Ratio	1 : 1	
Flow Capacity (Cv)	Exhaust	1.02
	Output	0.86
In/ Output Connection	PT (NPT) 1/4	NPT1/4
Signal Connection	PT (NPT) 1/4	NPT1/4
Linearity	±1% (F.S.)	
Hysteresis	1%	
Ambient Temp	-20~70°C (Stnd), -20~120°C (High), -40~70°C (Low)	
Material	Aluminum Diecasting	Stainless Steel 316
Weight	0.5kg	1.3kg

Part and Assembly



<http://www.ytc.kr>

Please be knowledgeable of product's major parts and assembly steps for future maintenance.

Operation Logic

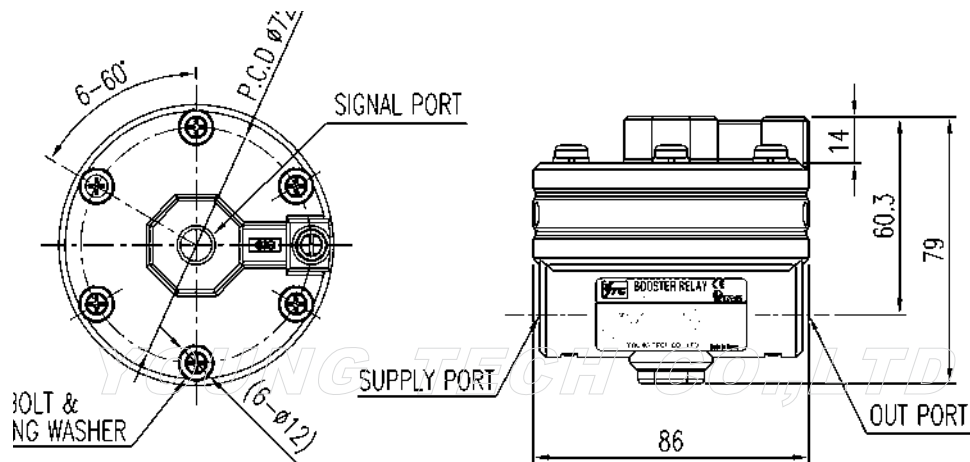
The air pressure is being supplied to actuator by the supply pressure from regulator, which sends output signal to signal port. The upper diaphragm (③) is being pushed down to lower diaphragm (⑤) and push main disk (⑨). The air pressure then will be supplied to actuator through exhaust port. Balanced output and signal pressure will move upper diaphragm (③) which would maintain the rate 1:1 constantly. If output is higher than signal pressure, then diaphragm assembly will be raised which would result exhaustion of output pressure through exhaust ring (④). Output pressure's sensitivity to signal can be adjusted by rotating adjust bolt (①), and safety of closed loop system can be enhanced.

YOUNG TECH CO.,LTD



<http://www.ytc.kr>

Dimension (outer)



Installing

⚠ Caution

When installing the product, please follow below procedures.

- Always wear safety equipments and follow safety procedures.
- Compressed gas can be exploded and damage the body/parts or surrounding structure, if the product's maximum specification exceeded. Please check the product's specification before installing. Also, in order to minimize the damage, in case of accident, please make sure all of the compressed/pressurized input lines by-passed.
- For maintenance, please stop volume booster's operation timely basis.
- Air must be clean, dry, and not corrosive gas which must be passed through the filter.
- Inflow air will be exhausted through the exhaust port which located on the side of the volume booster.
- Please be check exhaust port for substances or obstacle. Also, make sure not to leave volume booster in sealed places.
- It is recommended to use appropriate capacity of air filter regulator.

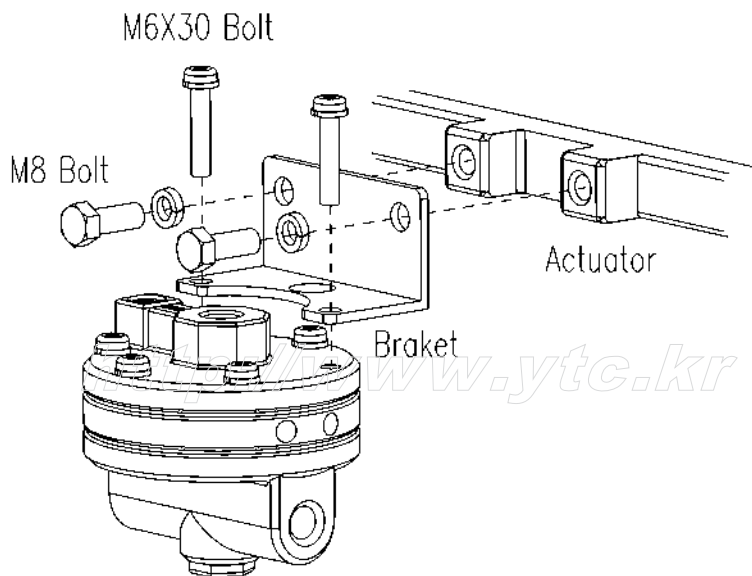
<http://www.ytc.kr>

Install Layout

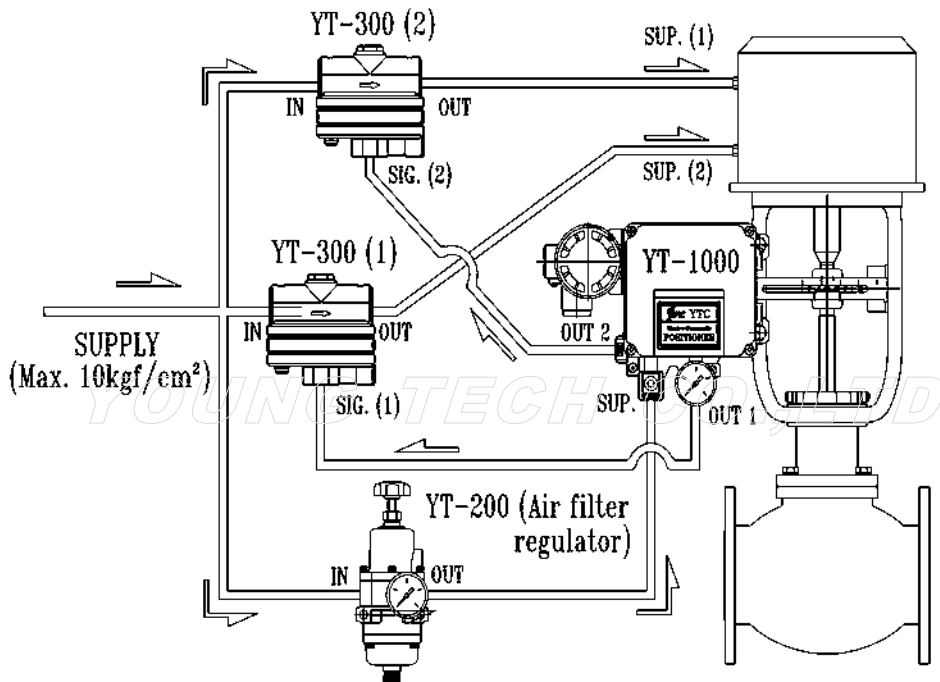
YT-300 should be installed between actuator, positioner, and supply pipes, and can be installed without a bracket which can be supported only by air pressure pipes. Before connecting pipes, please make sure the inside of pipes are clear, and the size of the pipe are relevant to the capacity.

If the booster must be mounted on a bracket, the bracket must be made according to the outer dimension on the previous page.

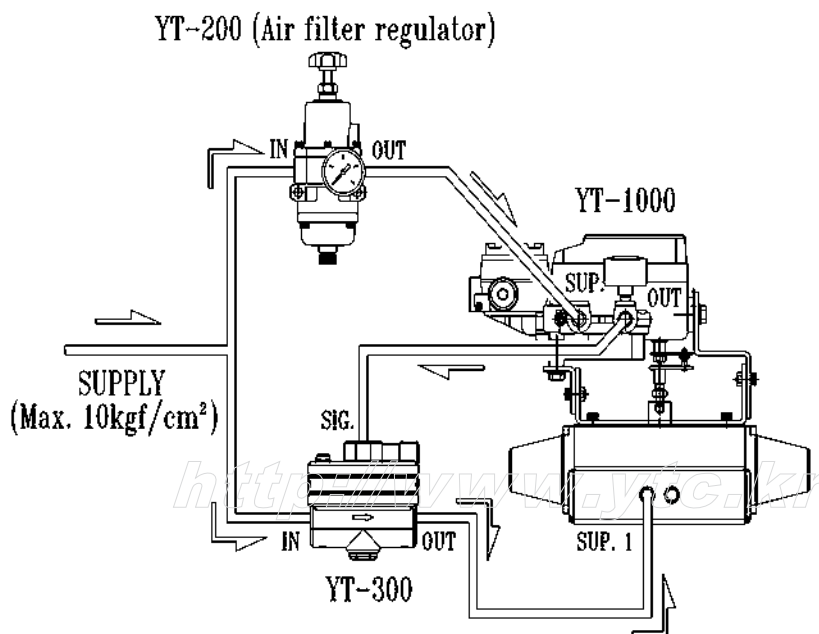
YOUNG TECH CO.,LTD



Install Example



LINEAR ACTUATOR TYPE



ROTARY ACTUATOR TYPE

Maintenance

Please refer to below table (repair kit) and parts' name (pg 2). Before replacing any parts, please make sure to follow field's safety instruction and manual to avoid any accidents and damages to the product.

Repair kit

Part Name	Qty
Upper Diaphragm	1 (ea)
Lower Diaphragm Assembly	1 (set)
O-ring	3 (ea)

When using Repair Kit, all of the parts must be replaced at the same time. Partial replacing part may result shortening product's life cycle.

Troubleshooting

▶ No valve operation response to signal to positioner

- ① Please check if air pressure supplied is constant and normal from regulator to positioner and/or volume booster.
- ② Please check if air pressure is being exhausted from positioner's exhaust port.
- ③ Please check if supply and exhaust port are being not blocked.

▶ Unstable valve operation when signal has been sent to positioner

- ① Please reduce valve packing and/or valve friction level.
- ② Please increase size of the actuator.

▶ Hunting occurs when signal has been sent to positioner

- ① Please reduce valve packing and/or valve friction level.
- ② Please increase size of the actuator.
- ③ Please rotate control screw counter-clockwise on top of the booster to reduce sensitivity.

▶ Slow valve operation when signal has been sent to positioner

- ① Please check if regulator control pressure is too low.
- ② Please check if supply pipe to actuator is blocked.
- ③ Please check if there is any leakage.
- ④ Please rotate control screw clockwise on top of the booster to enhance sensitivity.