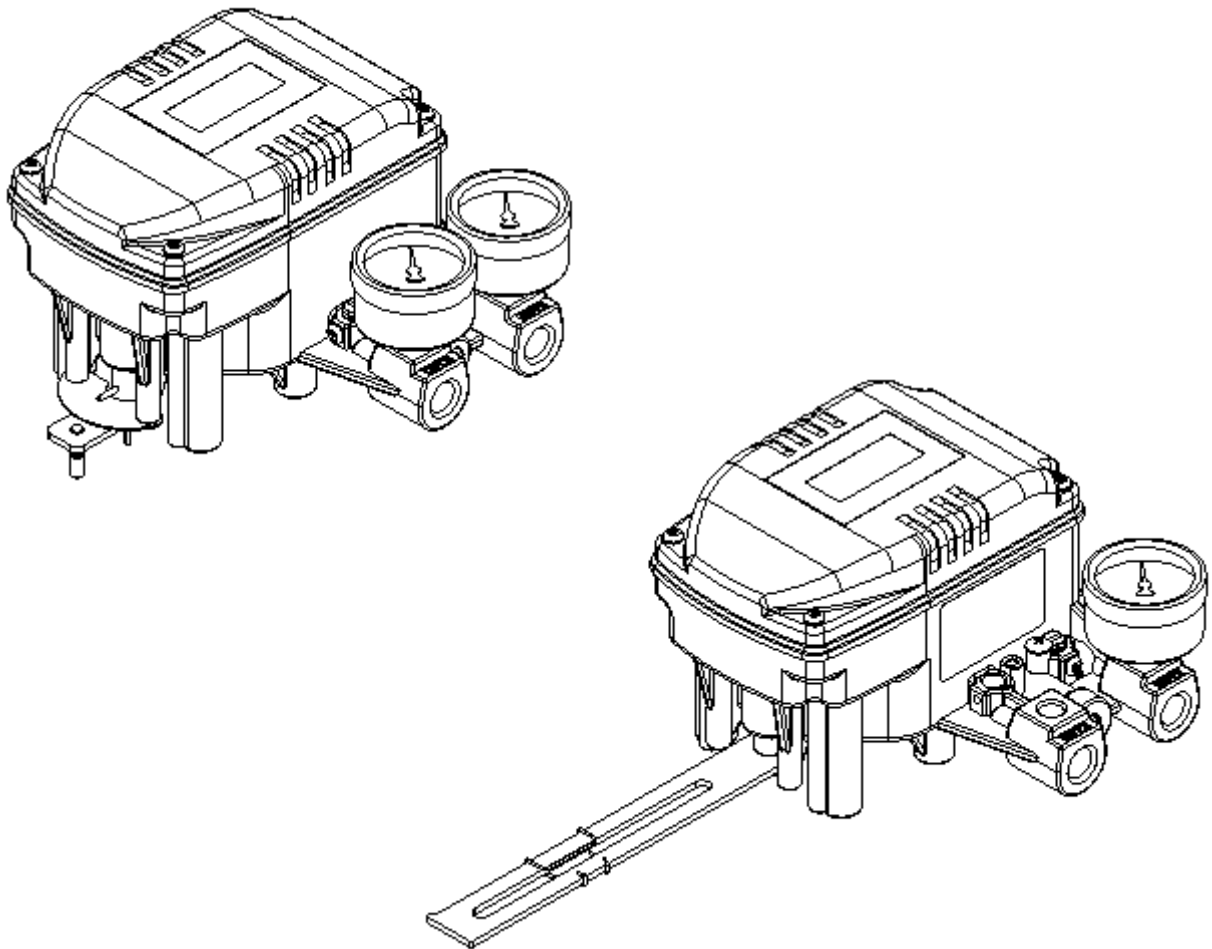

SMART POSITIONER

YT-2300 SERIES

USER'S MANUAL



YTC

V.1.05

Table of Contents	
Contents	Page No.
Introduction	4
Manufacturer Warranty	4
Product Description	5
Main Features and Functions	5
Label Description	6
Suffix Symbols	6
Specification	7
Parts and Assembly	8
Dimensions	9
Installation	11
Safety Warning	11
Tools for Installation	11
YT-2300L Installation	11
YT-2300R Installation	15
Bracket Information	16
Connection	19
Connection - Piping	19
Piping Connection with Actuator	20
Single Acting Actuator	20
Double Acting Actuator	20
Connection - Power	21
Connection - Terminal	22
Connection - Feedback Signal	22
Connection - Ground	23
Adjustment	23
Adjustment - A/M Switch (Auto/Manual Switch)	23
Adjustment - Variable Orifice	24

Adjustment - Option Module PCB (PTM/HART)	24
Auto Calibration and Basic Operation	25
Button Description	25
Run Mode (RUN)	26
Auto Calibration (AUTO CAL)	26
Auto 1 Calibration	27
Auto 2 Calibration	27
Auto 3 Calibration	28
Manual Mode (MANUAL)	28
Parameter Mode (PARAM)	29
Dead-Zone (dEAZONE)	29
P-Value (KP)	30
I-Value (KI)	30
D-Value (KD)	30
Hand Calibration Mode (HANd CAL)	31
Zero-Point (PZ_ZERO) and End-Point (PZ_END) for Valves	31
Zero-Point (TR_ZERO) and End-Point (TR_END) for Transmitter	31
End-Point Ratio for Valve (PE_TRIM)	32
Normal/Reverse Feedback Signal (TR_NORM/REV)	32
Valve Mode (VALVE)	32
Acting Adjustment (ACT)	32
Characteristics Adjustment (CHAR)	33
User Characteristics (USER SET)	33
Tight Shut Open (TSHUT OP)	34
Tight Shut Close (TSHUT CL)	34
Split Range Control (SPLIT)	34
View Mode (VIEW)	35
Error and Warning Code	36
Error Code	36
Warning Code	36
Main Software Map	37

Introduction

Thank you for choosing YTC product. Each product is fully inspected after the production to offer you the highest quality. In order to fully utilize the product, we strongly recommend users to read the manual carefully and fully understood.

The manual should be provided to the end-user.

The manual can be altered or revised without any prior notice. Any changes in product's specification, structure, and/or any components may not result immediate revised version of the manual.

The manual should not be duplicated or reproduced for any purpose without any approval from Young Tech Co., Ltd, South Korea.

Manufacturer Warranty

For the safety, it is imperative to follow instructions in the manual. It is not manufacturer's liability for any damages which caused by users' negligence.

It is not manufacturer's liability for any damages or accidents which resulted by any alteration or modification of the product and parts. If alteration or modification is necessary, please contact the manufacturer directly.

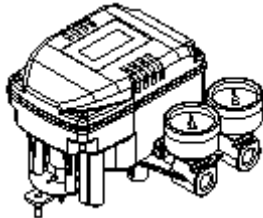
Manufacturer warrants the product from the date of original retail purchase of the product for one (1) year, except as otherwise stated.

Manufacturer warranty will not cover the products that the product have been subjected to abuse, accident, alteration, modification, tampering, negligence, misuse, faulty installation, lack of reasonable care, repair or service in any way that is not contemplated in the documentation for the product, or if the model or serial number has been altered, tampered with, defaced or removed; damages that occurs in shipment, due to act of God, failure due to power surge, and cosmetic damage. Improper or incorrectly performed maintenance or report voids this Limited Warranty.

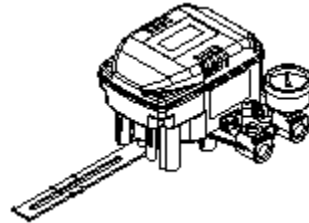
For detailed warranty information, please contact the corresponding local Young Tech Co., Ltd office or main office in South Korea.

Product Description

YT-2300 Smart Valve Positioner accurately controls valve stroke, according to input signal of 4-20mA, which is being input from the controller. In addition, built-in micro-processing operator optimizes the positioner's performance and provides unique functions such as Auto calibration, PID control, Alarm, and Hart protocol.



YT-2300R



YT-2300L

Main Features and Functions

1. LCD display enables users to monitor the status of the positioner.
2. The positioner operates normally even if there are sudden changes in supply pressure and in high vibration environment.
3. The method of Auto Calibration is very simple.
4. Due to the small size of the positioner, it can be installed on a small actuator.
5. Low air consumption level and low voltage use (8.5V) yield to lower operating cost. The positioner is compatible with most of controllers.
6. Variable orifice can minimize the hunting occurrence and optimize operating condition.
7. Various sets of information can be interchanged by HART communication protocol between a valve and a positioner.
8. Valve system becomes more stable by outputting analog feedback signal.
9. Various characteristics of valve can be adjusted - Linear, Quick open, and Equal percentage.
10. Tight Shut-Close and Shut-Open can be set.
11. PID parameters can be adjusted in the field without any additional communicator.
12. A/M Switch can change the flow of the pressure, whether to send directly to actuator or to operate by positioner.
13. Split range 4-12mA or 12-20mA can be set.
14. Hand Calibration function can set Zero and Span values.
15. It has IP66 protection grade.
16. Air filter regulator can be attached with only one linear nipple. It does not require extra piping.
17. Epoxy polyester powder coating resists against the corrosion process.
18. Maintenance of the positioner is easy because of modularized inner structure.

Label Description



Model Number:	Indicates model name and any option (if any).
Explosion Proof:	Indicates the protection grade.
Input Signal:	Indicates current input signal range.
Ambient Temperature:	Indicates ambient temperature for normal operation.
Supply Pressure:	Indicates the range of supply pressure.
Ui, li, Pi, Ci, Li:	See certificates for parameter values of intrinsically safe.
Serial Number:	Indicates unique serial number.

Suffix Symbol

YT-2300 series follows suffix symbols as follows.

YT-2300 1 2 3 4 5 6 7

<input type="checkbox"/> Motion type	L : Linear
	R : Rotary
<input checked="" type="checkbox"/> Acting type	S : Single acting
	D : Double acting
<input checked="" type="checkbox"/> Explosion proof	I : Ex ia IIC T6/T5
<input checked="" type="checkbox"/> Feedback lever (YT-2300L)	1 : 10 ~ 40 mm
	2 : 20 ~ 70 mm
	3 : 50 ~ 100 mm
	4 : 100 ~ 150 mm
Feedback lever (YT-2300R)	1 : M6 x 40L
	2 : M6 x 63L
	3 : M8 x 40L
	4 : M8 x 63L
	5 : NAMUR Standard
<input checked="" type="checkbox"/> Connection type	1 : PT 1/4
	2 : NPT 1/4
	3 : G 1/4
<input checked="" type="checkbox"/> Communication	0 : None
	2 : HART communication
<input checked="" type="checkbox"/> Option	0 : None
	1 : Position transmitter

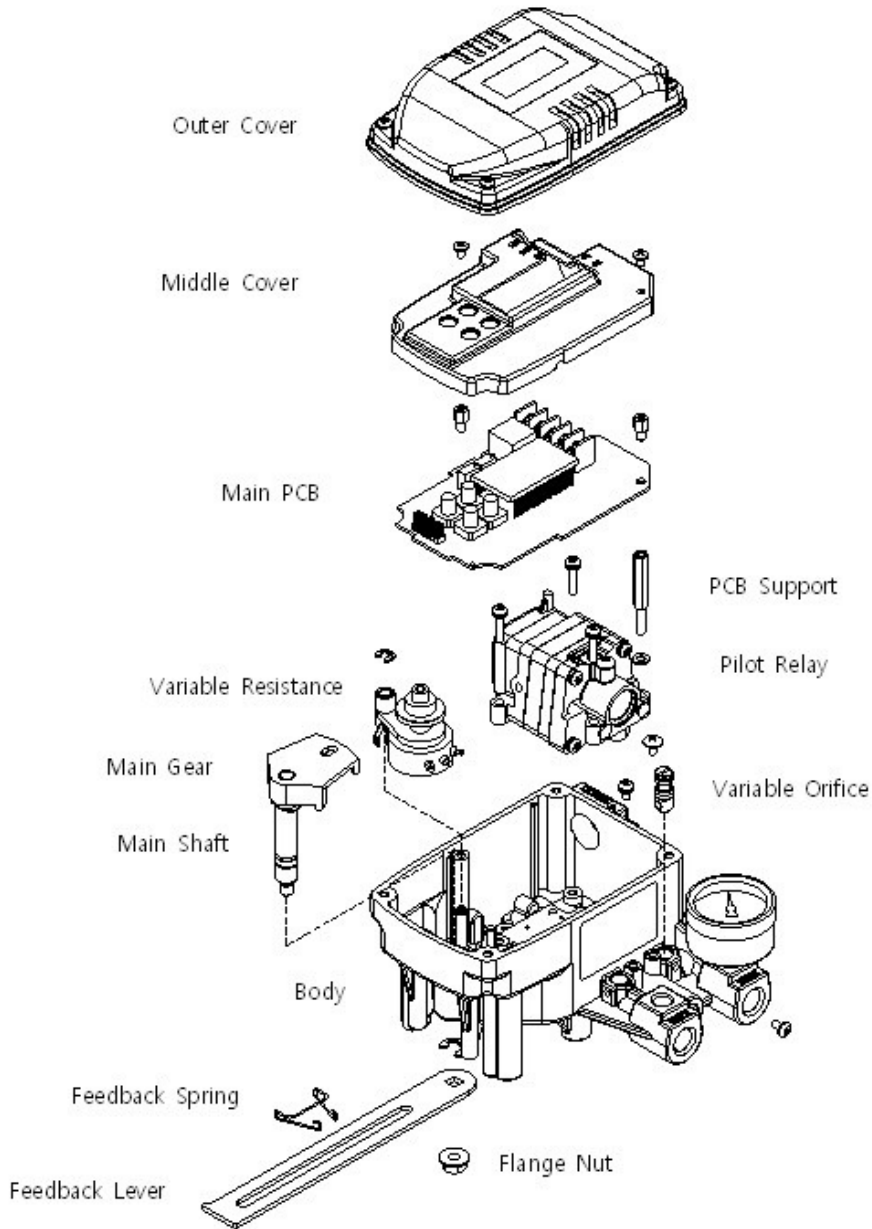
Specification

Model	YT-2300L		YT-2300R	
	Single	Double	Single	Double
Input Signal	4~20 mA DC			
Minimum Current Signal	3.2mA(Standard), 3.8mA(Hart Included)			
Supply Pressure	1.4~7kgf/cm ² (0.14~0.7 MPa)			
Stroke	10 - 150 mm		0 - 90°	
Impedance	Max.500 Ohm/20mA DC			
Air Connection	PT 1/4, NPT 1/4			
Gauge Connection	PT 1/8, NPT 1/8			
Conduit Entry	PF 1/2(Standard), NPT1/2(Option)			
Protection	IP66			
Ambient Temperature	-30~80℃			
Linearity	±0.5% F.S.			
Hysteresis	0.5% F.S.			
Sensitivity	±0.2% F.S.			
Repeatability	0.3% F.S.			
Flow Capacity	70 LPM			
Air Consumption	below 2 LPM (sup=1.4K)			
LCD Temp. Condition	Storage Temp:-30~85℃, Operating Temp:-10~70℃			
Output Characteristic	Linear, Quick Open, EQ%, User Set (16 Point)			
Vibration Effect	No Resonance up to 100Hz at 6G			
Humidity	5-95% RH at 40℃			
Communication (Option)	HART Communication			
Feedback Signal (Option)	4-20mA (DC 10 - 30V)			
Material	Aluminum Diecasting			
Weight	1.5 kg (3.3 lb)			
Finish	Epoxy Polyester Powder Coating			

* Tested under ambient temperature of 20℃, absolute pressure of 760mmHg, and humidity of 65%. Please contact YTC for the more detailed specification.

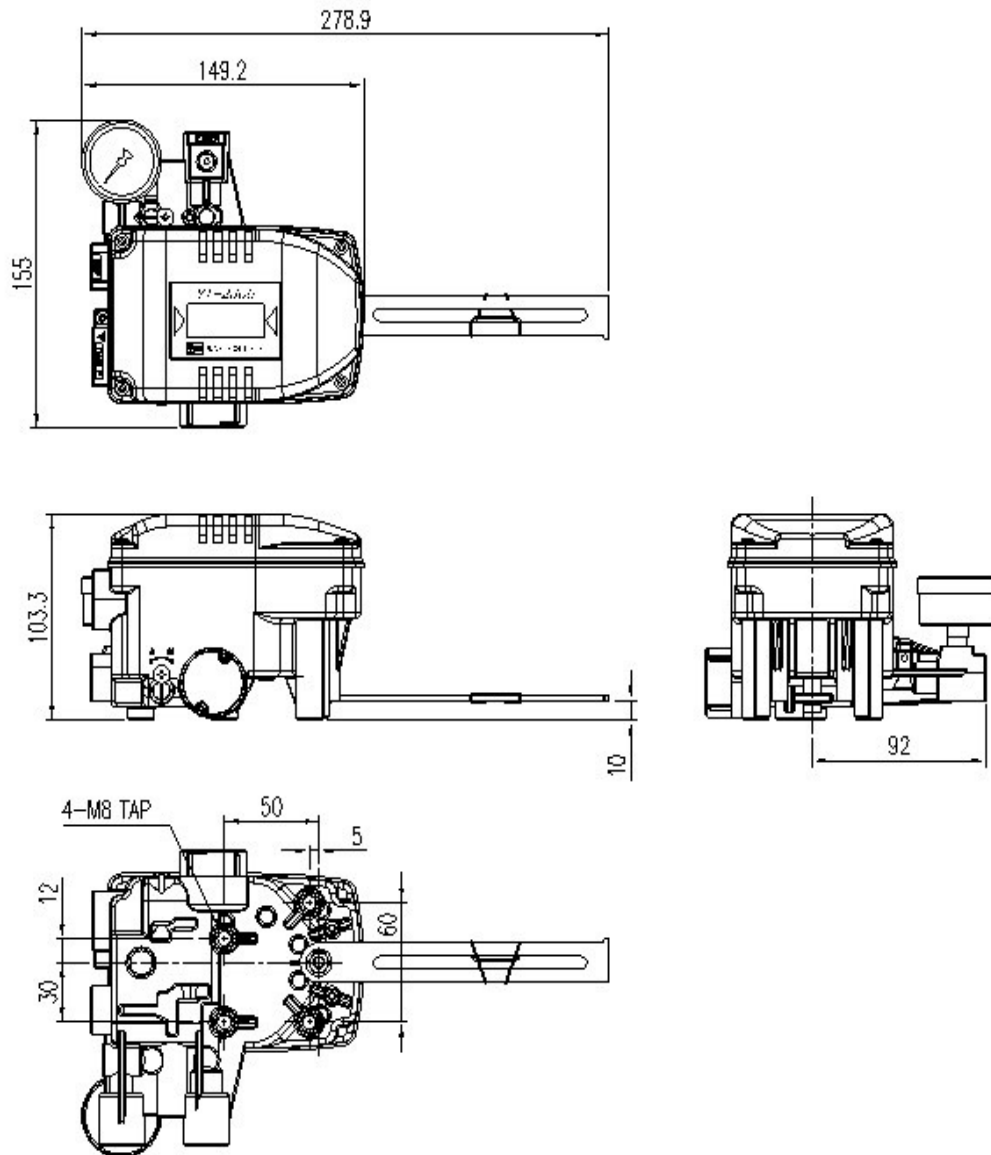
Parts and Assembly

The structure of YT-2300L is as shown <Figure1>. The only difference between YT-2300L and YT-2300R is the feedback lever.

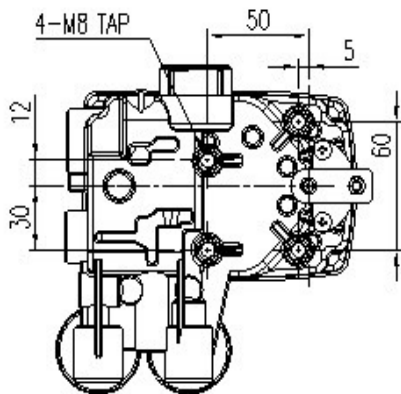
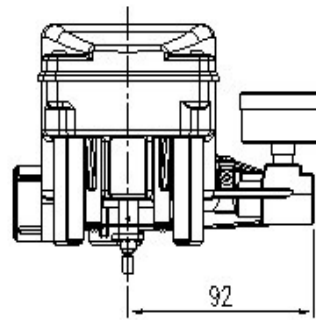
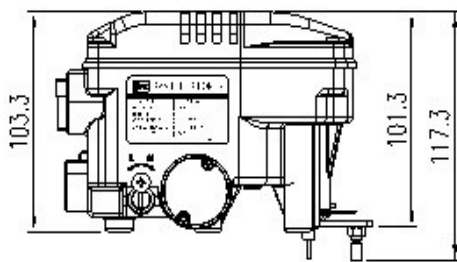
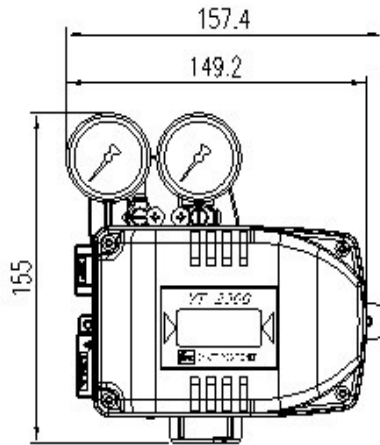


<Figure 1>

Dimensions



<YT-2300L>



<YT-2300R>

* The brackets for attaching on the actuators are made by using these drawings and they are also used for checking piping, etc.

Installation

Safety Warning

When installing a positioner, please ensure to read and follow safety instruction.

All input and supply pressure to valve, actuator, and other related devices must be turned off.

Use bypass valve or other equipment to avoid entire system "shut down."

Make sure there is no remaining pressure in the actuator.

Tools for Installation

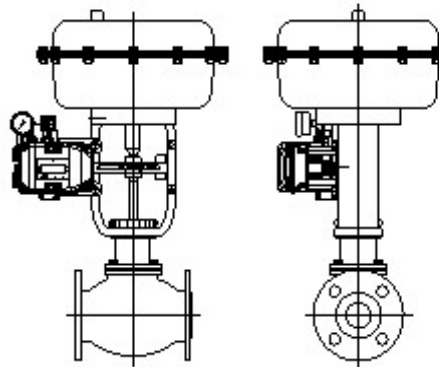
- ① Hexagonal wrench
- ② Screw drivers (+) & (-)
- ③ Spanners for hexagonal-head bolts

YT-2300L Installation

YT-2300L should be installed on linear motion valve such as globe valve or gate valve using spring return type of diaphragm or piston actuator. Before installation, be sure to check for following installation components.

- ① YT-2300 main body
- ② Feedback lever and lever spring
- ③ Flange nut (bottom side of YT-2300L)
- ④ 4 pcs of hexagon head bolts (M8 x 1.25P)
- ⑤ 4 pcs of M8 plate washer

Installation Steps

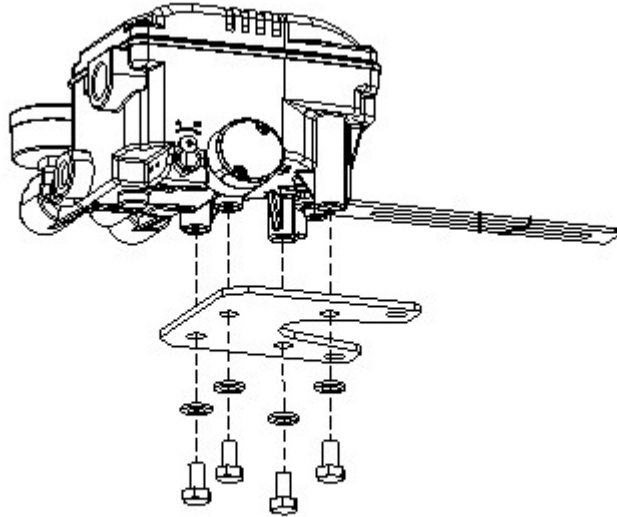


YT-2300L installation example

(1) Proper bracket must be made in order to attach positioner on the actuator yoke. Please consider following when making a bracket.

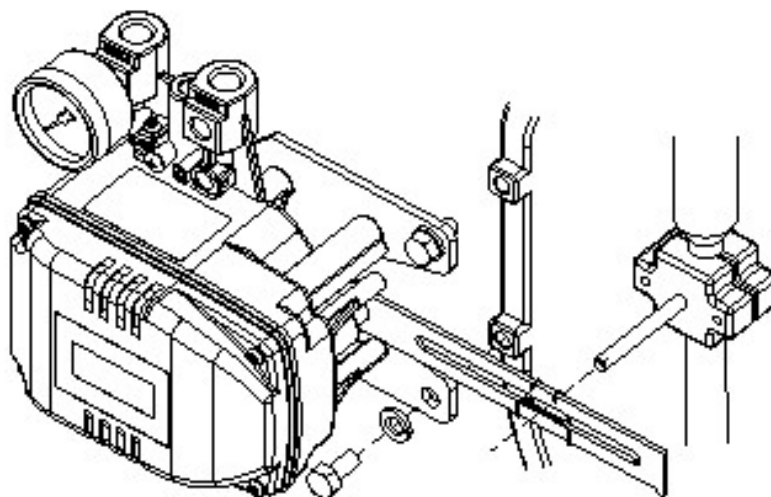
- ① Feedback lever should be leveled at 50% of valve stroke. (Refer to Step 7)
- ② Feedback lever connection bar of actuator clamp should be installed at the positioner that the valve stroke and numbers which indicated on the feedback lever must be fitted. (Refer to Step 8)

-
- (2) Attach YT-2300L to the bracket, which was made in earlier step, by using bolts. <Figure 2> Please refer to backside of the product for size of the bolts. The standard size of bolt is M8 X 1.25P, and other bolt sizes are available. Please contact YTC sales department.



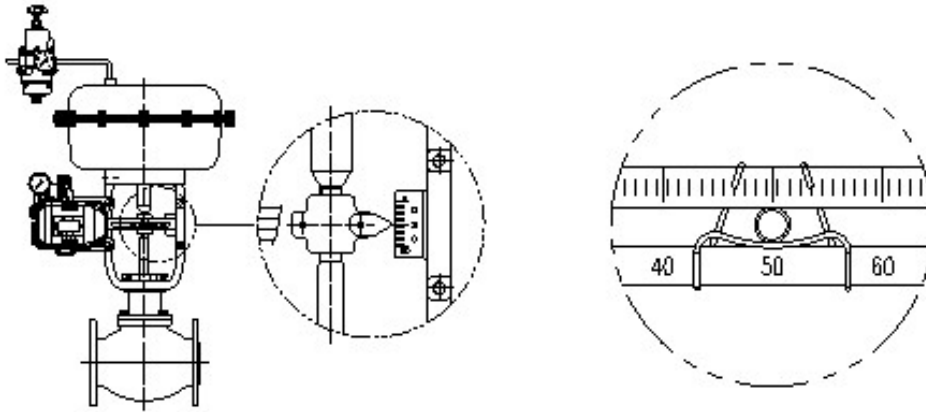
<Figure 2: Installing YT-2300L with bracket>

- (3) Attach YT-2300L (with bracket) to the actuator yoke - DO NOT TIGHTEN COMPLETELY.
- (4) Connect YT-2300L feedback lever to the actuator clamp. The gap on the YT-2300L feedback lever is 6.5mm. The connection bar thickness should be less than 6.3mm. <Figure 3>



<Figure 3>

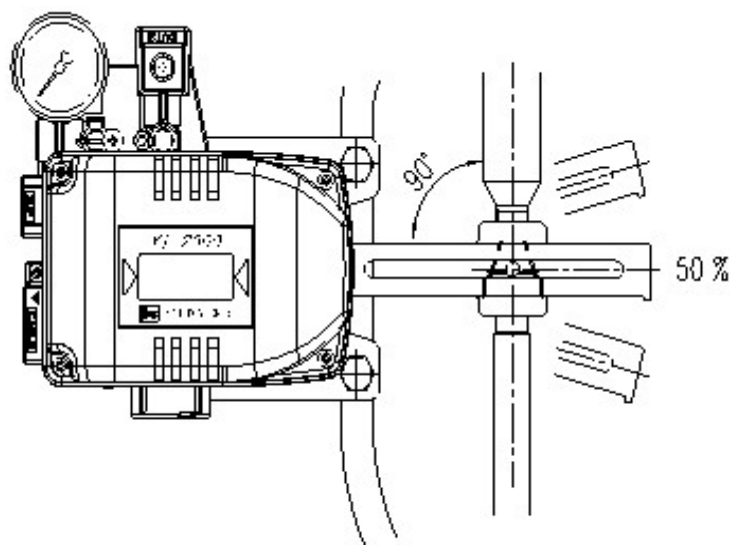
-
- (5) Connect air filter regulator to the actuator temporarily. Set supply pressure of the regulator in order to position the actuator clamp at 50% of valve stroke. <Figure 4>



<Figure 4>

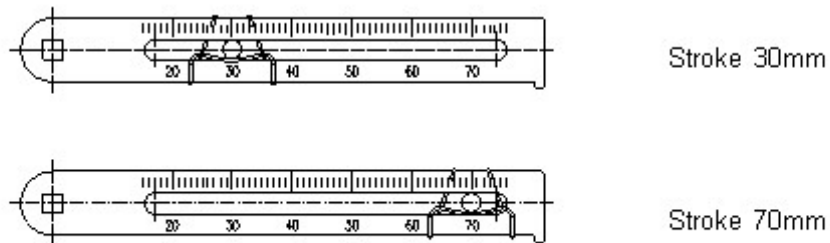
<Figure 5>

- (6) Insert connection bar into the YT-2300L feedback lever. The connection bar should be inserted at the 50% point on the feedback lever, which would help to reduce hysteresis. <Figure 5>
- (7) If connection bar does not point at 50% point, then adjust bracket or feedback link bar position. Failure to position at 50% would lower the linearity of the positioned <Figure 6>



<Figure 6>

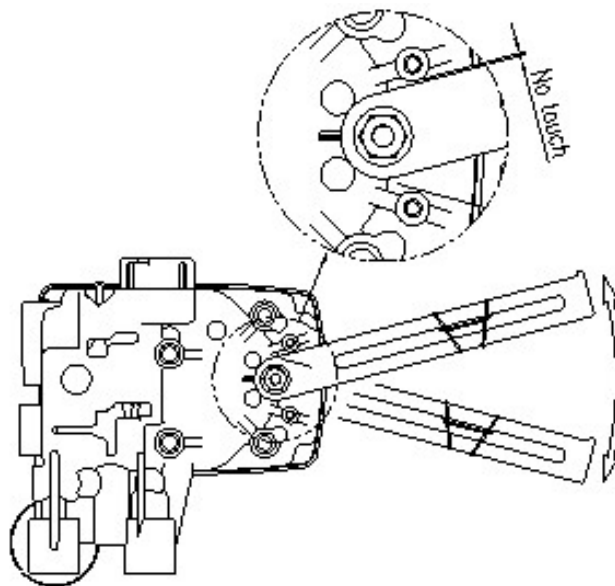
-
- (8) Check valve stroke. The stroke numbers are indicated on the feedback lever. Position connection bar at the number on the feedback lever according to the valve stroke. <Figure 7> To adjust, move the bracket or the connection bar.



<Figure 7>

Note

After installing YT-2300L, operate the valve from 0% to 100% stroke by using air filter regulator on the actuator. Both at 0% and 100%, the feedback lever should not touch the lever stopper, which is located on the backside of YT-2300L. <Figure 8> If the feedback lever touches the lever stopper, YT-2300L should be installed further away from the center of the yoke.



<Figure 8>

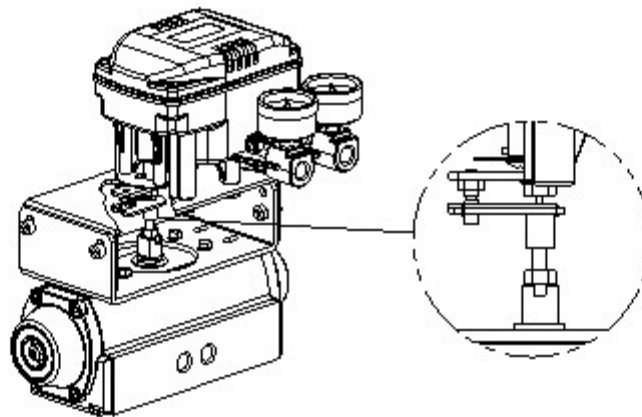
- (9) After the proper installation, tighten all of the bolts on the bracket, the feedback lever, and the connection bar.

YT-2300R Installation

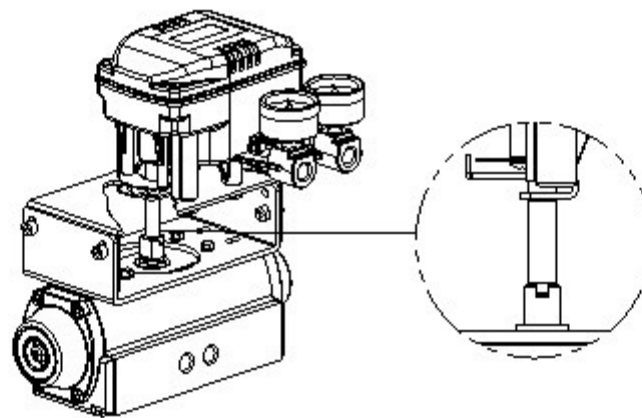
YT-2300R should be used for rotary motion valve, that is ball valve, butterfly valve using rack and pinion, scotch yoke or complex type actuator, which its stem rotates 90 degrees. Before installation, be sure to check for following installation components.

- ① YT-2300R main body
- ② Fork lever and lever spring
- ③ 1 set of bracket
- ④ 4 pcs of hexagon head bolts (M8 x 1.25P)
- ⑤ 4 pcs of M8 plate washer

YT-2300R Installation Example



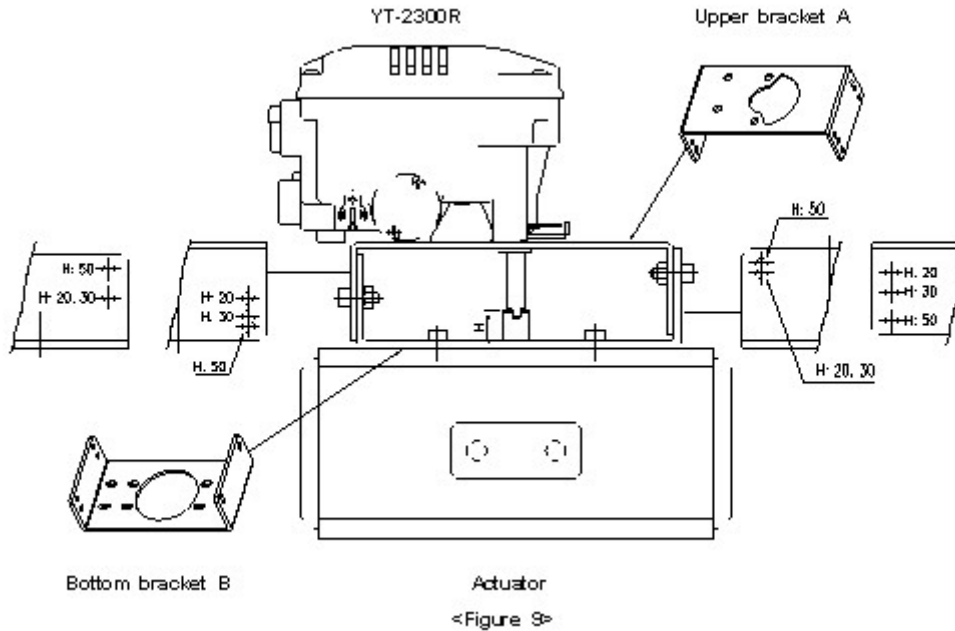
YT-2300R on Fork Lever



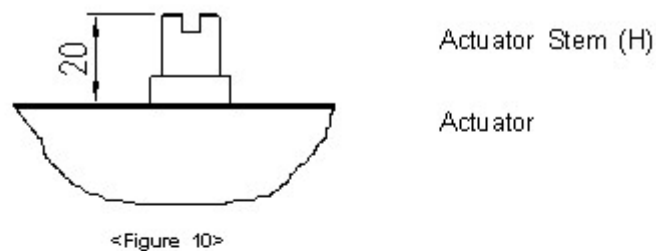
YT-2300R on NAMUR Lever

Bracket Information

YT-2300R is supplied with standard bracket. The bracket can be used for Fork lever and NAMUR bracket. Please see <Figure 9, 10, & 11> for more detailed information.



- 1) Standard actuator stem height (H) is 20, 30, or 50mm. After checking "H", assemble with the bracket as shown in <Figure 9, 10, & 11>

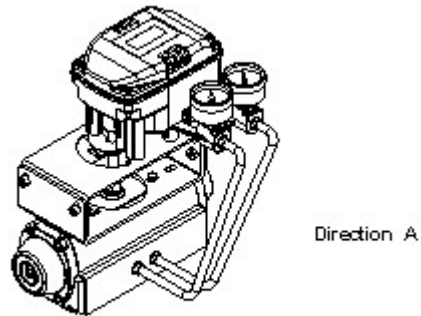


Actuator stem height (H)	Markings of bolt holes			
	A-L	B-L	A-R	B-R
20mm	H : 20	H : 20, 30	H : 20	H : 20, 30
30mm	H : 30	H : 20, 30	H : 30	H : 20, 30
50mm	H : 50	H : 50	H : 50	H : 50

<Figure 11>

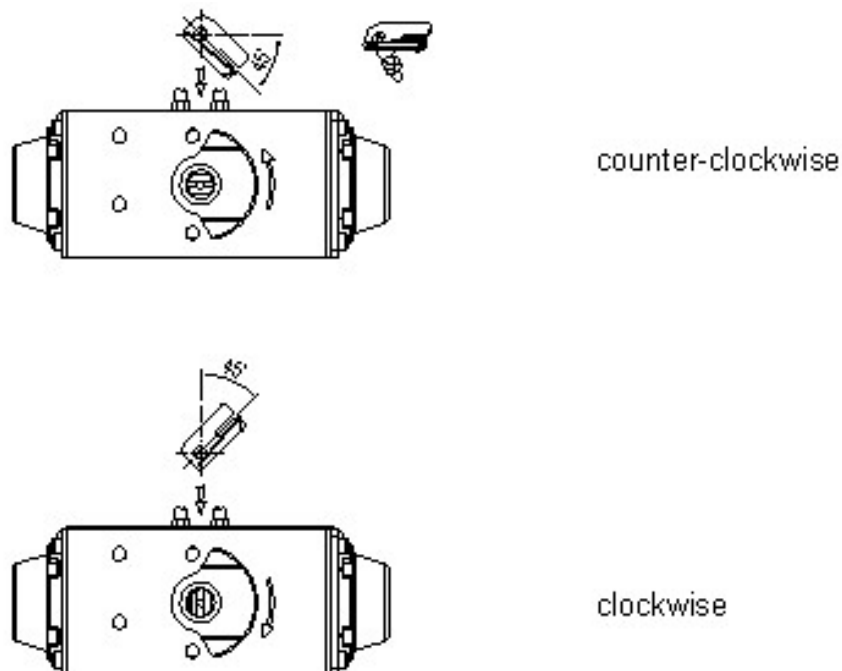
* For example, when "H" is 30mm, A-L should be locked with H:30 hole and B-L in H:20,30, A-R with H:30 and B-R with H:20,30 marking.

-
- 2) Attach bracketed YT-2300R to the actuator by using hexagon-headed and wrench bolts. Size of the bracket hole is 6mm. When tightening bolts, please use spring washer or similar for firm attachment to the actuator, so YT-2300R will not be affected by vibration or any other impact. The direction of bracket is different by the operating condition, but normally, the positioner is installed as shown in <Figure 12>.



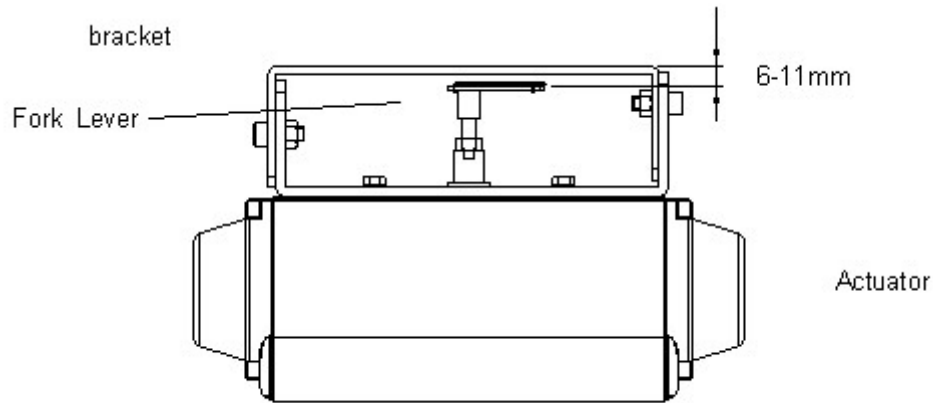
<Figure 12>

- 3) Set rotation position of the actuator stem at zero point, "0%". For a single type of actuator, it is easy to check zero point, because the actuator stem is positioned at zero point when there is no supply pressure. If double acting actuator is used, check actuator stem's rotation direction (clockwise or counter-clockwise) by supplying pressure.
- 4) Install the fork lever as shown in <Figure 13> after setting actuator stem at zero point. Check the direction of the actuator stem - clockwise or counter-clockwise. Installation angle of the fork lever should be 45 degrees based on the linear shaft. For NAMUR shaft, the angle does not matter.



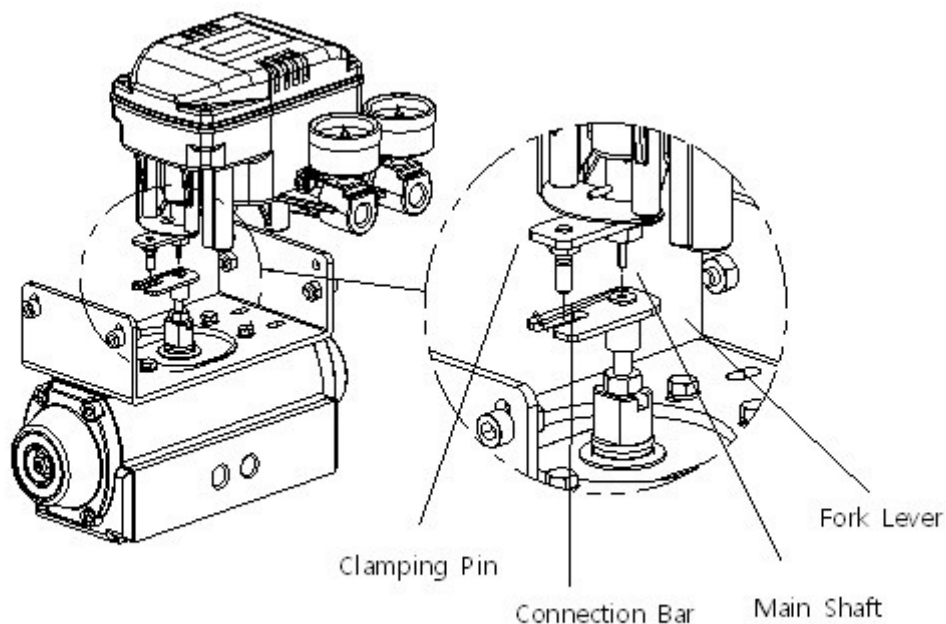
<Figure 13>

-
- 5) After setting fork lever position, assemble lock nuts which are located on the bottom of the fork lever. Make sure to set the height of upper fork lever between 6-11mm, which is lower than upper bracket height. <Figure 14>



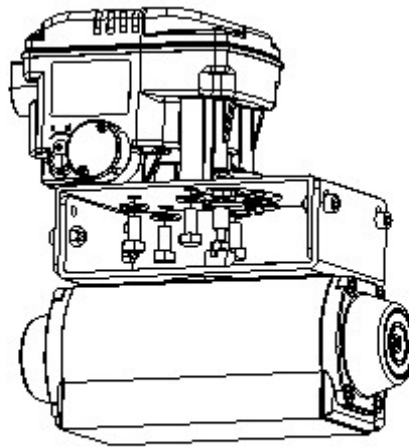
<Figure 14>

- 6) Attach YT-2300R to the bracket. Fix the clamping pin on the main shaft's center of YT-2300R and insert connection bar into the fork lever slot, so it can be locked to the fork lever spring. This sets the alignment of the main shaft of YT-2300R and center of the actuator stem. Bad alignment of the main shaft and the actuator stem lowers YT-2300R's durability, because too much force will be on the main shaft of YT-2300R. <Figure 15>



<Figure 15>

-
- 7) Tighten YT-2300R base and the bracket with hexagon-headed bolts and plate washer. It is recommended to tighten four bolts after checking YT-2300R's position. <Figure 16>



<Figure 16>

Connection

Connection - Piping

Note

To avoid entering moisture, oil, or dust into the product, please carefully make selection of supply pressure compressor.

It is recommended to attach air filter regulator before supply port of YT-2300R.

Supply Pressure Condition

- ① Dry air with at least 10°C lower than ambient temperature.
- ② Avoid from dusty air. Filter can only sort 5 micron or larger.
- ③ Avoid any oil.
- ④ Comply with ANSI/ISA-57.3 1975(R1981) or ISA 57.3-1975(R1981).
- ⑤ Not to be used beyond the range of 1.4 - 7 kgf/cm²(140 - 700 kPa).
- ⑥ Set air filter regulator's supplied pressure 10% higher than actuator's spring range pressure.

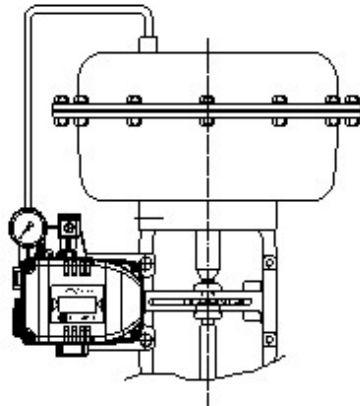
Pipe Connection

- ① Make sure inside of pipe is emptied.
- ② Do not use pipeline that is squeezed or has hole.
- ③ To maintain flow rate, use the pipeline that has more than 6mm inner diameter. (10mm outer diameter)
- ④ Do not use extremely long pipeline system. It may affect flow rate due to the friction inside of the pipeline.

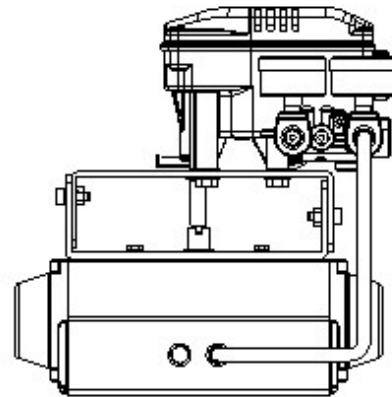
Piping Connection with Actuator

Single acting actuator

YT-2300 series single acting type is set to use OUT1 port. OUT1 port should be connected with supply pressure port from actuator when using single acting type of spring return actuator. <Figure 17 & 18>



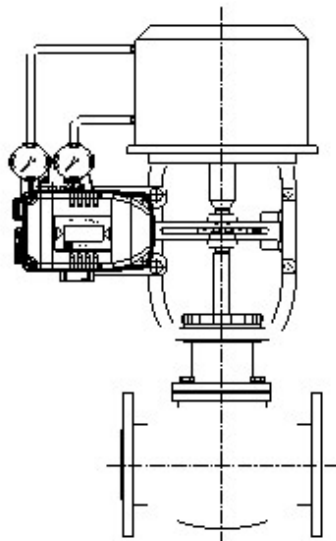
<Figure 17: YT-2300L>



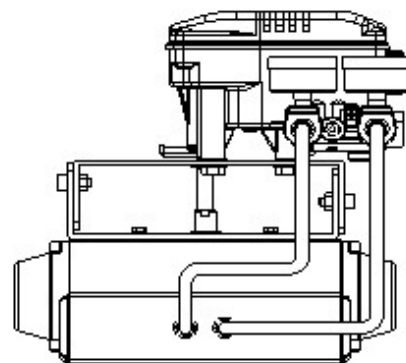
<Figure 18: YT-2300R>

Double acting actuator

For YT-2300 series double acting type, when inputting current signal, supply pressure is out from OUT1. Please refer to <Figure 19 & 20>



<Figure 19: YT-2300L>



<Figure 20: YT-2300R>

Connection - Power

Note

Before connecting terminal, please make sure that power is off completely.

Use ring type terminal to protect against oscillation or other impacts.

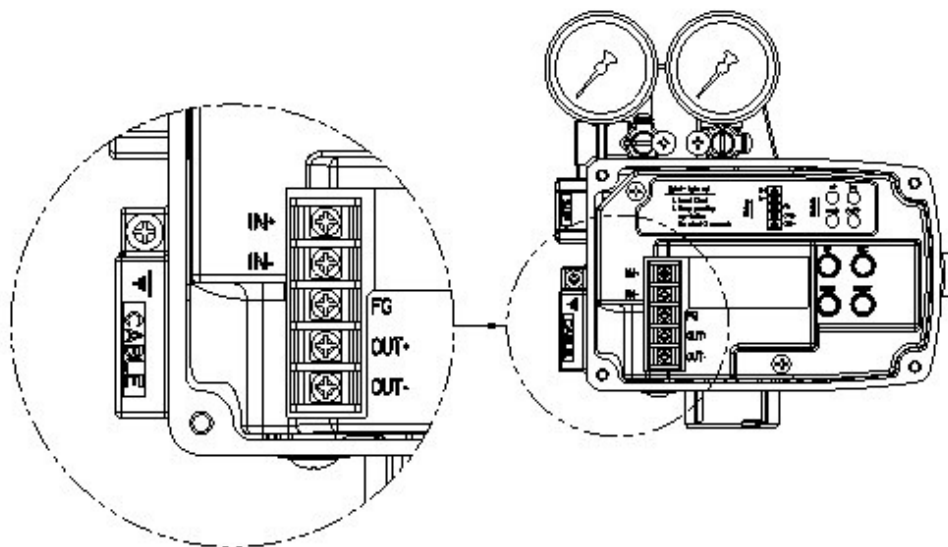
YT-2300 series (except internal PTM type) must use DC 4-20mA. Minimum supply current should be 3.2mA for standard YT-2300, and minimum 3.8mA should be supplied for YT-2300 with HART communication. The power should not exceed 24mA.

For YT-2300 series with PTM option, separate power should be supplied to PTM. The voltage should be between 9~27V and not exceeding 30V.

YT-2300 must be grounded.

Please use twisted cable with conductor section area 1.25 mm² and that is suitable for 600V (complying to the conductor table of NEC Article 310.) The outer diameter of the cable should be between 6.35~10mm. Use shield wire to protect against electro-magnetic field and noise.

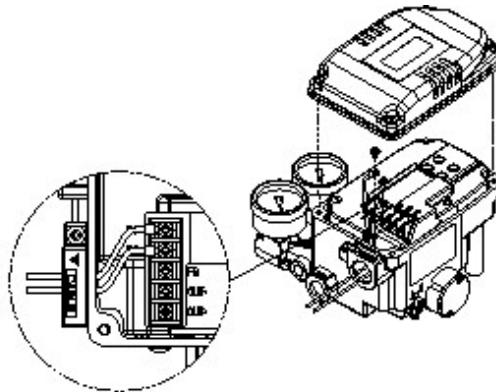
Please do not install positioner the cable near the equipments such as high-capacity transformer or motor which creates noise.



<Figure 21: Terminal box>

Connection - Terminals

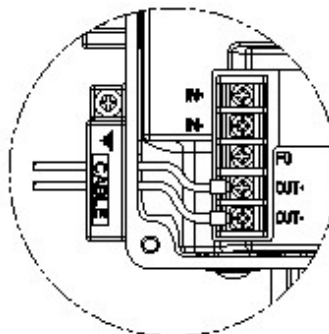
- 1) Open product cover by opening 4 M4 bolts.
- 2) Loose terminal locking bolts on the terminal plate which receives current input signal.
- 3) Insert cables through cable connector in YT-2300.
- 4) Use ring type when connecting terminals in order to lock completely.
- 5) Insert terminal bolts through the holes and lock them with (+) and (-) terminals on the terminal plate. Tighten bolts with 1.5Nm (15kfgcm) torque.
- 6) Be sure the polarities of terminals are properly connected.



<Figure 21: Terminal box>

Connection - Feedback Signal

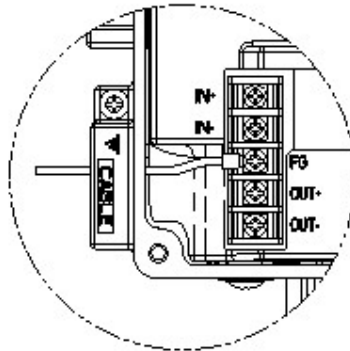
- 1) Open product cover by opening 4 M4 bolts.
- 2) Loose terminal locking bolts of feedback signal for position transmitter on terminal plate.
- 3) Insert cables through cable connector in YT-2300.
- 4) Use ring type when connecting terminals in order to lock completely.
- 5) Insert terminal bolts through the holes and lock them with (+) and (-) terminals on the terminal plate. Tighten bolts with 1.5Nm (15kfgcm) torque.
- 6) Be sure the polarities of terminals are properly connected.



<Figure 22: Position Transmitter Terminals>

Connection - Ground

- 1) Ground must be done before operating YT-2300.
- 2) Inside of the terminal box, locate ground terminal plate at the center of terminal plate. <Figure 23> Use any type of ground terminal with the resistance less than 100hm.



<Figure 23: Ground Terminal>

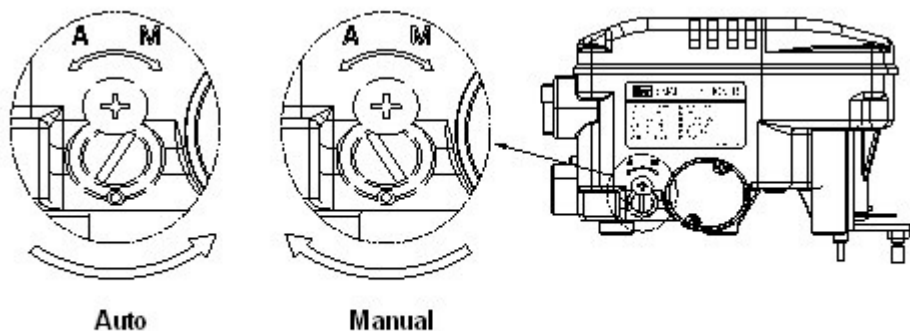
- 3) Make sure to use ring type ground cable in order to lock them completely.

Adjustment

Adjustment - A/M Switch (Auto/Manual Switch)

On the bottom of the YT-2300 body, there is A/M Switch (Auto/Manual). If the switch is set as "A" (Auto), then the supply pressure will be transferred through YT-2300 operation. If the setting is "M" (Manual), then the pressure from the air filter regulator will directly supplied to the actuator regardless of YT-2300 operation. It is extremely important to check the pressure level when the switch is set as "M" (Manual). <Figure 24>

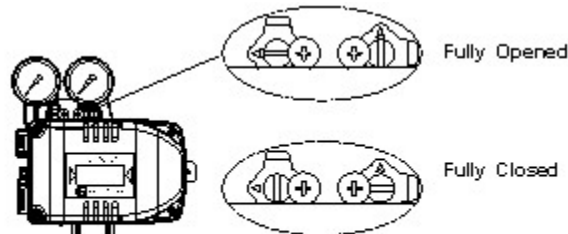
- ① Check whether the supply pressure of air filter regulator is too high.
- ② Turn the switch clockwise to set as "A" and turn counter-clockwise to set as "M" <Figure 24>



<Figure 24: A/M Switch Adjustment>

Adjustment - Variable Orifice

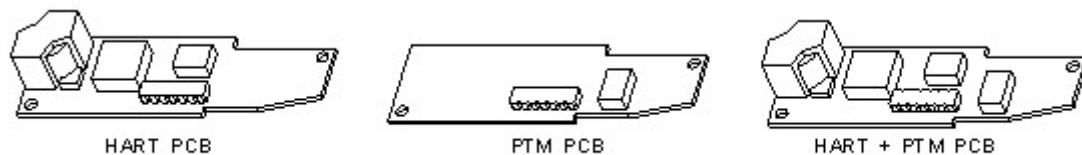
Hunting can be occurred when the actuator's volume is too small. In order to prevent hunting, orifice can be adjusted. By adjusting orifice, the flow rate of supply pressure to actuator can be adjusted. To adjust, use (-) driver to control the orifice. <Figure 25>



<Figure 25: Variable Orifice Adjustment>

Adjustment - Option Modules PCB (PTM/HART)

Position Transmitter (PTM), HART Communication (HART), or PTM+HART option can be installed on standard YT-2300 series PCB. Please refer to <Figure 26> for each option's PCB.



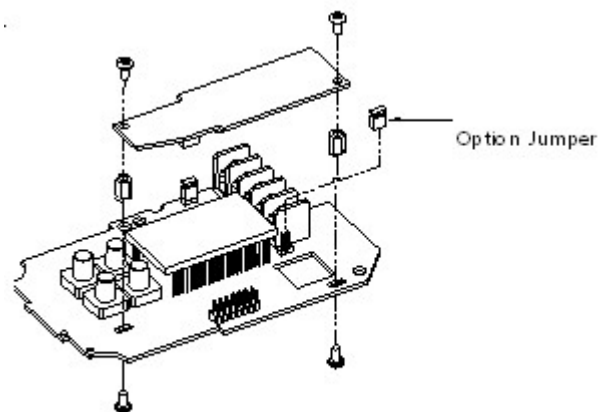
<Figure 26: PCB for Each Options>

After purchasing PCB Option Adder Package, please make sure that the box contains following components.

- ① Locking bolts (4 pcs)
- ② PCB support (2 pcs)
- ③ PCB module (1 pc)

Please install the PCB modules as follows.

- (1) Open the cover and separate main PCB board from the body.
- (2) Refer to <Figure 27>, and lock 2 bolts on the bottom with PCB supports.
- (3) Insert 14-pins to the 14-pins lot completely.
- (4) Lock another 2 bolts on the top of the PCB.
- (5) Re-install main PCB on the main body.



<Figure 27>

*** When HART option PCB installed on the main PCB, please make sure to REMOVE option jumper <Figure 27>**

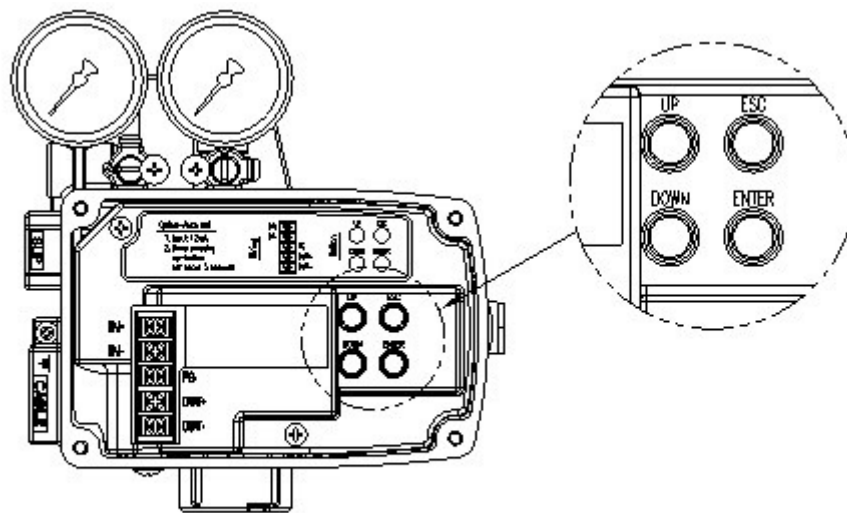
Auto Calibration and Basic Operation

Note

Following process will operate valve and actuator. Before starting Auto Calibration, please separate valve from the entire system, so Auto Calibration will not affect entire valve process.

Button Description

YT-2300 series has 4 buttons and enable to perform various functions. Please refer to <Figure 28> and table for further description..



<Figure 28>

Button	Function
<ENTER>	Enter to main menu and sub-menus, save adjusted parameter values, etc.
<ESC>	Return to previous menu.
<UP> & <DOWN>	Move to next menu, change parameter values, etc.

Run Mode (RUN)

After the power connection to YT-2300 series, following message will appear on LCD screen within 6 seconds. <Figure 29>



<Figure 29: LCD Message>

"RUN" indicates that YT-2300 adjusts valve stroke with receiving signals (4~20mA) and "PV" indicates the process value. In RUN mode, the valve stroke continuously changes according to the input signal. There are six types of display message in RUN mode. <Figure 30>

①	Run <i>P.V.</i>	Process Value	Valve Stroke (%)
②	Run <i>S.V.</i> %	Set Value	Input Signal (0~100%)
③	Run <i>S.V.</i> mA	Set Value	Input Signal (4~20mA)
④	Run MV	Manipulate Value	Motor Manipulate Value (Digit)
⑤	Run <i>V.g.</i>	Velocity	Current Valve Stem's Velocity (Digit)
⑥	Run Err	Error	Difference between <i>S.V.</i> and <i>P.V.</i> (%)

<Figure 30: Type of display message>

To change display, push <ESC> and <UP> at same time. The display will change in order indicated above. If <ESC> and <DOWN> pushed simultaneously, the order will be displayed in opposite order. By pressing <ESC>, the display will return to RUN Mode.

Auto Calibration (AUTO CAL)

Auto Calibration (Auto Cal) automatically calibrates YT-2300 in very simple manner. Auto Cal process takes about 2~3 minutes, and the duration of the process varies upon the size of the actuator as well. There are 3 types of Auto Cal. <Figure 31>

	Zero Point	End Point	<i>KP</i> , <i>KI</i> , <i>KD</i>	RA / DA
AUTO1	○	○	×	×
AUTO2	○	○	○	○
AUTO3	×	×	○	○

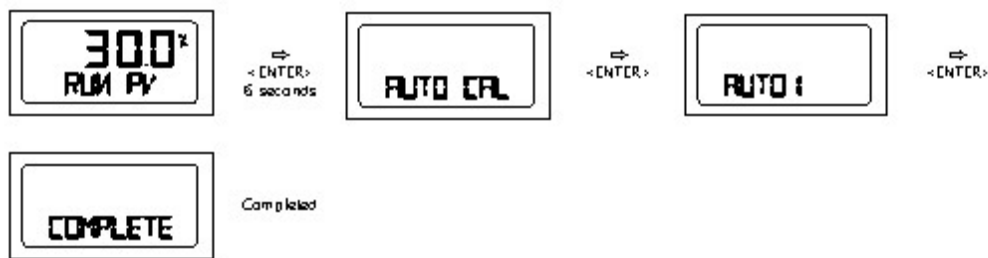
<Figure 31>

* It is recommended to calibrate the positioner under AUTO2 when setting the system initially.

Auto 1 Calibration

Auto 1 Calibration is mainly used when YT-2300 has not been set. The parameter which needs to be calibrated in order for valve system to operate, will be calibrated; however, KP, KI, and KD values do not change. <Figure 32>

- ① After connecting power, "READY 6,5,4,3,2,1" message will be appeared on LCD screen.
- ② Push <ENTER> button for 6 seconds at RUN mode and AUTO CAL message will be appeared.
- ③ Push <ENTER> and AUTO1 mode will be displayed.
- ④ Push <ENTER> and AUTO1 will be started.
- ⑤ After several minute, COMPLETE message will be appeared to indicate that AUTO1 calibration has been completed.



<Figure 32: AUT 01 Calibration>

Auto 2 Calibration

Auto 2 Calibration sets all of the parameter which needs to be calibrated in order for valve system to operate. **Auto 2 Calibration is recommended when YT-2300 is first installed on the valve system.** <Figure 33>

- ① After connecting power, "READY 6,5,4,3,2,1" message will be appeared on LCD screen.
- ② Push <ENTER> button for 6 seconds at RUN mode and AUTO CAL message will be appeared.
- ③ Push <ENTER> and AUTO1 mode will be displayed.
- ④ Push <DOWN> and AUTO2 mode will be displayed.
- ⑤ Push <ENTER> and AUTO2 will be started.
- ⑥ After several minute, COMPLETE message will be appeared to indicate that AUTO2 calibration has been completed.

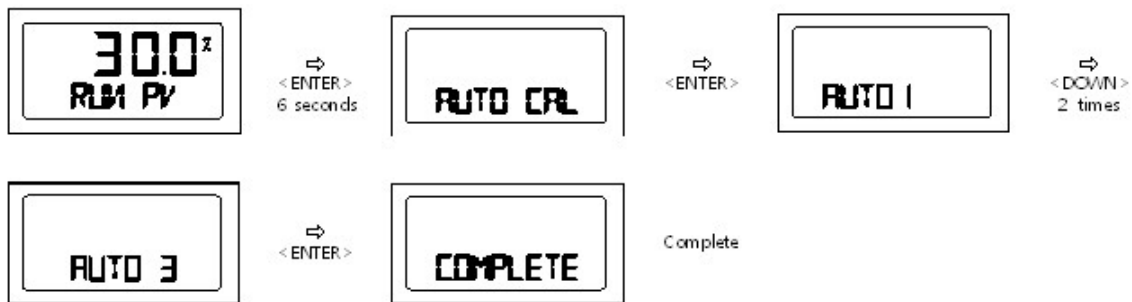


<Figure 33: AUTO2 Calibration>

Auto 3 Calibration

Auto 3 Calibration sets all of the parameters, but it does not change the zero and end point. It is recommended to manually set zero and end point first. <Figure 34>

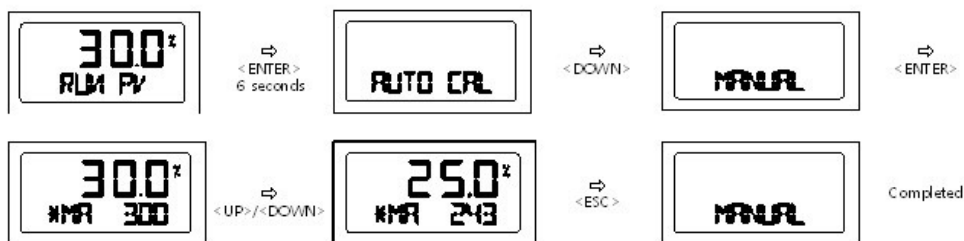
- ① After connecting power, "READY 6,5,4,3,2,1" message will be appeared on LCD screen.
- ② Push <ENTER> button for 6 seconds at RUN mode and AUTO CAL message will be appeared.
- ③ Push <ENTER> and AUTO1 mode will be displayed.
- ④ Push <DOWN> button twice, and AUTO3 mode will be displayed.
- ⑤ Push <ENTER> and AUTO3 will be started.
- ⑥ After several minute, COMPLETE message will be appeared to indicated that AUTO3 calibration has been completed.



<Figure 34: AUTO3 Calibration>

Manual Mode (MANUAL)

MANUAL MODE is used to move valve stem manually. During MANUAL MODE, YT-2300 moves valve stroke not by input signal. The movement of the stroke does not affect YT-2300 saved data values, and it moves valve strokes up/down physically. <Figure 35>



<Figure 35: MANUAL MODE>

Tip when increasing/decreasing value

<UP> only	Increase stem value slowly
<UP> + <ENTER>	Increase stem value quickly
<DOWN> only	Decrease stem value slowly
<DOWN> + <ENTER>	Decrease stem value quickly

Parameter Mode (PARAM)

AUTO CAL optimizes most of the valve actuator controls. However, in some instances, there can be exceptions. Usually hunting or oscillation occurs when the valve actuator controls has not been optimized. When this occurs, hunting or oscillation can be prevented by adjusting parameter values and/or DeadZone.

4 Types of Parameter and Adjustment

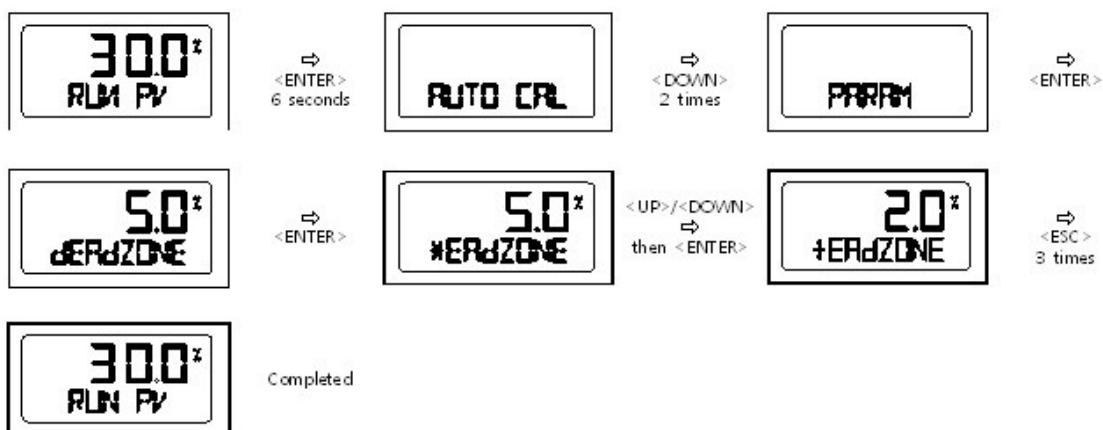
- ① Dead-Zone (dEAdZONE)
- ② P-value (KP)
- ③ I-value (KI)
- ④ D-value (Kd)

Note

When parameter values are changed, the positioner shows the status of the changes in real-time. In another words, you do not need to return to the RUN mode to observe the adjustments. However, in order to save the change, <ENTER> button must be pressed.

Dead-Zone (dEAdZONE)

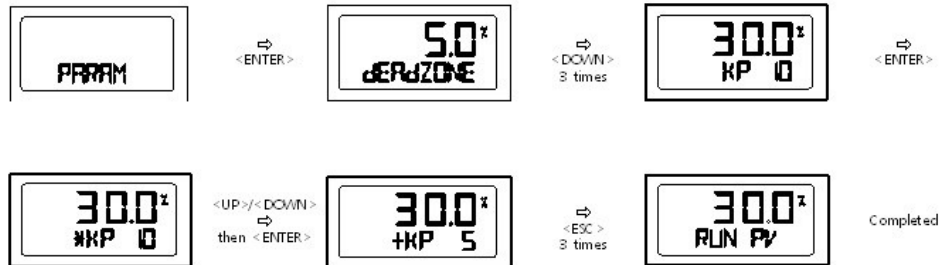
Dead-Zone indicates the percentage of error allowance. When there is high level of packing friction, hunting or oscillation can be occurred. In this case, by adjusting Dead-Zone, hunting or oscillation can be prevented. <Figure 36>



<Figure 36: Adjusting Dead-Zone>

P-Value (KP)

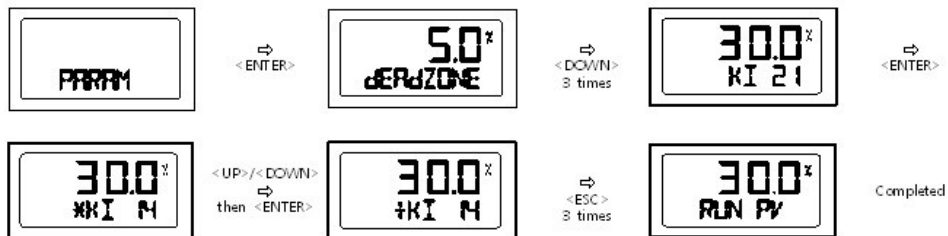
P-value indicates the ratio of the compensation signal based on the percentage of error allowance. As KP increases, the positioner finds the target value quickly, but it is more likely to have hunting occurred. As KP decreases, the positioner finds the target value rather slowly, but it is less likely to occur hunting. <Figure 37>



<Figure 37: Adjusting P-Value>

I-Value (KI)

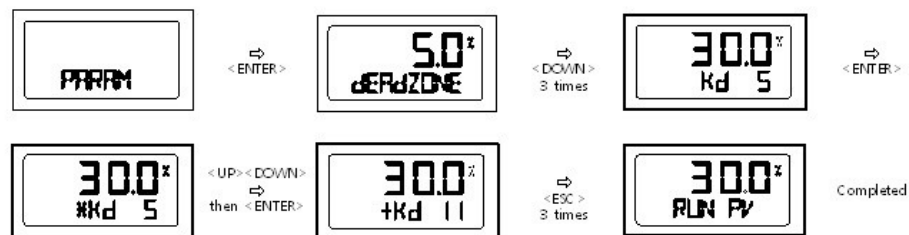
I-value indicates the differential value which will be added on to the compensation signal based on the percentage of error allowance. As KI increases, oscillation can be occurred more likely, and as it decreases, the duration to find target point gets longer. <Figure 38>



<Figure 38: Adjusting I-Value>

D-Value (KD)

D-value indicates the differential value which will be added on the previous compensation signal based on the percentage of error allowance. As KD increases, hunting can be occurred more likely, and as it decreases, it can result in low dynamic characteristic. <Figure 39>



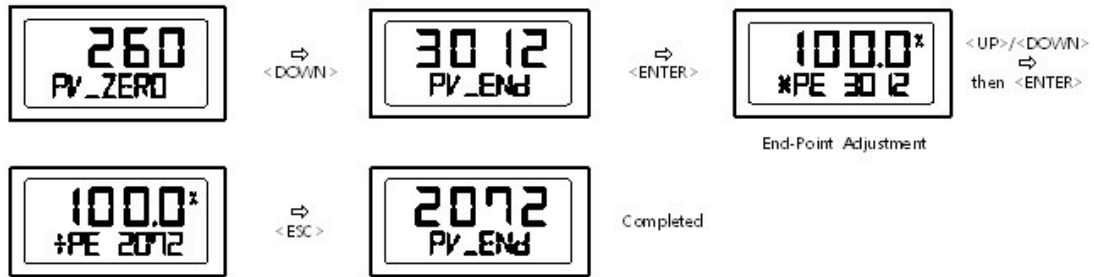
<Figure 39: Adjusting D-Value>

Hand Calibration Mode (HAND CAL)

When user wants to confirm the calibration of the positioner after AUTO Calibration has been completed, user can manually calibrate the positioner as well by entering into Hand Calibration Mode.

Zero-Point (PZ_ZERO) and End-Point (PZ_END) for Valves

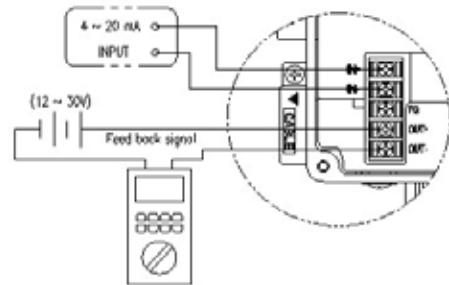
In PZ_ZERO mode, the zero point of valve can be adjusted, and in PV_END mode, the end point of the valve can be adjusted. <Figure 40>



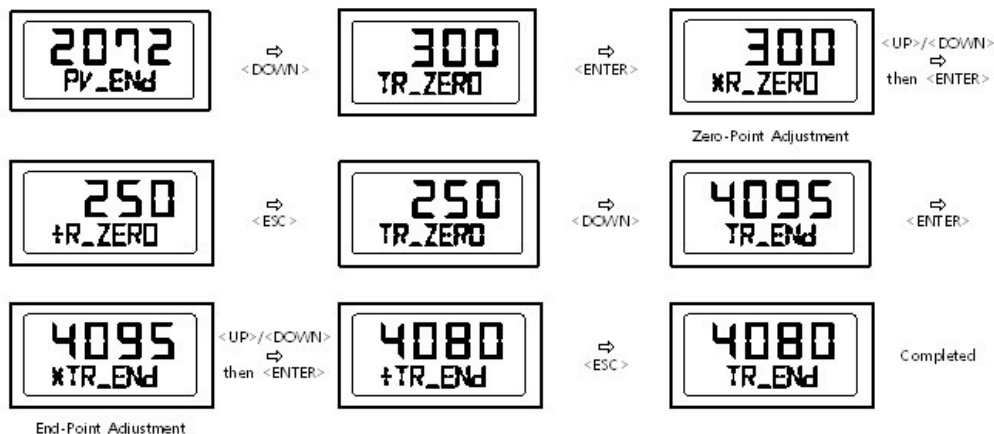
<Figure 40: PZ_ZERO and PZ_END Adjustment>

Zero-Point (TR_ZERO) and End-Point (TR_END) for Transmitter

In TR_ZERO mode, the zero point of transmitter can be adjusted, and in TR_END mode, the end point of the transmitter can be adjusted. These points should be adjusted when output signal is not constant, and/or the user wants to set transmitter output signal and actual stroke not equally. The connection should be done as shown in <Figure 41> and the procedure can be done as shown in <Figure 42>



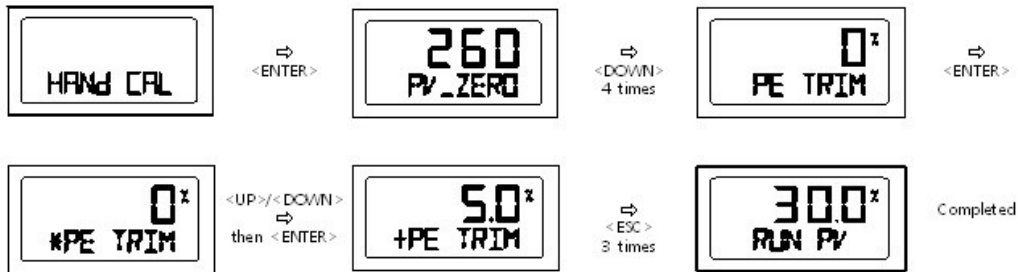
<Figure 41: Connection>



<Figure 42: TR_ZERO and TR_END Adjustment>

End-Point Ratio for Valve (PE TRIM)

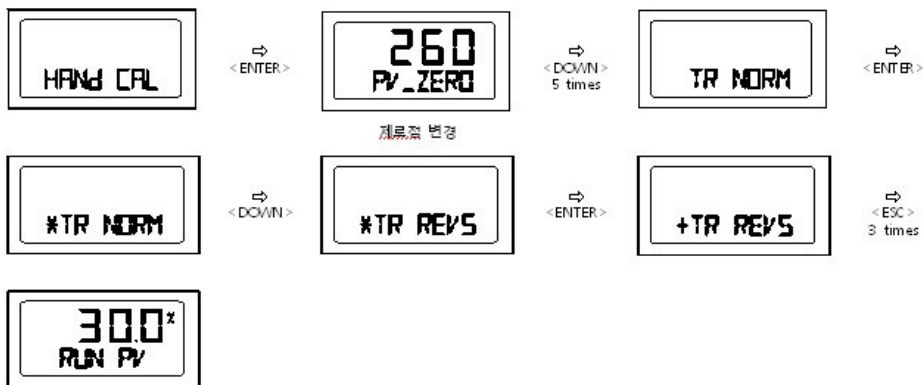
When RA actuator is used, End-Point can be adjusted within 10% of total stroke, without adjusting valve's Zero-Point. <Figure 43>



<Figure 43: PE_TRIM Adjustment>

Normal/Reverse Feedback Signal (TR_NORM/REV)

The feedback signal from position transmitter can be viewed as normal or as reverse. For example, actual input signal of 4mA can be viewed as output signal of 20mA. <Figure 44>

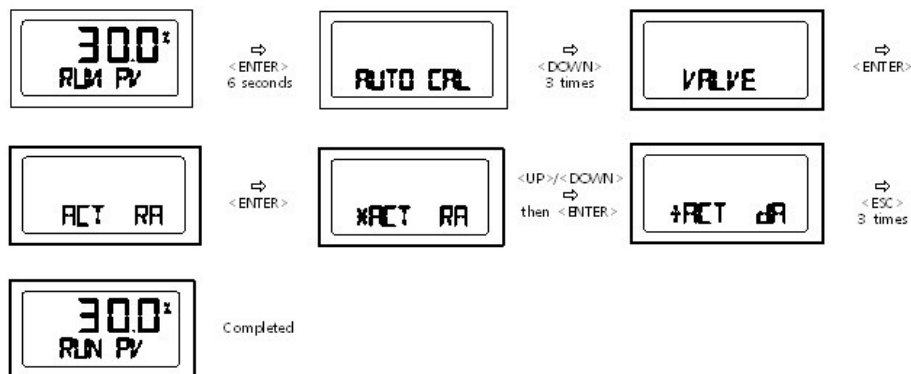


<Figure 44: TR_NORM/REV>

Valve Mode (VALVE)

Acting Adjustment (ACT)

The positioner can be set as D/A (Direct Action) or R/A (Reverse Action.) <Figure 45>



<Figure 45: D/A or R/A Adjustment>

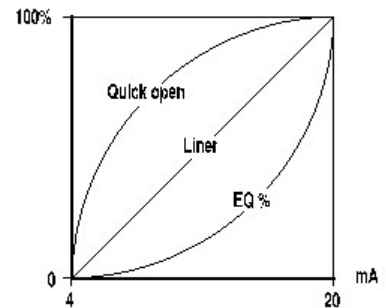
Characteristics Adjustment (CHAR)

The positioner's characteristics can be set depends on user's preference. <Figure 47>



<Figure 47: Characteristics Adjustment>

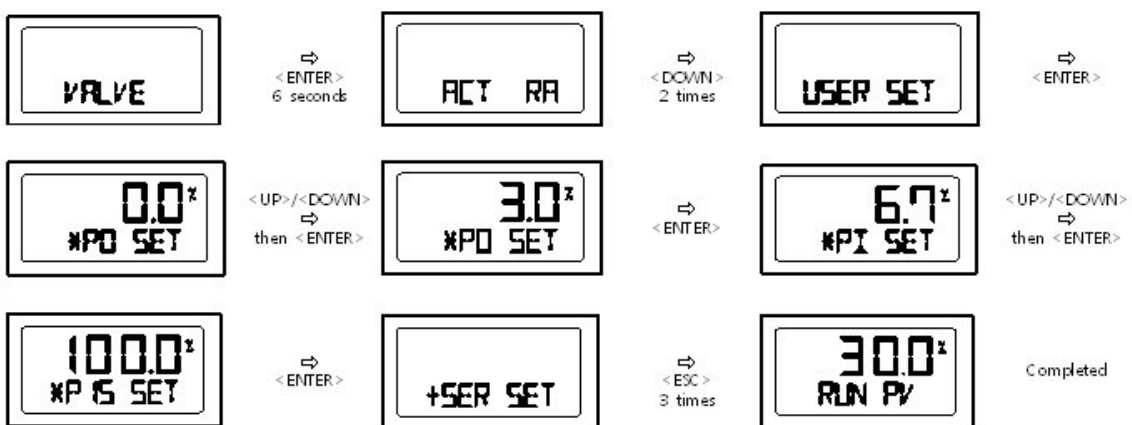
There are 4 types of characteristics - Linear (LIN), Equal Percentage (EQ), Quick Open (QO), and User Set (USR). Following diagram, <Figure 46>, graphically shows each characteristic.



<Figure 46>

User Characteristics (USER SET)

The characteristic curve can be made by selecting 16 points of the curve. <Figure 48> To utilize USER SET mode, please enter CHAR mode and select USR mode.



<Figure 48: USER SET Adjustment>

Tight Shut Open (TSHUT OP)

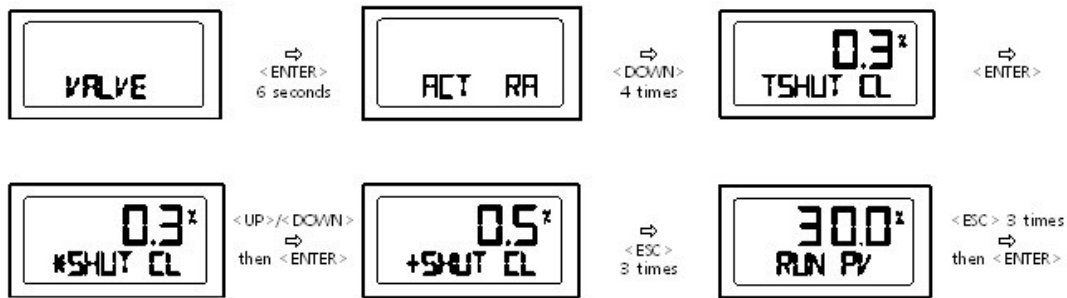
TSHUT OP allows the valve to open completely when the input signal reaches around 20mA. <Figure 49>



<Figure 49: TSHUT OP Adjustment>

Tight Shut Close (TSHUT CL)

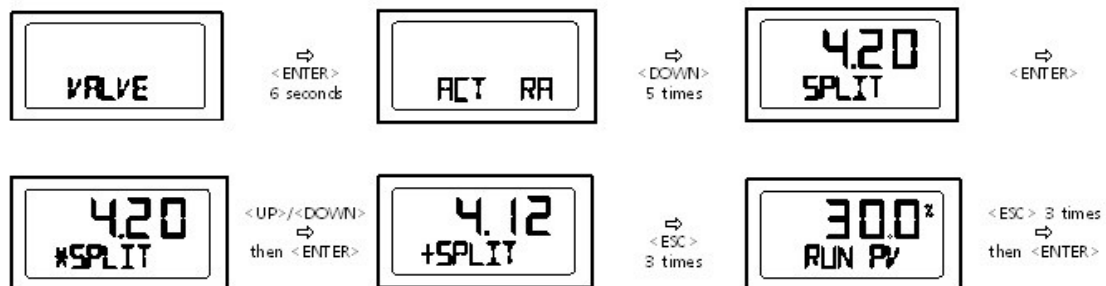
TSHUT CL allows the valve to close completely when the input signal reaches around 4mA. <Figure 50>



<Figure 50: TSHUT CL Adjustment>

Split Range Control (SPLIT)

The valve can be controlled by three input signal - 4~20mA, 4~12mA, or 12~20mA. <Figure 51>



<Figure 51: SPLIT Adjustment>

View Mode (VIEW)

In this mode, user can set the positioner to display different information such as stroke value in percentage (%) or in actual values. <Figure 52>



	Description
YT-2300L	Positioner model
VERSION	Main software version
HART V	HART Protocol version
POL Addr	Channel address that is used in HART Protocol
BIAS VI	BIAS value for motor control. Can be adjusted only by manufacturer.
OV Od	Total used time duration. If a unit was used less than 1 minute, the time does not accumulate.
FULL_OP	Time elapsed for valve to fully open
FULL_CL	Time elapsed for valve to fully close
VM NOR	Display type of valve stroke on LCD. (either in percentage or value)
Erro	Display error code or warning message. <Figure 53>
VALUE I	Current I-Value. Can be adjusted only by manufacturer.
ABS	Display absolute resistance value.

<Figure 52: VIEW Adjustment and Description Table>

Error and Warning Code

YT-2300 series provides error and warning codes if there is/are problem/s.

Error Code

Error code will be displayed when the positioner cannot be operated.

Error Code	Code Description and Cause	Action
MT ERR L	<ul style="list-style-type: none"> Positioner is improperly installed. Positioner lever is not parallel to the ground at 50% point. 	<ul style="list-style-type: none"> Re-install/mount the positioner. Make sure the feedback lever does not touch the stopper at both 0% and 100%.
MT ERR H	<ul style="list-style-type: none"> Positioner is improperly installed. Positioner lever is not parallel to the ground at 50% point. 	<ul style="list-style-type: none"> Re-install/mount the positioner. Make sure the feedback lever does not touch the stopper at both 0% and 100%.
CHK AIR	<ul style="list-style-type: none"> Valve does not operate when positioner receives "Full Open" signal during Auto Calibration. 	<ul style="list-style-type: none"> Check if supply pressure is stable and appropriate.
RNG ERR	<ul style="list-style-type: none"> Operating angle is too small due to improper mounting of positioner. 	<ul style="list-style-type: none"> Adjust bracket so the positioner can be mounted closer to actuator.
C	<ul style="list-style-type: none"> Error 10% or above persists more than 1 minute. <ul style="list-style-type: none"> No valve movement. Friction of valve is too large. Setting pressure of actuator changes. 	<ul style="list-style-type: none"> Perform BIAS Calibration. Check setting pressure of actuator and set the pressure as recommended.
D	<ul style="list-style-type: none"> I-Value reaches at maximum or minimum limit point. <ul style="list-style-type: none"> Friction of valve changes. Setting pressure of actuator changes. 	<ul style="list-style-type: none"> Perform AUTO Calibration. <ul style="list-style-type: none"> Check setting pressure of actuator and set the pressure as recommended.

Warning Code

Warning code will be displayed when the positioner has a possibility of not operating.

Warning Code	Code Description and Cause	Action
B	<ul style="list-style-type: none"> Ex. Span - Ex. Zero range is below 500. The angle of feedback lever is too small. 	<ul style="list-style-type: none"> Re-install/mount the positioner. Make sure the feedback lever does not touch the stopper at both 0% and 100%. After re-installation, perform AUTO1 Calibration.
F	<ul style="list-style-type: none"> Time elapsed for either Full Open or Full Close is less than 1 second. The size of actuator is too small. 	<ul style="list-style-type: none"> Use variable orifice. Replace actuator with larger capacity.
G	<ul style="list-style-type: none"> Ex. is below 100. The angle of feedback lever is too large. 	<ul style="list-style-type: none"> Re-install/mount the positioner. After re-installation, perform AUTO1 Calibration.
H	<ul style="list-style-type: none"> Ex. is over 4000. The angle of feedback lever is too large. 	<ul style="list-style-type: none"> Re-install/mount the positioner. After re-installation, perform AUTO1 Calibration.

Main Software Map

