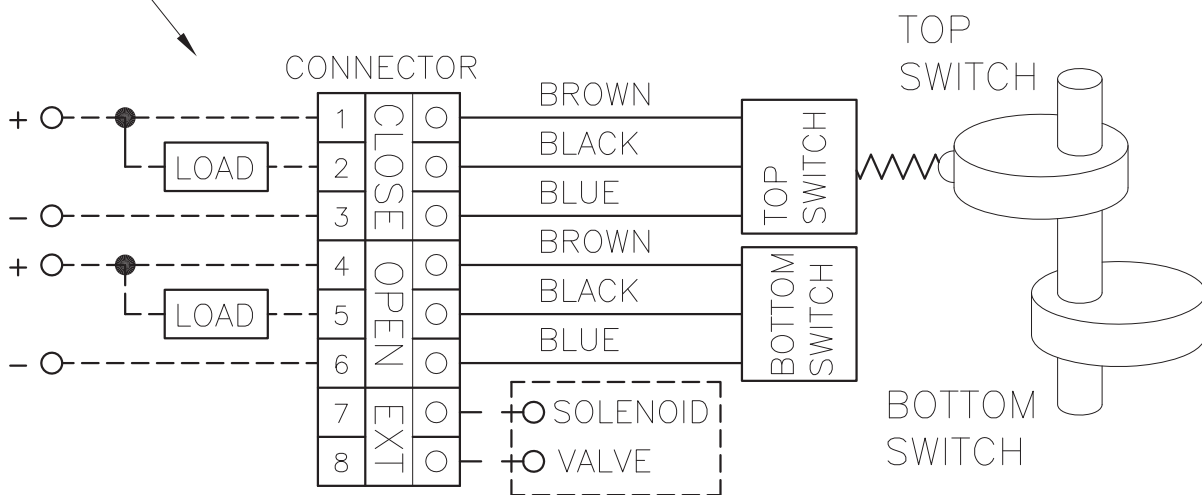
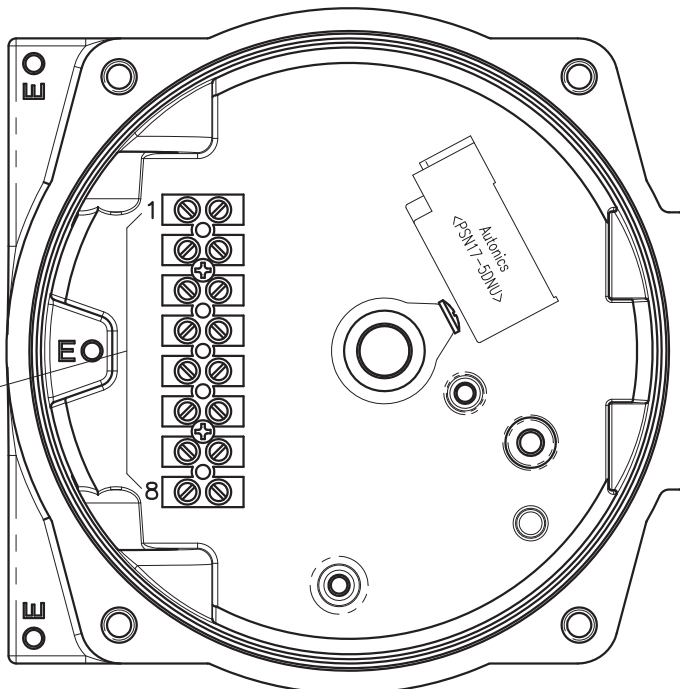


| REV.NO. | REVISION DESCRIPTION | DRAWN / DATE | REVIEWED / DATE | APPROVED / DATE |
|---------|----------------------|--------------|-----------------|-----------------|
| △       | FIRST ISSUED         | KBJ/130204   |                 | JCS/130204      |
| △       |                      |              |                 |                 |



PROJECT NAME **P-SENSOR(NPN)**

|                  |                   |   |           |   |          |
|------------------|-------------------|---|-----------|---|----------|
| SURFACE TEXTURE  |                   | PRODUCT NAME<br><b>LIMIT SWITCH BOX</b> |           | <b>YOUNG TECH CO., LTD.</b><br><small>YOUNG TECH CO., LTD. SEOUL, KOREA</small> |          |
| FINISH TREATMENT |                   | MODEL<br><b>YT-870, 875</b>             |           | TITLE<br><b>YT-870, 875<br/>PROXIMITY SENSOR WIRING DIAGRAM</b>                 |          |
| MATERIAL         |                   | PROJECTION                              | SCALE     | DRAWING NO.   | REV.     |
| OTHERWISE NOTE   | GENERAL TOLERANCE | QUANTITY                                | SHEET No. | <b>870-03</b>   | <b>0</b> |

**MIEPL**  
INDIAN SALES PARTNER

2012.10.08