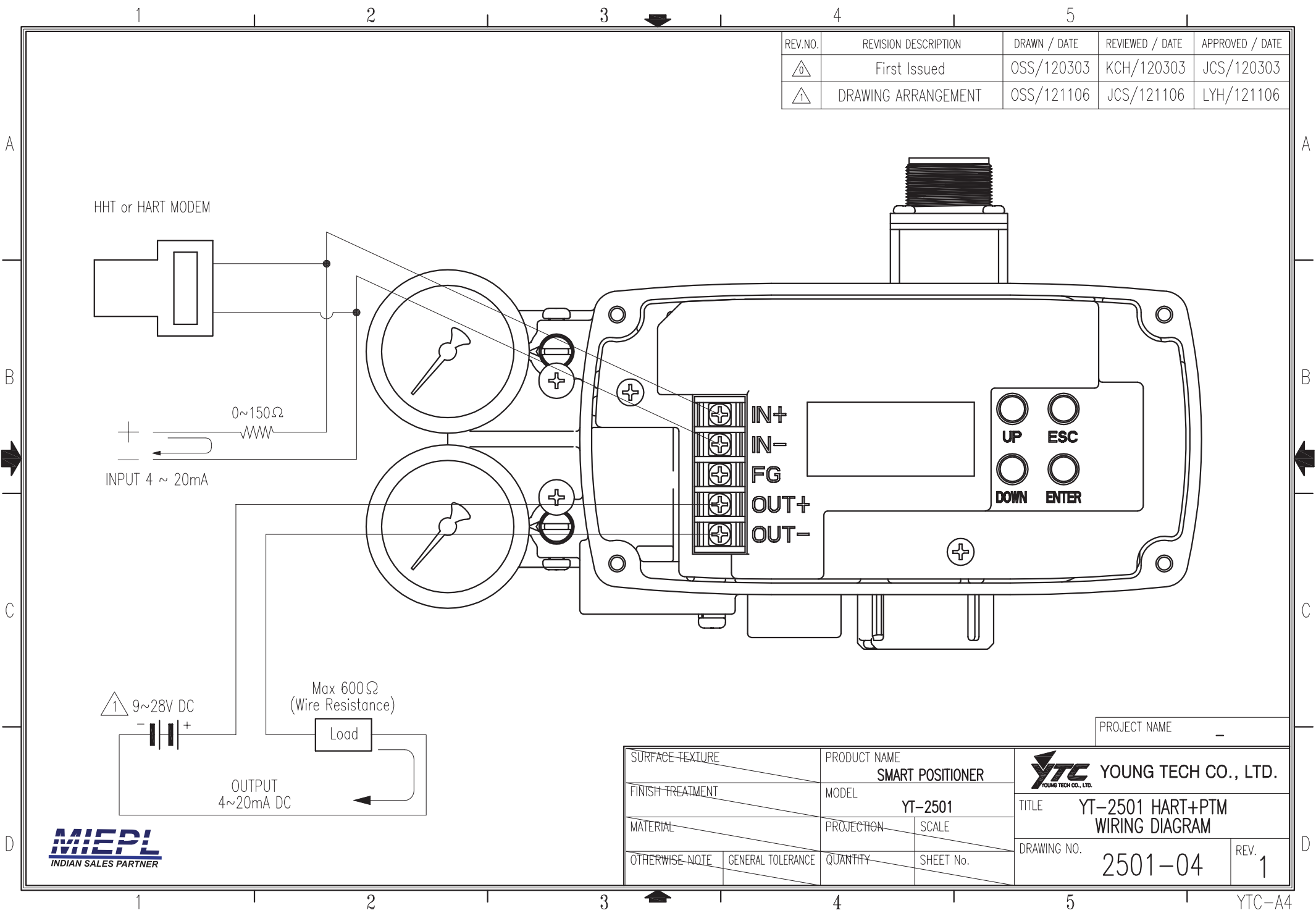



REV.NO.	REVISION DESCRIPTION	DRAWN / DATE	REVIEWED / DATE	APPROVED / DATE
△0	First Issued	OSS/120303	KCH/120303	JCS/120303
△1	DRAWING ARRANGEMENT	OSS/121106	JCS/121106	LYH/121106



MIEPL
INDIAN SALES PARTNER

SURFACE TEXTURE		PRODUCT NAME SMART POSITIONER		 YOUNG TECH CO., LTD.	
FINISH TREATMENT		MODEL YT-2501			
MATERIAL		PROJECTION	SCALE	TITLE YT-2501 HART+PTM WIRING DIAGRAM	
OTHERWISE NOTE	GENERAL TOLERANCE	QUANTITY	SHEET No.	DRAWING NO. 2501-04	REV. 1

PROJECT NAME -