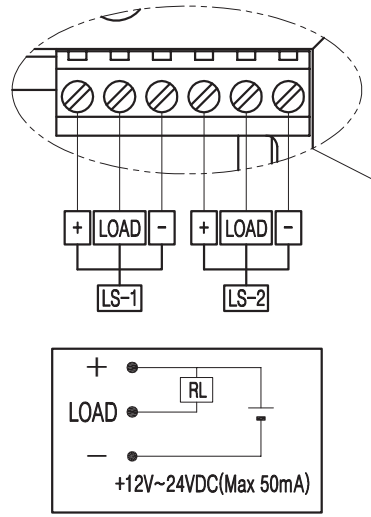
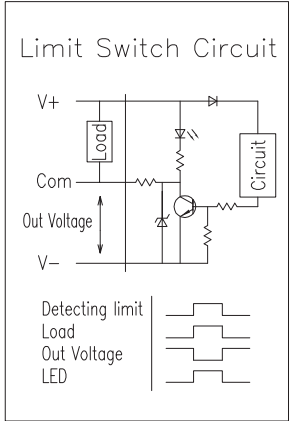
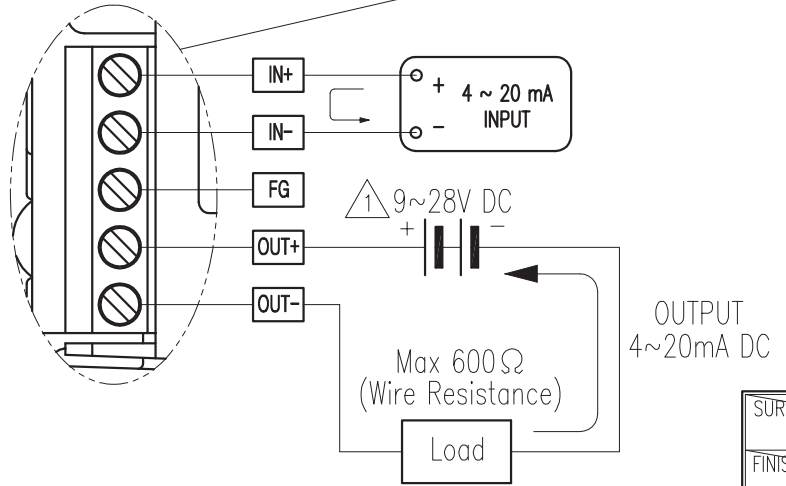
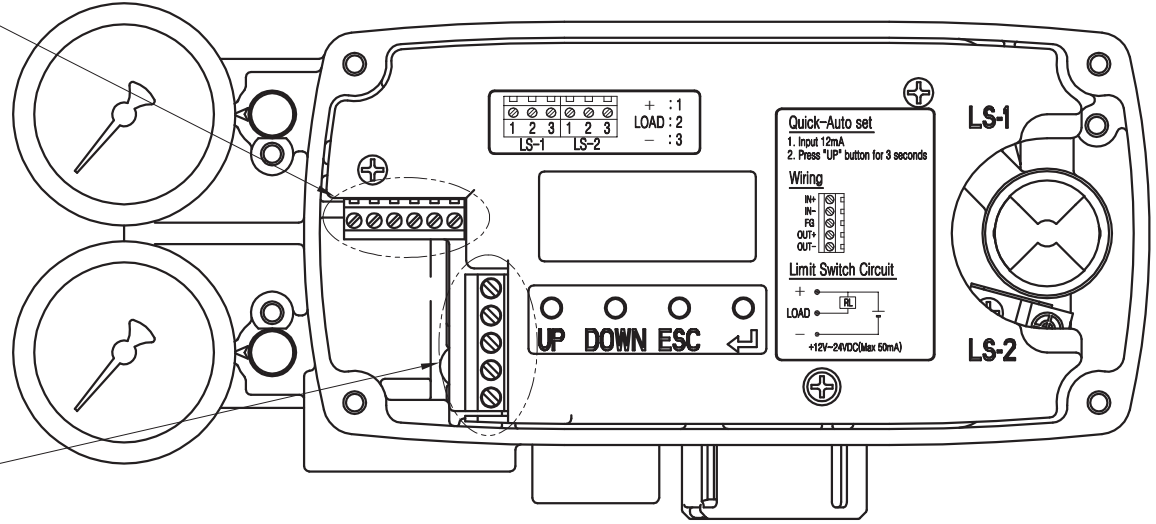


REV.NO.	REVISION DESCRIPTION	DRAWN / DATE	REVIEWED / DATE	APPROVED / DATE
0	First Issued	CHK/110618	JCS/110618	LYH/110618
1	DRAWING ARRANGEMENT	KBJ/121106	JCS/121106	LYH/121106



<PROXIMITY SENSOR TERMINAL>



* Proximity Sensor Spec.

Supply Voltage	DC12~24V, Ripple : below 10%
Output Current	Max. 50mA
Type	NPN (Open Collector)

PROJECT NAME PROXIMITY

SURFACE TEXTURE		PRODUCT NAME SMART POSITIONER		YOUNG TECH CO., LTD. SEUL, KOREA	
FINISH TREATMENT		MODEL YT-2500		TITLE YT-2500+PTM+L/S(Internal)	
MATERIAL		PROJECTION	SCALE	DRAWING NO. 2500-04	
OTHERWISE NOTE		GENERAL TOLERANCE	QUANTITY	SHEET No.	REV. 1

