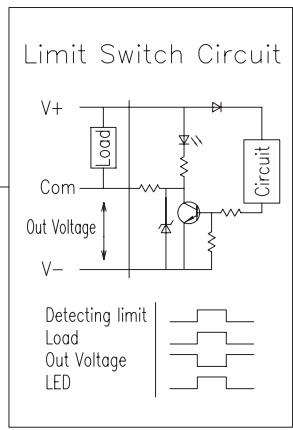
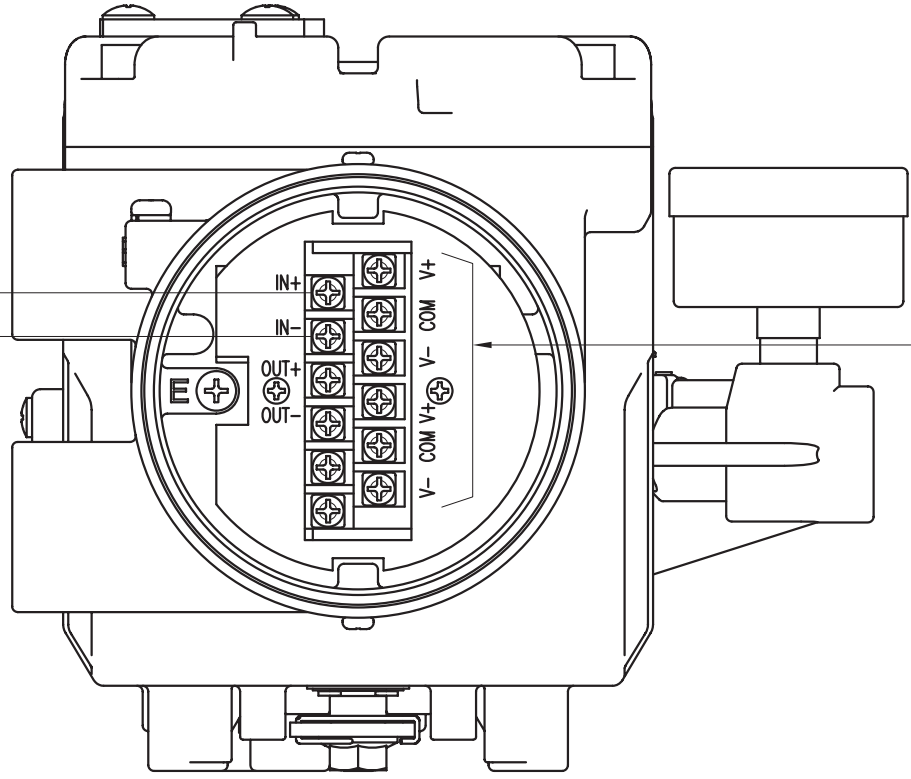



REV.NO.	REVISION DESCRIPTION	DRAWN / DATE	REVIEWED / DATE	APPROVED / DATE
△0	First Issued	KCH/110618	JCS/110618	LYH/110618
△1				

4 ~ 20 mA + ○
INPUT - ○



PROJECT NAME -

SURFACE TEXTURE		PRODUCT NAME SMART POSITIONER		 YOUNG TECH CO., LTD.	
FINISH TREATMENT		MODEL YT-2400			
MATERIAL		PROJECTION	SCALE	TITLE YT-2400+L/S(Internal) WIRING DIAGRAM	
OTHERWISE NOTE	GENERAL TOLERANCE	QUANTITY	SHEET No.	DRAWING NO. 2400-04	REV. 0

MIEPL
INDIAN SALES PARTNER