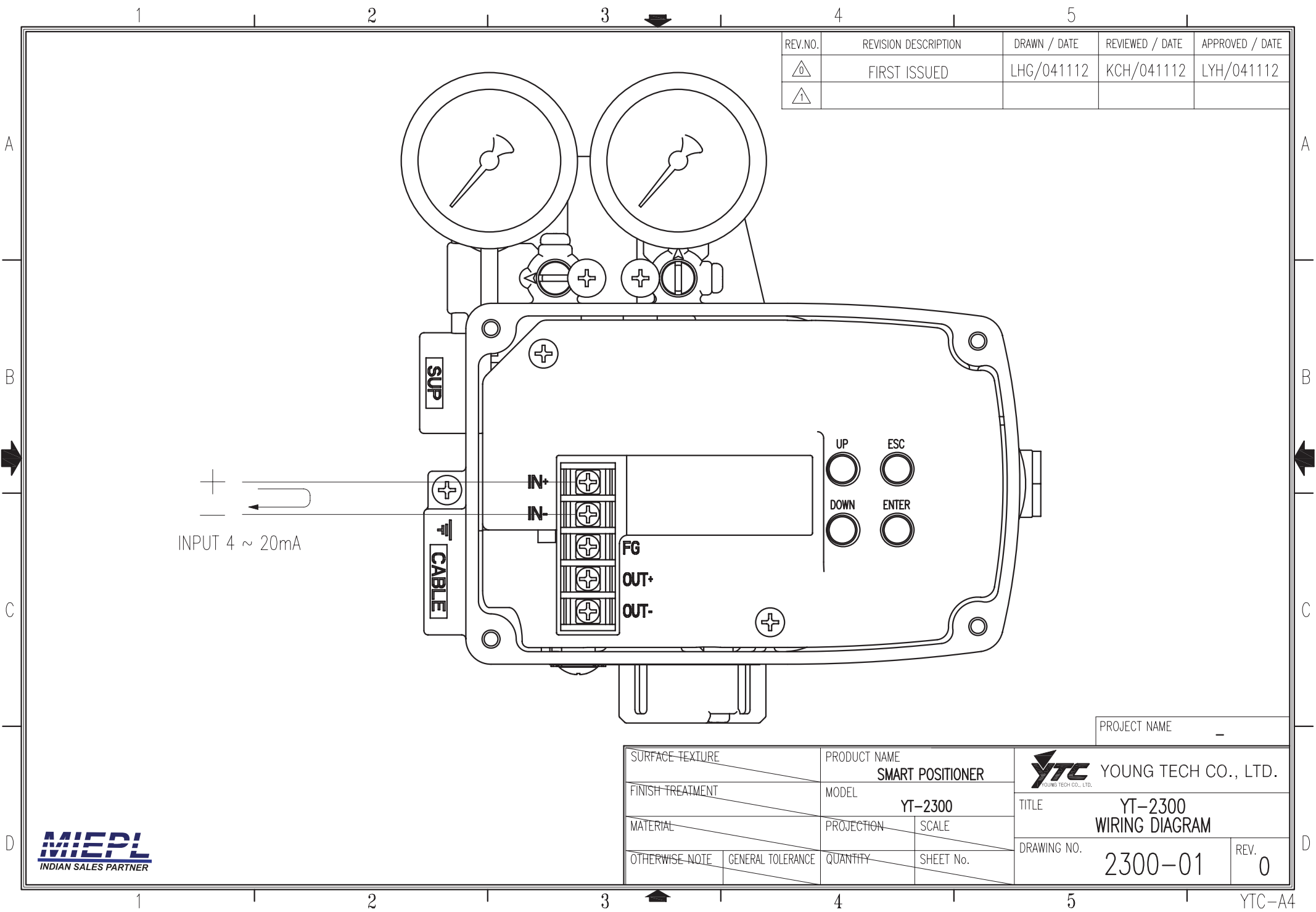



REV.NO.	REVISION DESCRIPTION	DRAWN / DATE	REVIEWED / DATE	APPROVED / DATE
0	FIRST ISSUED	LHG/041112	KCH/041112	LYH/041112
1				



PROJECT NAME -

SURFACE TEXTURE		PRODUCT NAME <b>SMART POSITIONER</b>		 <b>YOUNG TECH CO., LTD.</b>	
FINISH TREATMENT		MODEL <b>YT-2300</b>			
MATERIAL		PROJECTION	SCALE	TITLE <b>YT-2300 WIRING DIAGRAM</b>	
OTHERWISE NOTE	GENERAL TOLERANCE	QUANTITY	SHEET No.	DRAWING NO. <b>2300-01</b>	REV. <b>0</b>

**MIEPL**  
INDIAN SALES PARTNER