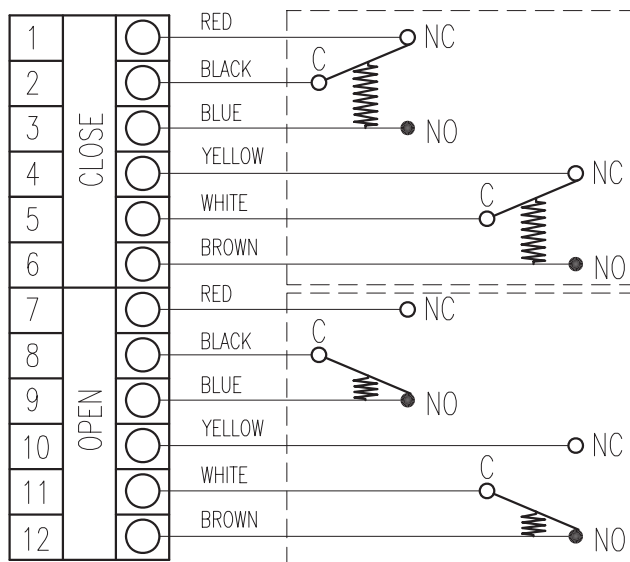
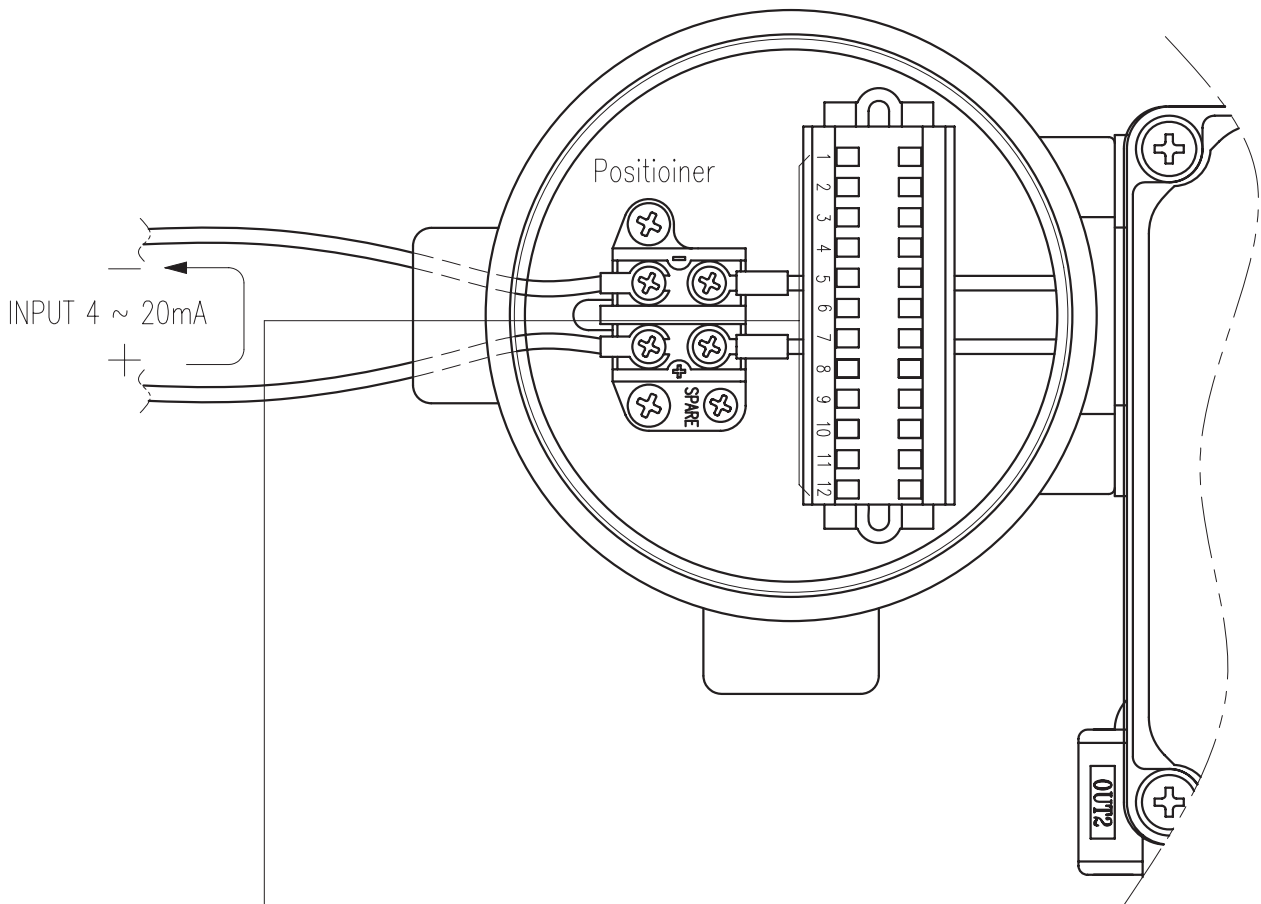


REV.NO.	REVISION DESCRIPTION	DRAWN / DATE	REVIEWED / DATE	APPROVED / DATE
△	FIRST ISSUED	KCH/110618	JCS/110618	LYH/110618
△				

*** Micro Switch Rating**

AC 125V 8A / AC 250V 8A / DC 28V 5A



PROJECT NAME -



SURFACE TEXTURE		PRODUCT NAME E/P POSITIONER		YOUNG TECH CO., LTD. <small>YOUNG TECH CO., LTD. SEOUL, KOREA</small>	
FINISH TREATMENT		MODEL YT-1000R		TITLE YT-1000R + L/S(DPDT)-Internal WIRING DIAGRAM	
MATERIAL		PROJECTION	SCALE	DRAWING NO.	REV.
OTHERWISE NOTE	GENERAL TOLERANCE	QUANTITY	SHEET No.	1000-08	0