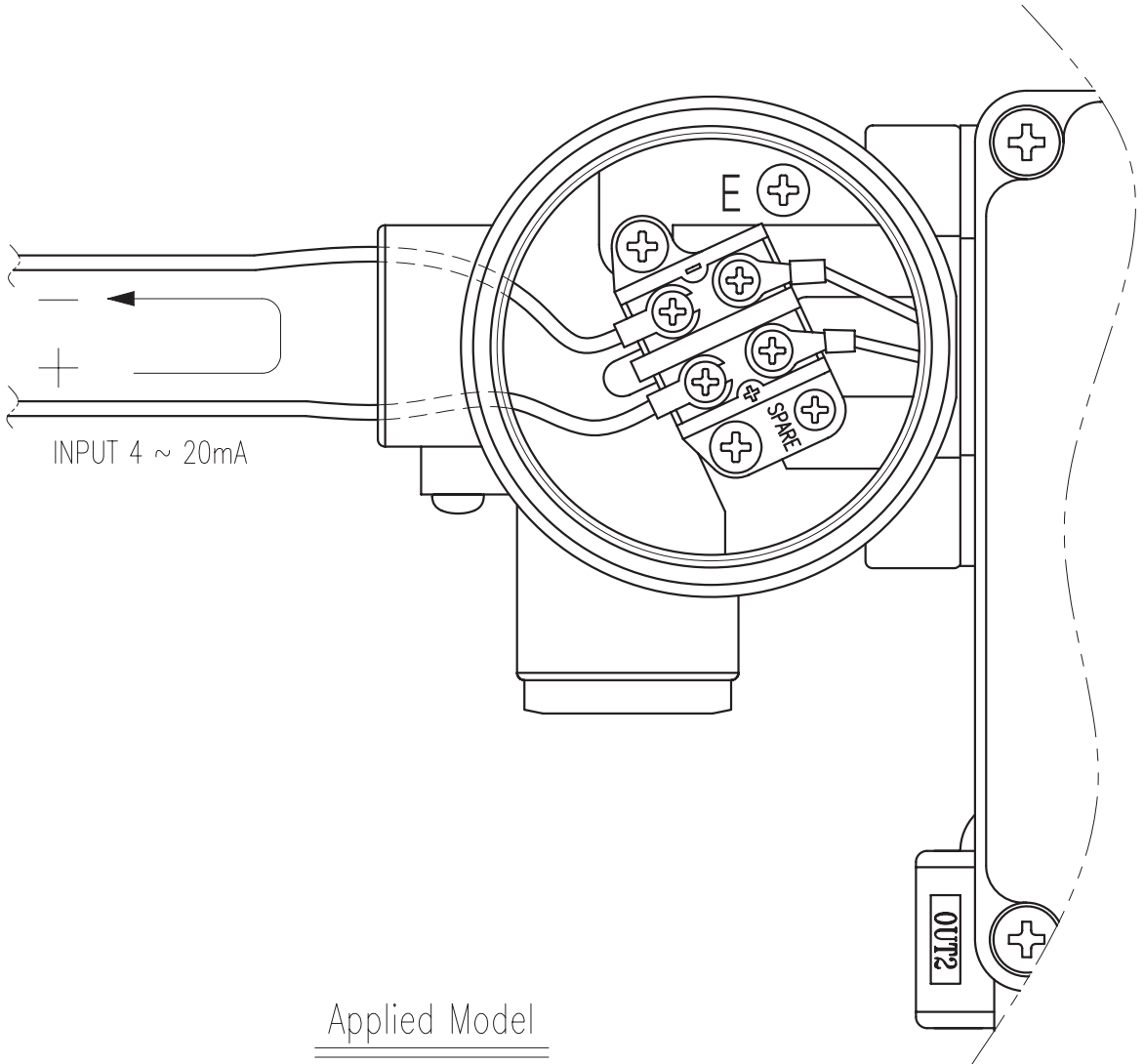



REV.NO.	REVISION DESCRIPTION	DRAWN / DATE	REVIEWED / DATE	APPROVED / DATE
△	FIRST ISSUED	LHG/041112	KCH/041112	LYH/041112
△				



Applied Model

YT-1000L (Standard)
YT-1000R (Standard)
YT-1000R DOME COVER
YT-1000R with L/S(External)
YT-1000R with PTM(External)
YT-1000R with PTM & L/S(External)

PROJECT NAME

SURFACE TEXTURE		PRODUCT NAME E/P POSITIONER		 YOUNG TECH CO., LTD. <small>SEOUL, KOREA</small>	
FINISH TREATMENT		MODEL YT-1000		TITLE YT-1000L,R (ExIIBT6, ExIICT6) WIRING DIAGRAM	
MATERIAL		PROJECTION	SCALE	DRAWING NO.	
OTHERWISE NOTE	GENERAL TOLERANCE	QUANTITY	SHEET No.	1000-01	REV. 0