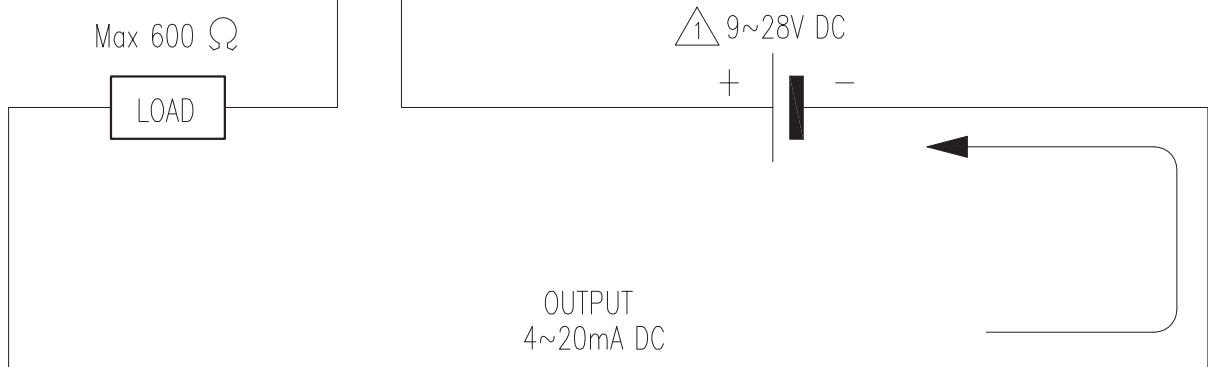
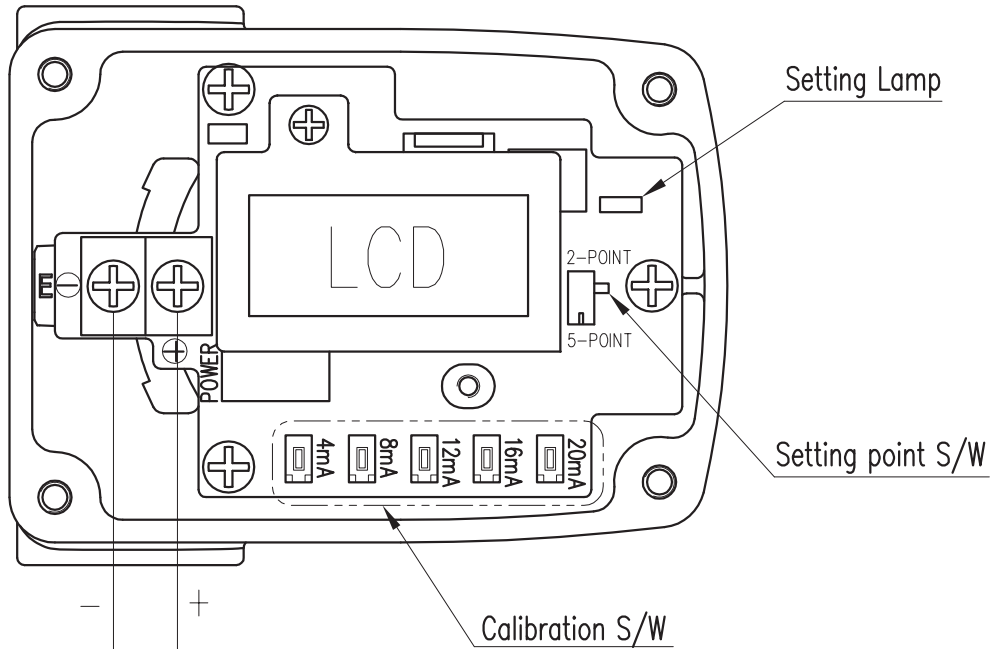


REV.NO.	REVISION DESCRIPTION	DRAWN / DATE	REVIEWED / DATE	APPROVED / DATE
△	FIRST ISSUED	KCH/110516	JCS/110516	LYH/110516
△	DRAWING ARRANGEMENT	KBJ/121106	JCS/121106	LYH/121106



SURFACE TEXTURE		PRODUCT NAME SMART POSITION TRANSMITTER		PROJECT NAME -	
FINISH TREATMENT		MODEL SPTM-5V (LCD)		TITLE SPTM-5V (LCD) WIRING DIAGRAM	
MATERIAL		PROJECTION	SCALE	DRAWING NO. SP-02	
OTHERWISE NOTE	GENERAL TOLERANCE	QUANTITY	SHEET No.	REV. 1	



YOUNG TECH CO., LTD.  
SEOUL, KOREA