

REV. NO.	REVISION DESCRIPTION	DRAWN / DATE	REVIEWED / DATE	APPROVED / DATE
△	ISSU FOR APPROVAL	HSS/050624	KCH/050624	LYH/050624
△	DRAWING ARRANGEMENT	HSS/060621	JCS/060621	LYH/060621

### SPECIFICATION

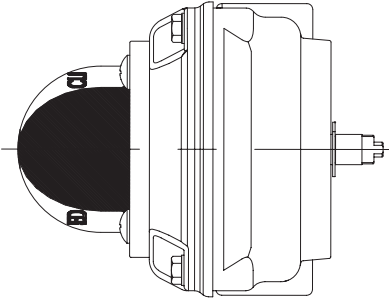
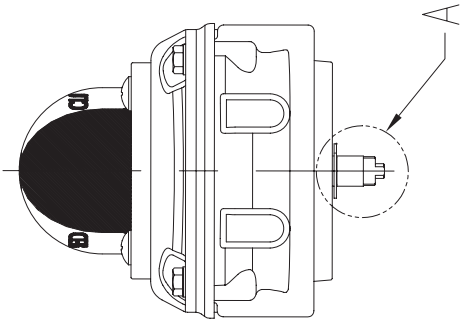
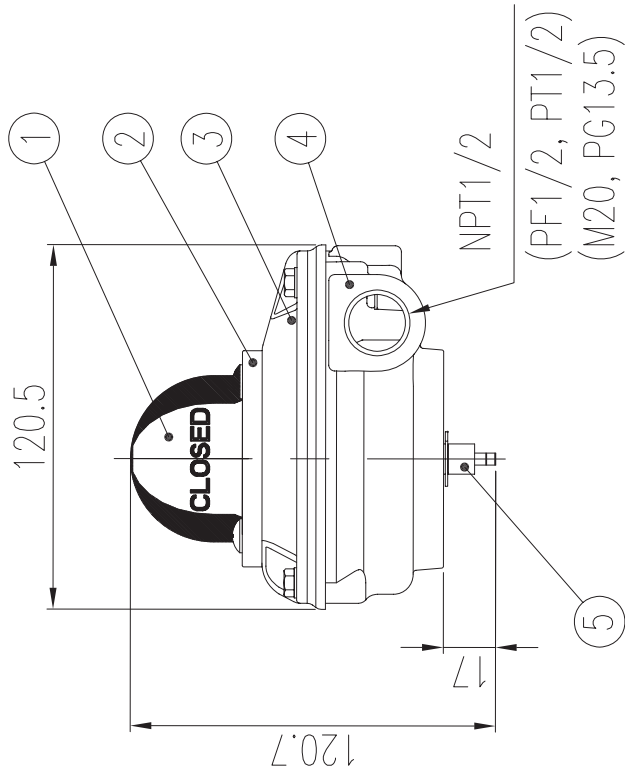
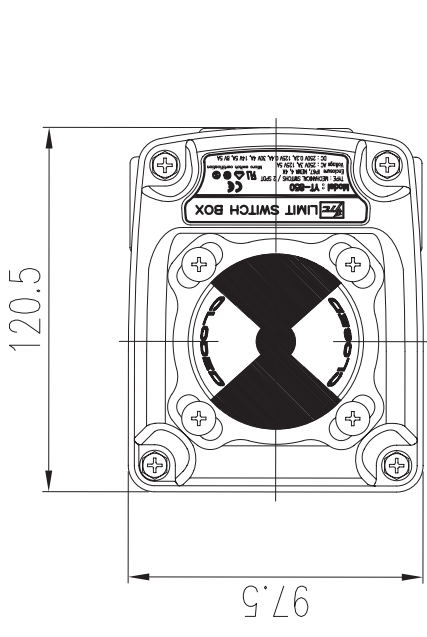
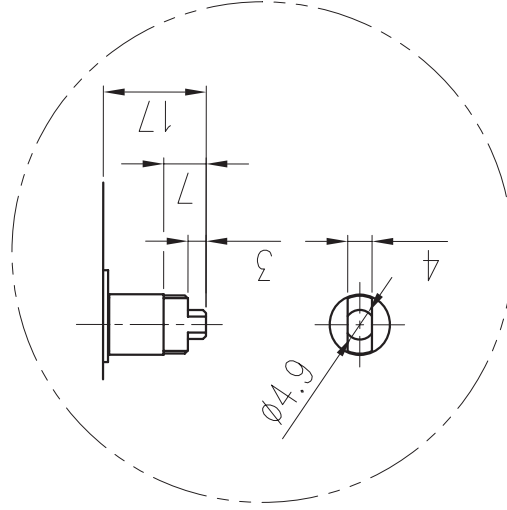
Specification	Standard	Option
Enclosure Protection	Weather proof, IP67/NEMA4 & 4X	
Ambient Temp.	-20°C~80°C	
Conduit Entry	NPT1/2	PF1/2, PT1/2, M20, PG13.5
Switches	Mechanical switches x 2, Proximity sensor x 2	
Terminal	8 Points	
Shaft	Standard Shaft(17mm)	
External Coating	Black	
Weight	880g	

### SWITCHES

YT-850 (Mechanical Switch)		YT-850P (Proximity Sensor)	
Spec.	Standard	Option	Spec.
Model	SS5GL (Omron)	SS10GL (Omron)	PS17-5DNU (Autonics)
Type	2SPDT		Inductive proximity sensor
Rating Voltage	AC	250V 3A 125V 5A	Operating Voltage
	DC	250V 0.2A 125V 0.4A, 30V 4A	12~24VDC
			Allowable Voltage
			12~30VDC
			Operating Distances
			5mm
			2mm

NO.	NAME	MATERIAL	Q'TY.	REMARK
5	MAIN SHAFT	STS303	1	
4	BASE BODY	ALDC12	1	
3	BASE COVER	ALDC12	1	
2	INDICATOR COVER	PC(Poly Carbonate)	1	
1	INDICATOR	ABS	1	

### DETAIL A



SURFACE TEXTURE		PRODUCT NAME		PROJECT NAME	
		LIMIT SWITCH BOX		-	
FINISH TREATMENT		MODEL	TITLE		
		YT-850	LIMITS SWITCH BOX ASS'Y DWG		
MATERIAL		PROJECTION	SCALE	DRAWING NO.	
		3rd	1 / 2.5	YT-850 (YT-850P)	
OTHERWISE NOTE		GENERAL TOLERANCE	SHEET No.	REV.	
		1	1 / 1	1	