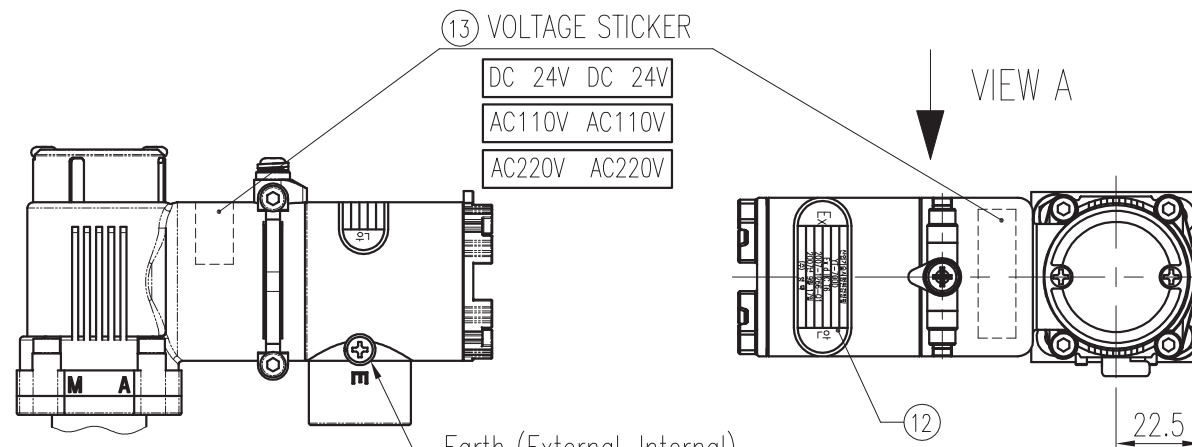


SPECIFICATIONS

Item Type	YT-700D	
Valve Type	4 Way	
Rating Current	<input type="checkbox"/> AC 220V(50~60Hz)	6.6W(30mA)
	<input type="checkbox"/> AC 110V(50~60Hz)	5.5W(50mA)
	<input type="checkbox"/> DC 24V(50~60Hz)	3.8W(160mA)
Explosion Proof.	Ex d IIC T6	
Ambient Temp.	-20 ~ 50°C (-4 ~ 122°F)	
Air Connection	<input type="checkbox"/> PT 1/4	<input type="checkbox"/> NPT 1/4
Conduit	(G)PF 1/2	
Supply Pressure Max.	0.1~1MPa (1~10bar)	
Flow Capacity (CV)	0.75	
Weight	0.9 kg (2.0 lb)	
Material	ALUMINUM DIECASTING	

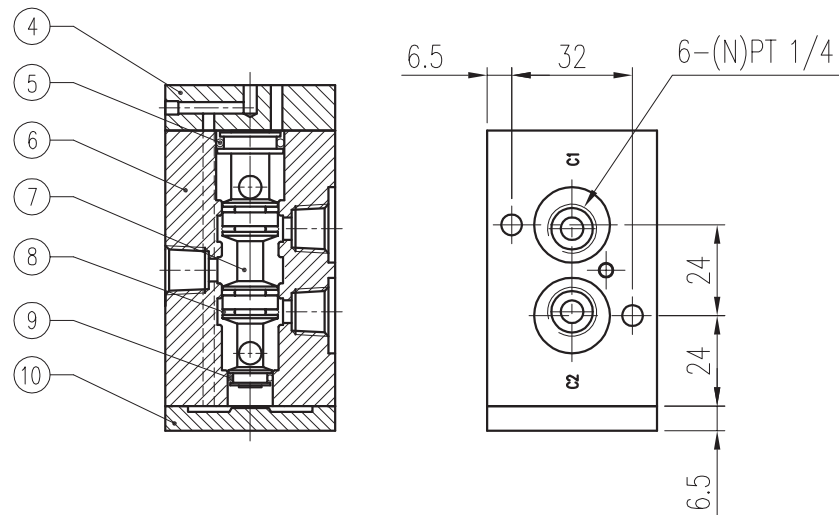
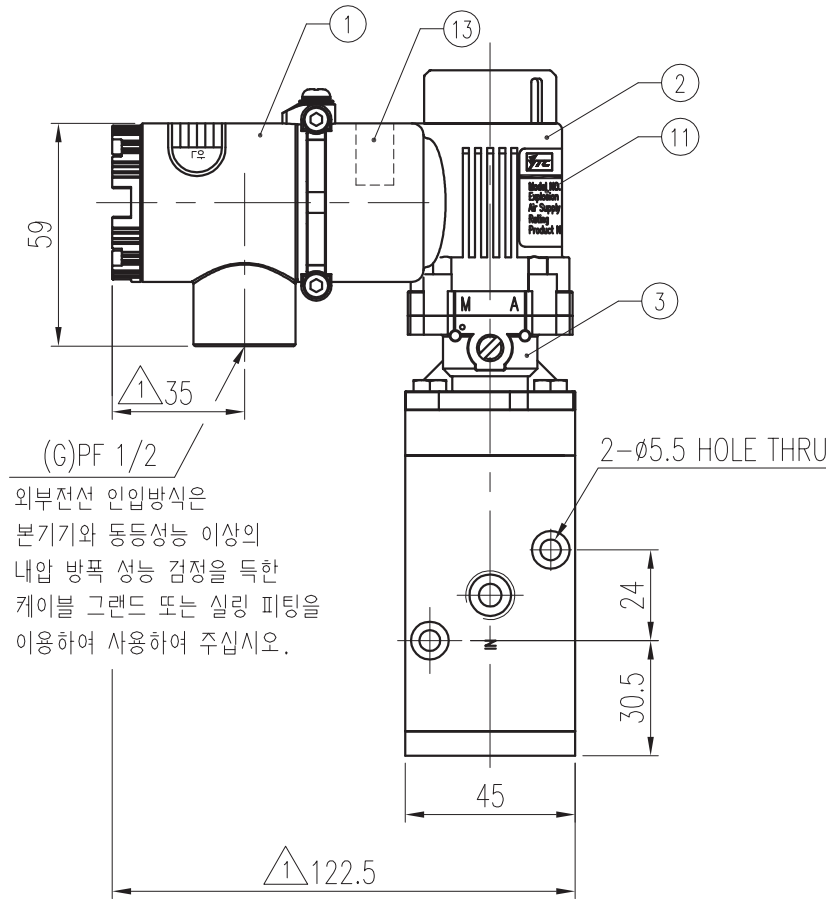
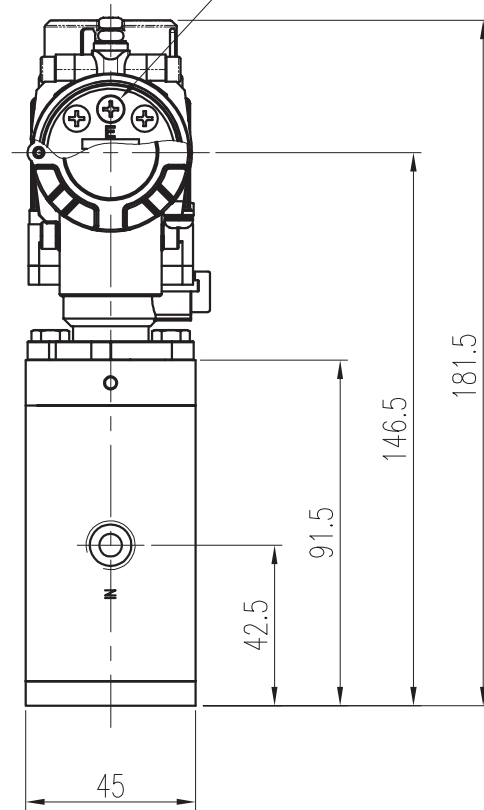
* Based on temperature 20°C, absolute pressure 760mmHg and relative humidity 65%.

REV.NO.	REVISION DESCRIPTION	DRAWN / DATE	REVIEWED / DATE	APPROVED / DATE
△	최초 작성	JCS/111116		LYH/111116
△	ROTATOR 길이변경	KBJ/121017	JCS/121017	LYH/121017



VIEW A

- Earth (External, Internal)
1. M4*5 0.7P Round Head Screw
 2. M4 Spring washer
 3. Minimum Size Wire 1mm² or 18AWG.



6	4WAY BLOCK	1	A6061	13	VOLTAGE STICKER	1	2M CH PET
5	P16 O-RING	1	NBR	12	방폭 STICKER	1	유포지 + 코팅
4	UP CAP	1	ALDC12	11	NAME PLATE	1	2M CH PET
3	LOW BODY	1	ALDC12	10	LOW CAP	1	ALDC12
2	UP BODY	1	ALDC12	9	P10 O-RING	1	NBR
1	ROTATOR	1	ALDC12	8	I-RING	4	NBR
NO	TITLE	Q'TY	MATERIAL	7	SPOOL	1	AL2011
NO	TITLE	Q'TY	MATERIAL	NO	TITLE	Q'TY	MATERIAL



SURFACE TEXTURE	PRODUCT NAME	PROJECT NAME	
FINISH TREATMENT	AIR SOLENOID VALVE	-	
MATERIAL	MODEL	YTC YOUNG TECH CO., LTD. SEOUL, KOREA	
OTHERWISE NOTE	PROJECTION	TITLE	
GENERAL TOLERANCE	3rd	AIR SOLENOID VALVE ASS'Y DWG (4Way)	
QUANTITY	1	SCALE	DRAWING NO.
		1 / 2	SYT-700D (4Way)
		SHEET No.	REV.
		1 / 1	1