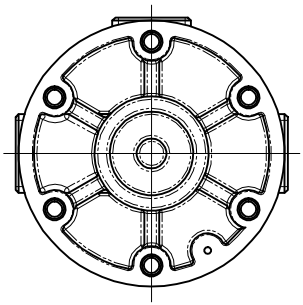
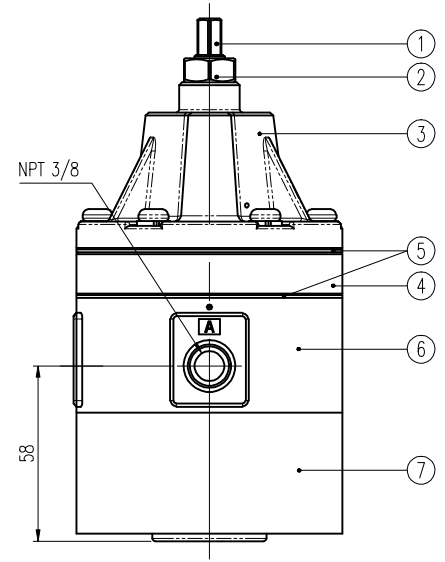
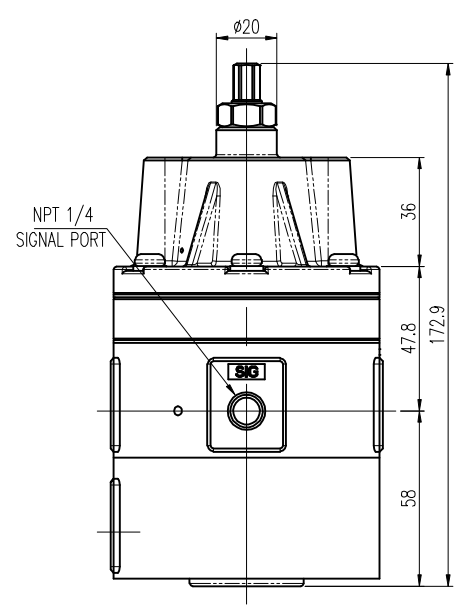
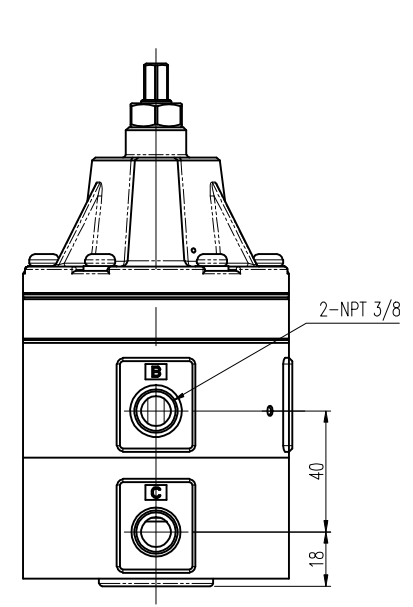
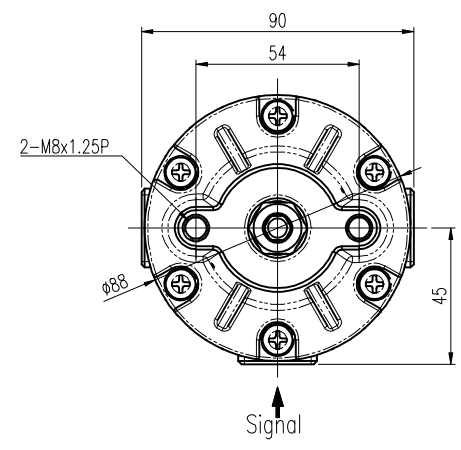


REV.NO.	REVISION DESCRIPTION	DRAWN / DATE	REVIEWED / DATE	APPROVED / DATE
△	ISSUE FOR APPROVAL	MDK/120118	JCS/120118	LYH/120118
△				



### SPECIFICATIONS

Item . Type	YT-530 Single Type
Signal Pressure	0.14 ~ 0.7MPa (1.4 ~ 7bar)
Max Supply Pressure	1MPa (10bar)
Flow Capacity(Cv)	1.8
Signal Connection	NPT 1/4
In / Output Connection	NPT 3/8
Ambient Temp.	-20°C ~ 70°C (-4°F ~ 158°F)
Weight	1.46kg (3.2 lb)

NO.	PART NAME	MATERIAL	Q'TY	REMARK
7	BODY LOWER	ALDC12	1	
6	BODY BASE	ALDC12	1	
5	DIAPHRAGM	NBR	2	
4	RING EXHAUST	ALDC12	1	
3	COVER BASE	ALDC12	1	
2	NUT(M10x1.0P)	STS 304	1	
1	SHAFT ADJUST	STS 303	1	

**MIPL**  
INDIAN SALES PARTNER

SURFACE TEXTURE		PRODUCT NAME		PROJECT NAME	
FINISH TREATMENT		SNAP ACTING RELAY VALVE		-	
MATERIAL		MODEL		YTC YOUNG TECH CO., LTD. SEOUL, KOREA	
OTHERWISE NOTE		PROJECTION		TITLE	
GENERAL TOLERANCE		3rd		SNAP ACTING RELAY ASS'Y DWG	
		SCALE		DRAWING NO.	
		1 / 2		YT-530 (SINGLE TYPE)	
		QUANTITY		REV.	
		1		0	
		SHEET No.			
		1 / 1			