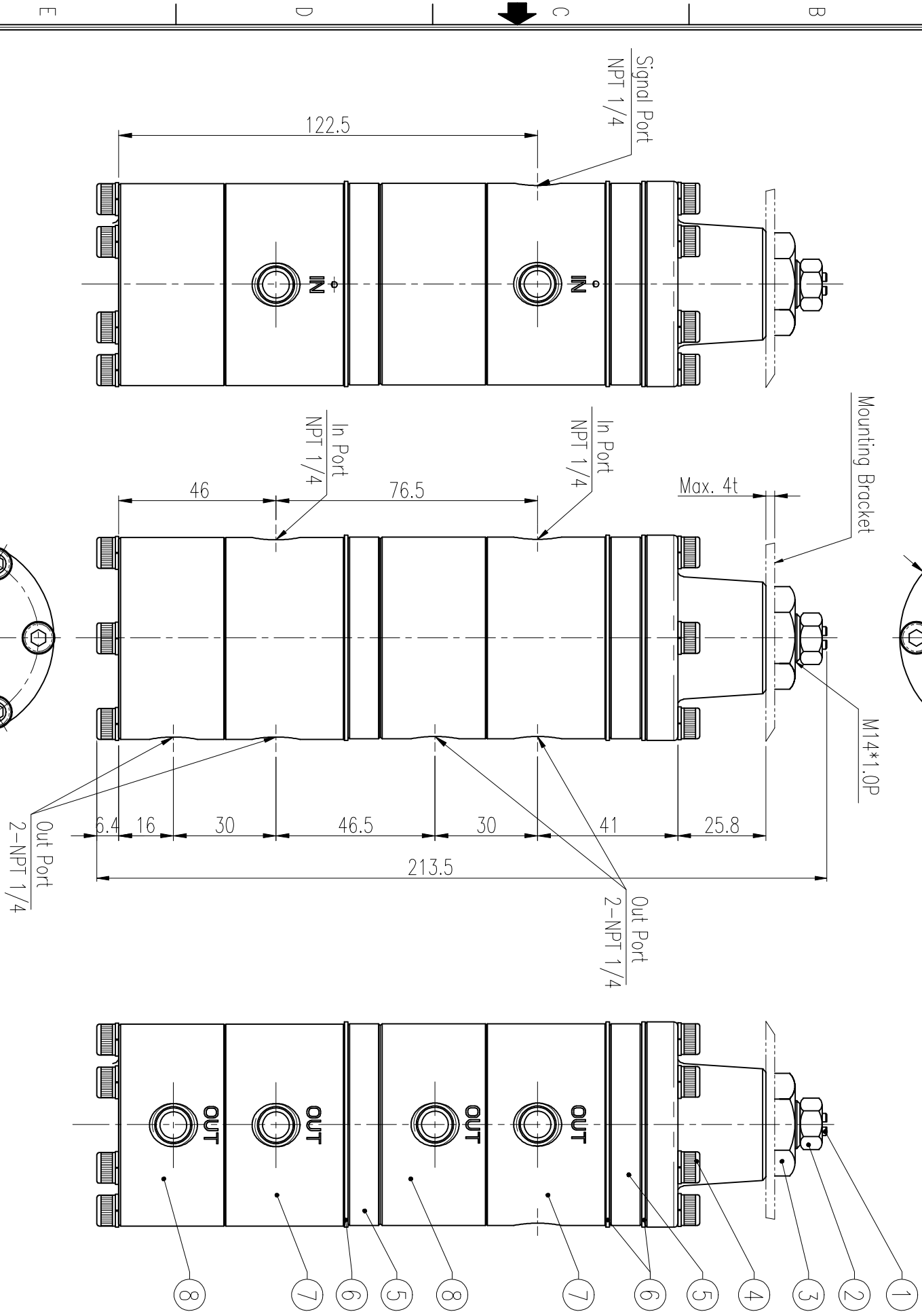
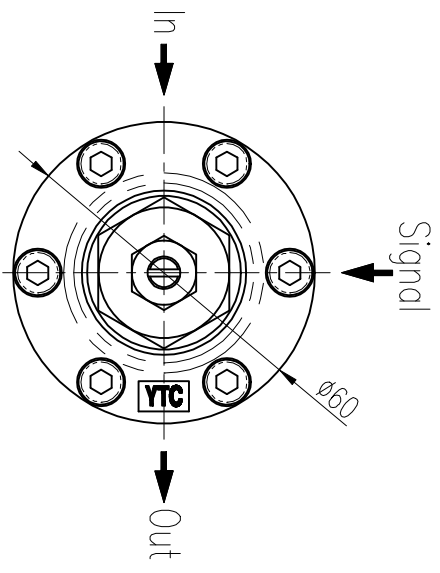


REV. NO.	REVISION DESCRIPTION	DRAWN / DATE	REVIEWED / DATE	APPROVED / DATE
△	ISSUE FOR APPROVAL	MDK/110502		
△				



SPECIFICATIONS

Item . Type	YT-525 Double Type
Signal Pressure	0.14 ~ 0.7MPa (1.4 ~ 7bar)
Max Supply Pressure	1MPa (10bar)
Flow Capacity(Cv)	0.9
Signal Connection	NPT 1/4
In / Output Connection	NPT 1/4
Ambient Temp.	-20°C ~ 70°C (-4°F ~ 158°F)
Weight	3.09kg (6.8lb)

NO.	PART NAME	MATERIAL	Q'TY	REMARK
8	BODY LOWER	STS316	2	
7	BODY BASE	STS316	2	
6	DIAPHRAGM	NBR	3	
5	EXHAUST RING	SCS14	2	
4	COVER BASE	SCS14	1	
3	MOUNTING NUT	STS316	1	
2	NUT(M8*1)	STS316	1	
1	ADJUST BOLT	STS316	1	

SURFACE TEXTURE		PRODUCT NAME		SNAP ACTING RELAY VALVE	
FINISH TREATMENT		MODEL		YT-525	
MATERIAL		PROJECTION		3rd	
OTHERWISE NOTE		GENERAL TOLERANCE		QUANTITY	
				1	
		SCALE		1 / 1.5	
		SHEET No.		1 / 1	
		DRAWING NO.		YT-525 (DOUBLE TYPE)	
		REV.		0	

YTC YOUNG TECH CO., LTD.
SEOUL, KOREA

MIEDA
INDIAN SALES PARTNER