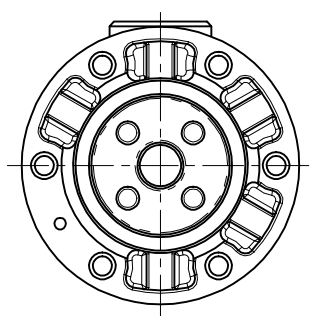
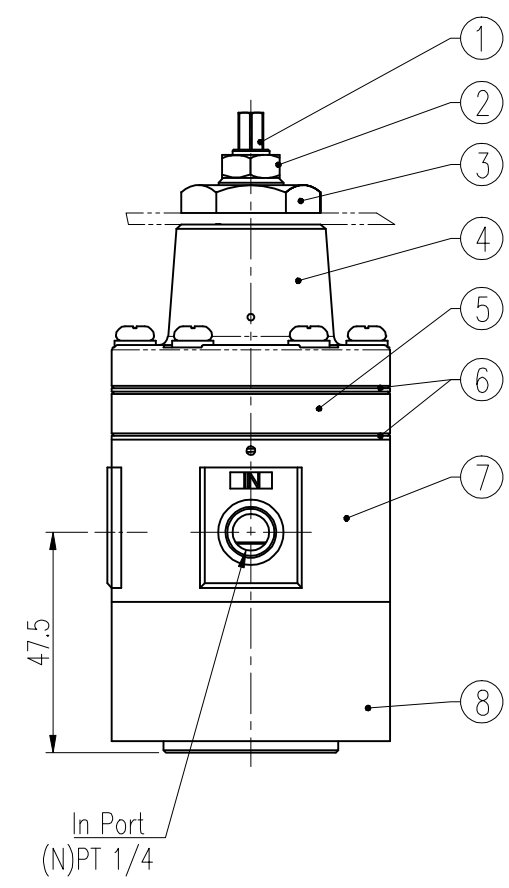
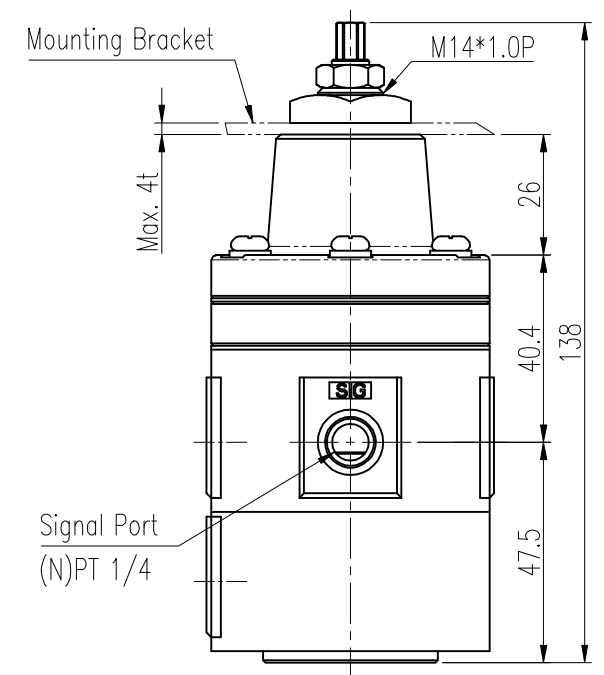
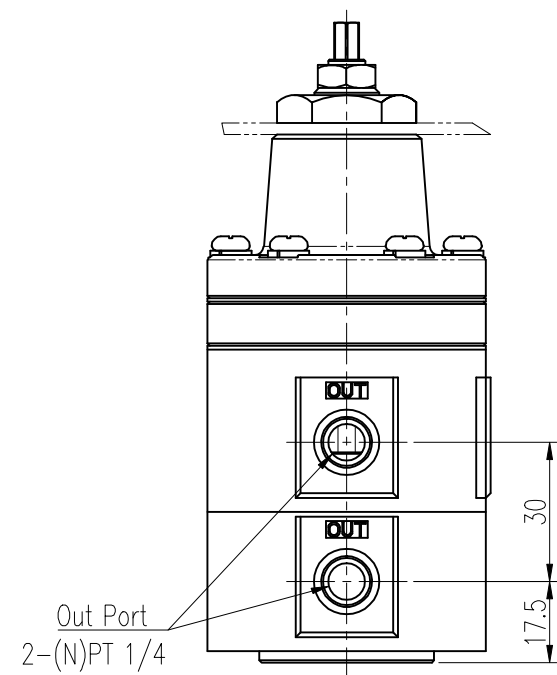
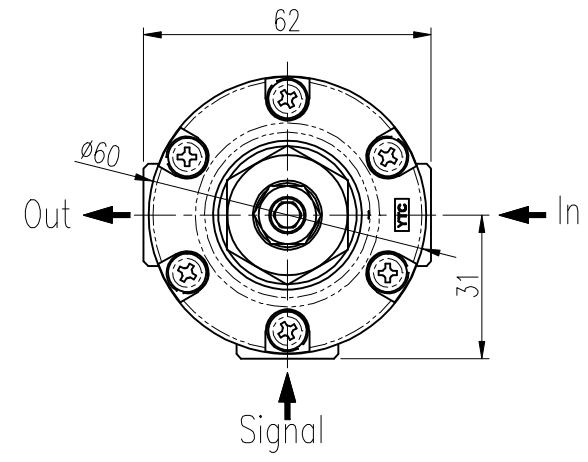


REV.NO.	REVISION DESCRIPTION	DRAWN / DATE	REVIEWED / DATE	APPROVED / DATE
△	ISSUE FOR APPROVAL	MDK/110706		
△				



SPECIFICATIONS

Item . Type	YT-520 Single Type
Signal Pressure	0.14 ~ 0.7MPa (1.4 ~ 7bar)
Max Supply Pressure	1MPa (10bar)
Flow Capacity(Cv)	0.9
Signal Connection	(N)PT 1/4
In / Output Connection	(N)PT 1/4
Ambient Temp.	-20°C ~ 70°C (-4°F ~ 158°F)
Weight	0.73kg (1.8lb)

8	BODY LOWER	ALDC12	1	
7	BODY BASE	ALDC12	1	
6	DIAPHRAGM	NBR	2	
5	RING EXHAUST	ALDC12	1	
4	COVER BASE	ALDC12	1	
3	MOUNTING NUT	C3604BD+ Ni PLATED	1	
2	NUT(M8*1)	STS 304	1	
1	SHAFT ADJUST	STS 303	1	
NO.	PART NAME	MATERIAL	Q'TY	REMARK

PROJECT NAME _____



SURFACE TEXTURE	PRODUCT NAME SNAP ACTING RELAY VALVE	
FINISH TREATMENT	MODEL YT-520	
MATERIAL	PROJECTION 3rd	TITLE SNAP ACTING RELAY ASS'Y DWG
OTHERWISE NOTE	GENERAL TOLERANCE	DRAWING NO. YT-520 (SINGLE TYPE)
	QUANTITY 1	REV. 0
	SHEET No. 1 / 1	