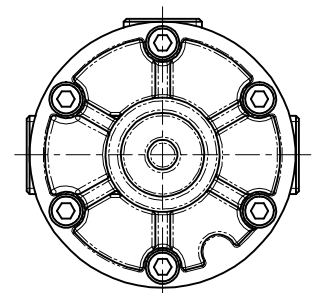
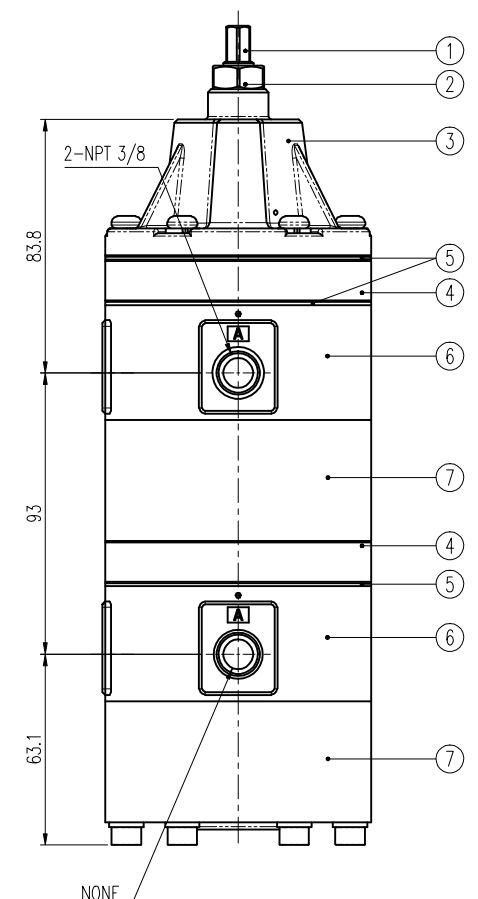
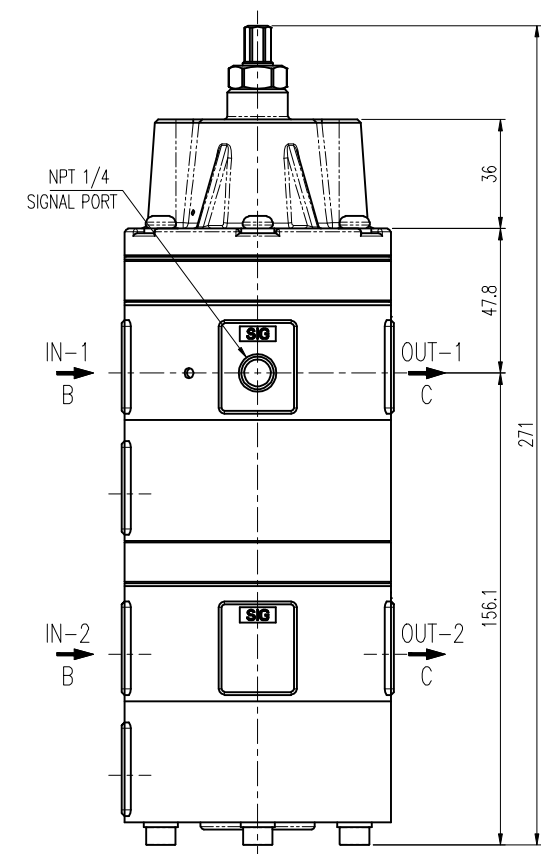
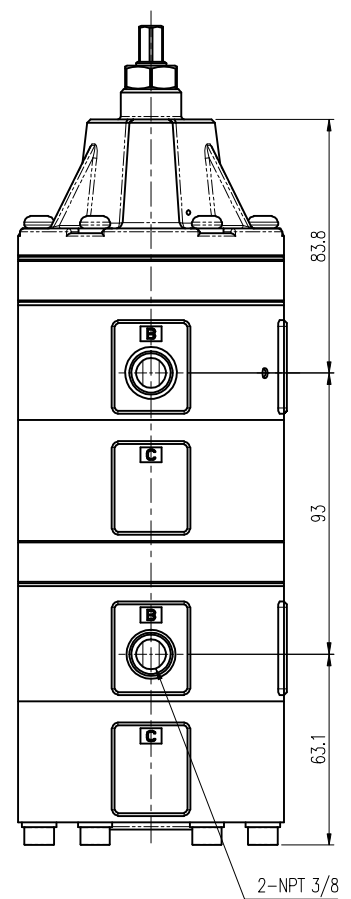
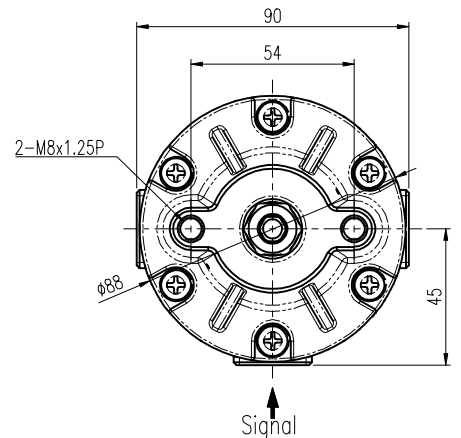


REV.NO.	REVISION DESCRIPTION	DRAWN / DATE	REVIEWED / DATE	APPROVED / DATE
△	ISSUE FOR APPROVAL	MDK/120128	JCS/120128	LYH/120128
△	CONNECTION CHANGE	MDK/120810	JCS/120810	LYH/120810



### SPECIFICATIONS

Item . Type	YT-430 Double Type
Signal Pressure	0.14 ~ 0.7MPa (1.4 ~ 7bar)
Max Supply Pressure	1MPa (10bar)
Flow Capacity(Cv)	1.8
Signal Connection	NPT 1/4
In / Output Connection	NPT 3/8
Ambient Temp.	-20°C ~ 70°C (-4°F ~ 158°F)
Weight	2.71kg (5.9 lb)

NO.	PART NAME	MATERIAL	Q'TY	REMARK
7	BODY LOWER	ALDC12	2	
6	BODY BASE	ALDC12	2	
5	DIAPHRAGM	NBR	3	
4	RING EXHAUST	ALDC12	2	
3	COVER BASE	ALDC12	1	
2	NUT(M10x1.0P)	STS 304	1	
1	SHAFT ADJUST	STS 303	1	



SURFACE TEXTURE	PRODUCT NAME	LOCK UP VALVE	
FINISH TREATMENT	MODEL	YT-430	
MATERIAL	PROJECTION	SCALE	1 / 2
OTHERWISE NOTE	GENERAL TOLERANCE	QUANTITY	1
		SHEET No.	1 / 1

PROJECT NAME -

**YTC** YOUNG TECH CO., LTD.  
SEOUL, KOREA

TITLE  
SNAP ACTING RELAY ASS'Y DWG

DRAWING NO. YT-430 (DOUBLE TYPE) REV. 1