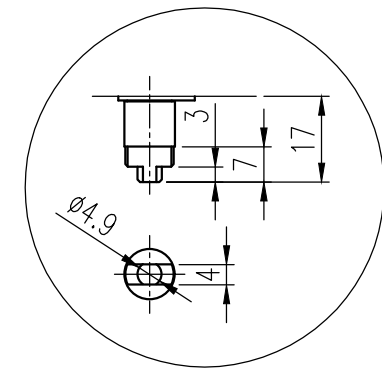
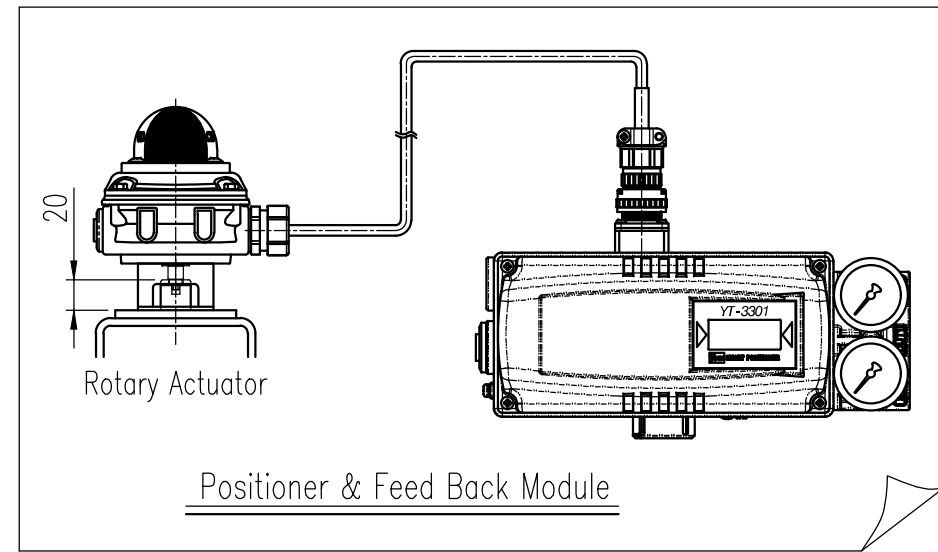


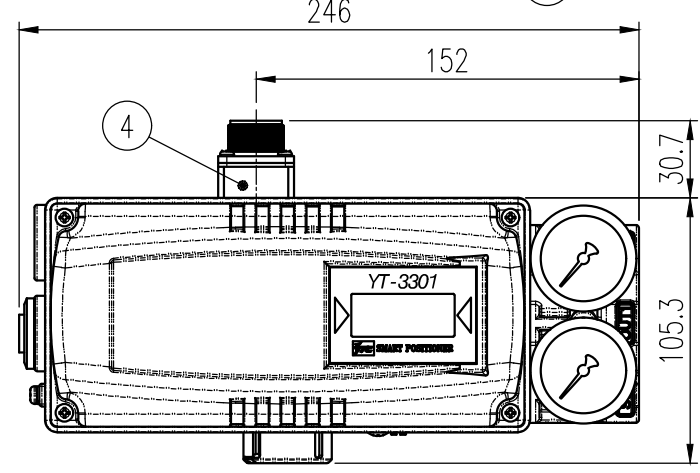
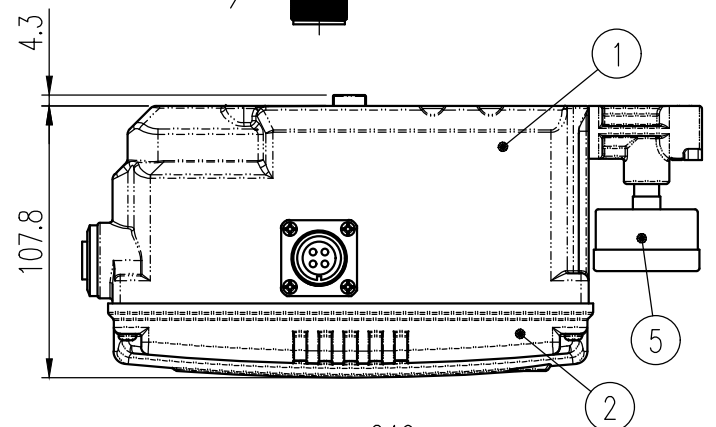
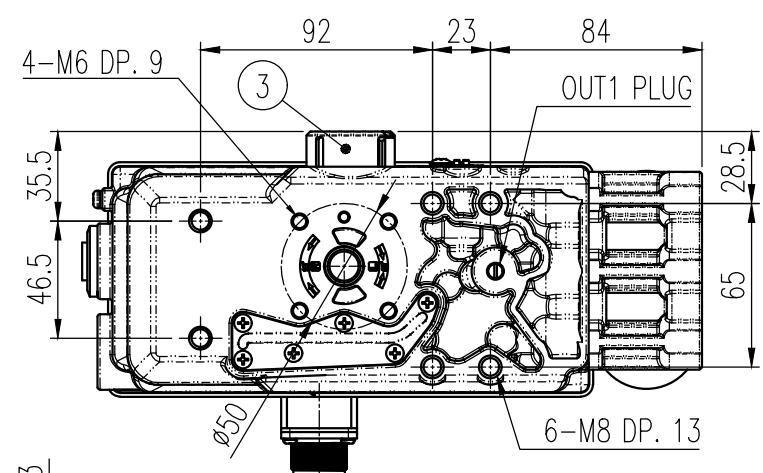
REV.NO.	REVISION DESCRIPTION	DRAWN / DATE	REVIEWED / DATE	APPROVED / DATE
△	Issue for approval	KCH/121117	JCS/121117	LYH/121117
△				



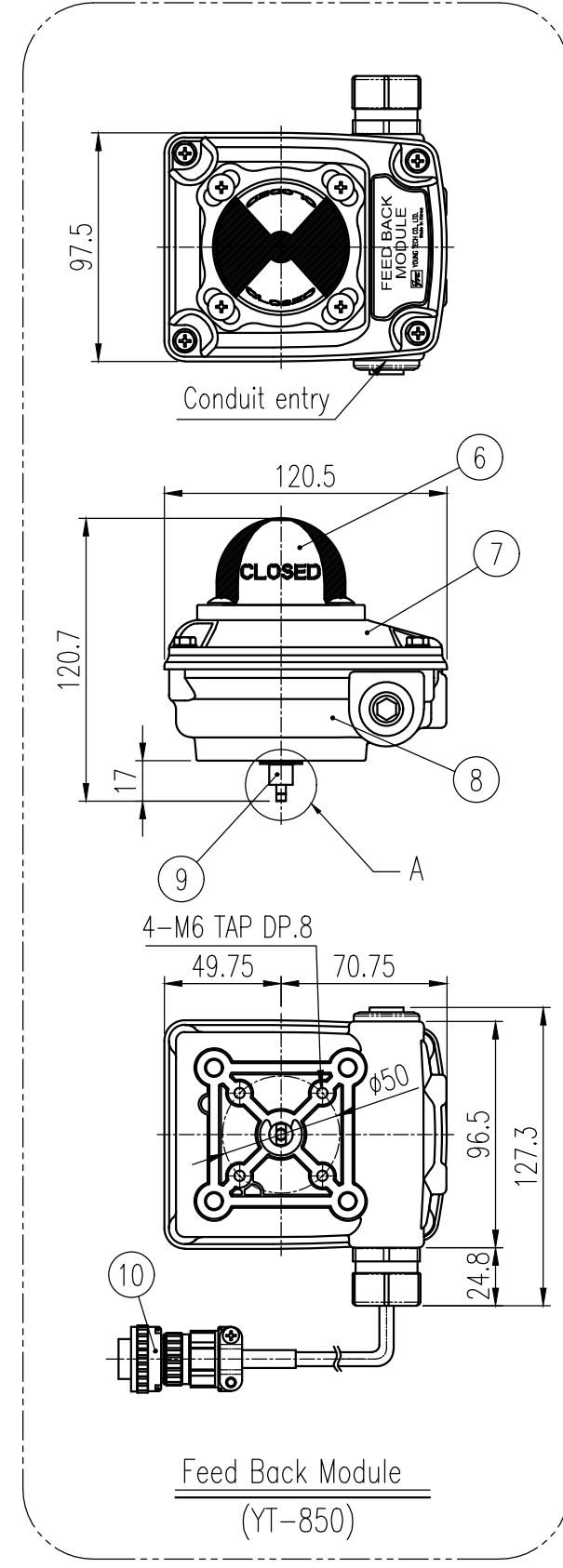
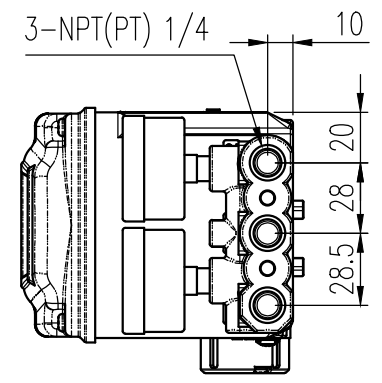
Detail A



Positioner & Feed Back Module



No.	Part Name	Material	Q'ty	Remark
1	Base Body	ALDC12	1	Positioner
2	Base Cover	ALDC12	1	
3	Vent Cover	PC	1	
4	Connector	AL, NBR	1	
5	Pressure Gauge	STS304	1 or 2	Feed Back Module
6	Indicator	PC	1	
7	Base Body	ALDC12	1	
8	Base Cover	ALDC12	1	
9	Main Shaft	STS303	1	
10	Connector	AL, NBR	1	



Feed Back Module (YT-850)

Specifications (Feedback Module)

Input Type	2 Wire
Output	4 ~ 20mA DC
Noise Range	50mVp.p
Protection	IP 67
Input Signal	0 ~ 90°
Weight	Aluminum Diecasting
Material	0.6 kg(1.3 lb)

Specifications (Positioner)

Acting Type	<input type="checkbox"/> Single <input type="checkbox"/> Double
Input Signal	4 ~ 20mA DC
Impedance	Max 460 Ohm/20mA DC
Supply Pressure	0.14 ~ 0.7MPa (1.4 ~ 7bar)
Explosion Proof	<input type="checkbox"/> Non-Explosion <input type="checkbox"/> Ex ia IIC T5 <input type="checkbox"/> Ex ia IIC T6
Repeatability	±0.3% F.S.
Operating Temp.	-30 ~ 85°C (-22 ~ 185°F)
Explosion Ambient Temp.	-40 ~ 60°C(T5) / -40 ~ 40°C(T6)
Hysteresis	±0.5% F.S.
Sensitivity	±0.2% F.S.
Linearity	±0.5% F.S.
Air Connection	(N)PT 1/4
Gauge Connection	(N)PT 1/8
Conduit	PF 1/2 (G 1/2)
Air consumption	Below 2LPM (sup0.14MPa, 1.4bar)
Flow Capacity	70LPM (sup0.14MPa, 1.4bar)
Protection	IP66
Main Board MPU	16 bit Micro Controller
A/D Converter	12 bit
D/A Converter	12 bit
LCD Operation Temp.	-20 ~ 70°C (-4 ~ 158°F)
Output Characteristics	<input type="checkbox"/> Linear <input type="checkbox"/> EQ% <input type="checkbox"/> User defined <input type="checkbox"/> Quick Open
Material	Aluminum Diecasting
Weight	2.1kg (4.6 lb)

SURFACE TEXTURE	-	PRODUCT NAME	SMART POSITIONER	PROJECT NAME	YTC YOUNG TECH CO., LTD. SEOUL, KOREA
FINISH TREATMENT	-	MODEL	YT-3301L		
MATERIAL	-	PROJECTION	3rd	SCALE	1 / 3
OTHERWISE NOTE	-	GENERAL TOLERANCE	-	QUANTITY	1
				SHEET No.	1 / 1
				TITLE	REMOTE SMART LINEAR POSITIONER ASS'Y DWG
				DRAWING NO.	YT-3301R STANDARD
				REV.	0



2012.10.08