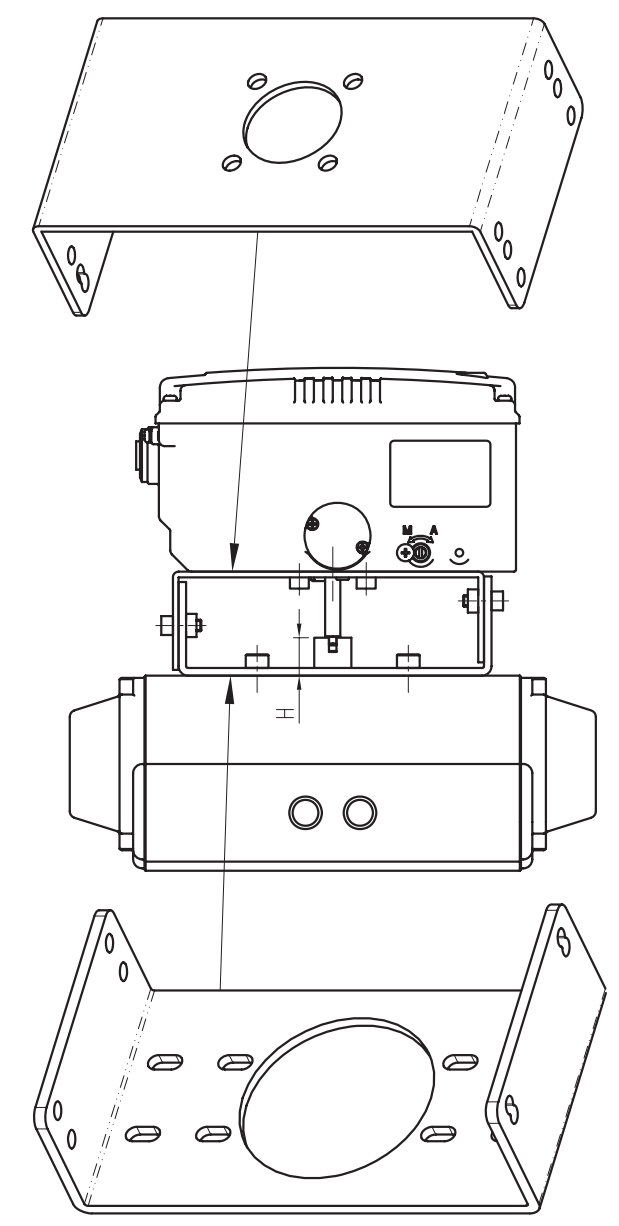
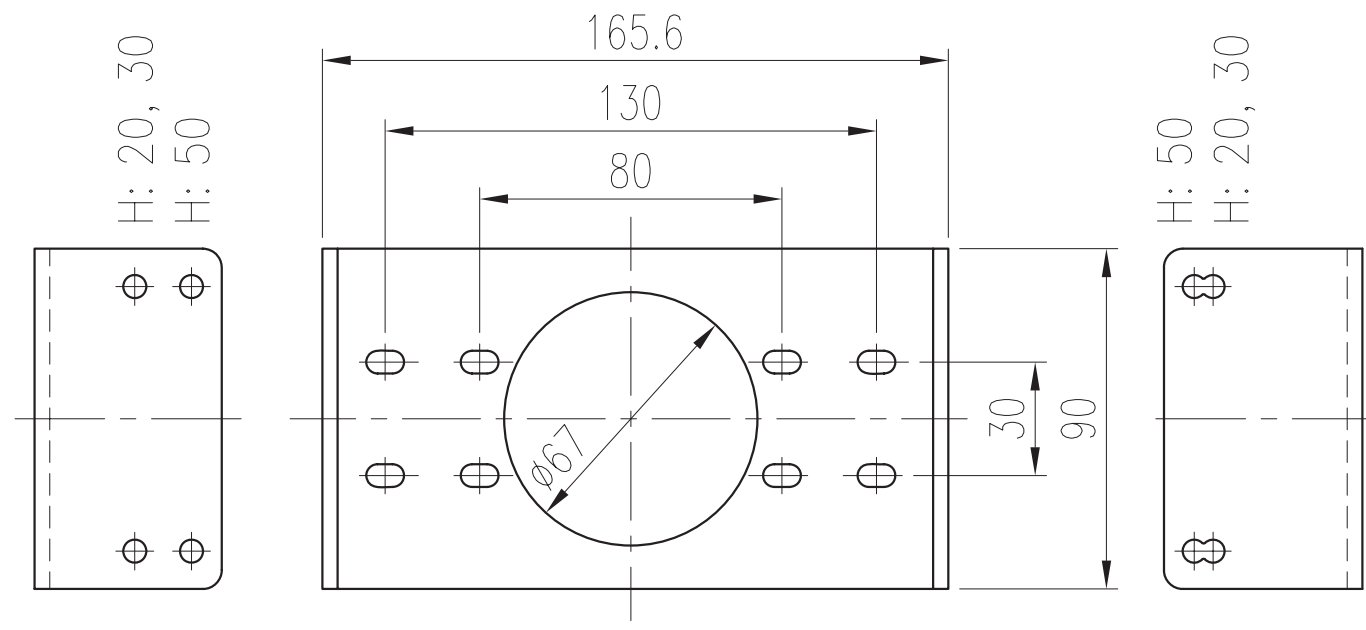
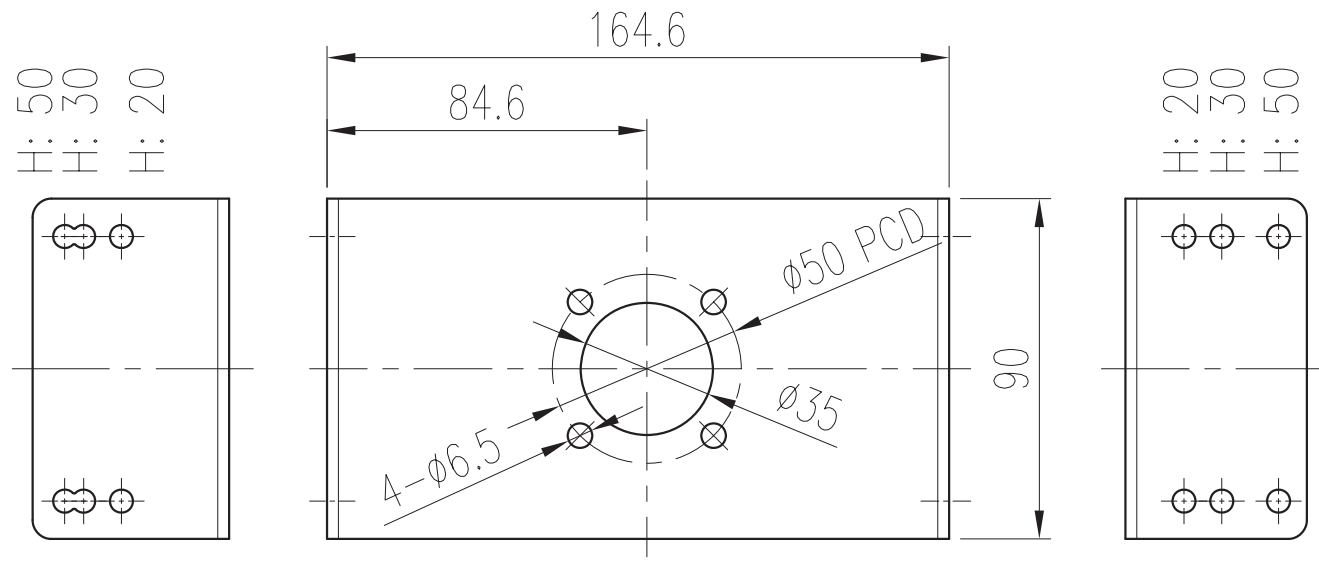


REV.NO.	REVISION DESCRIPTION	DRAWN / DATE	REVIEWED / DATE	APPROVED / DATE
△	ISSUE FOR APPROVAL	CHKIM/101129		
△				



YT-3300R MASTER



SURFACE-TEXTURE		PRODUCT NAME SMART POSITIONER		PROJECT NAME -	
FINISH-TREATMENT		MODEL YT-3300		YOUNG TECH CO., LTD. SEOUL, KOREA	
MATERIAL		PROJECTION 3rd	SCALE 1 / 2	TITLE YT-3300R BRACKET ASSY	
OTHERWISE-NOTE	GENERAL TOLERANCE	QUANTITY 1	SHEET No. 1 / 1	DRAWING NO. -	REV. 0