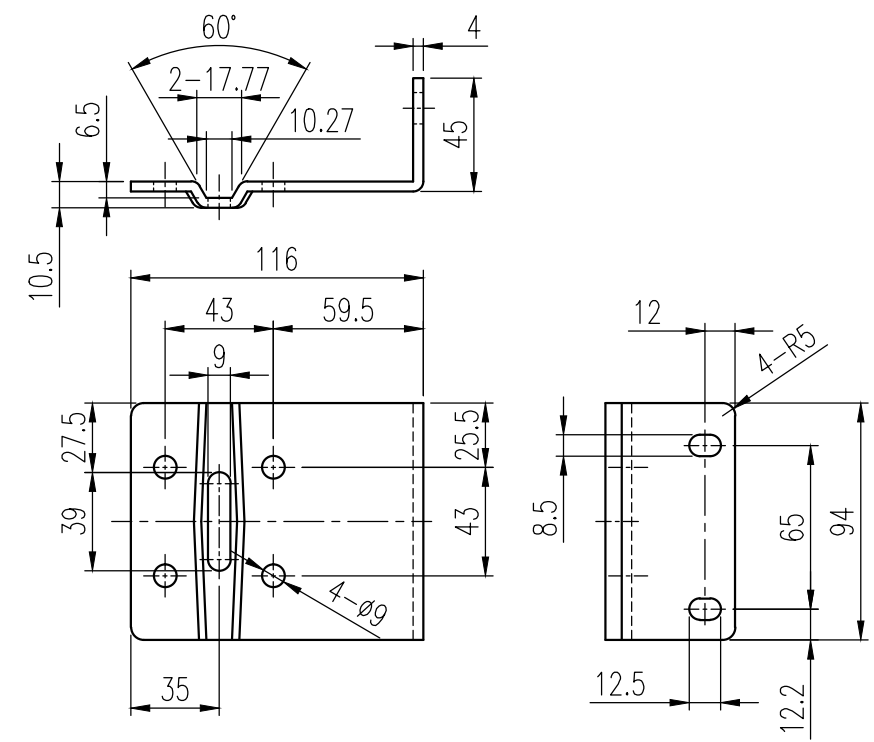
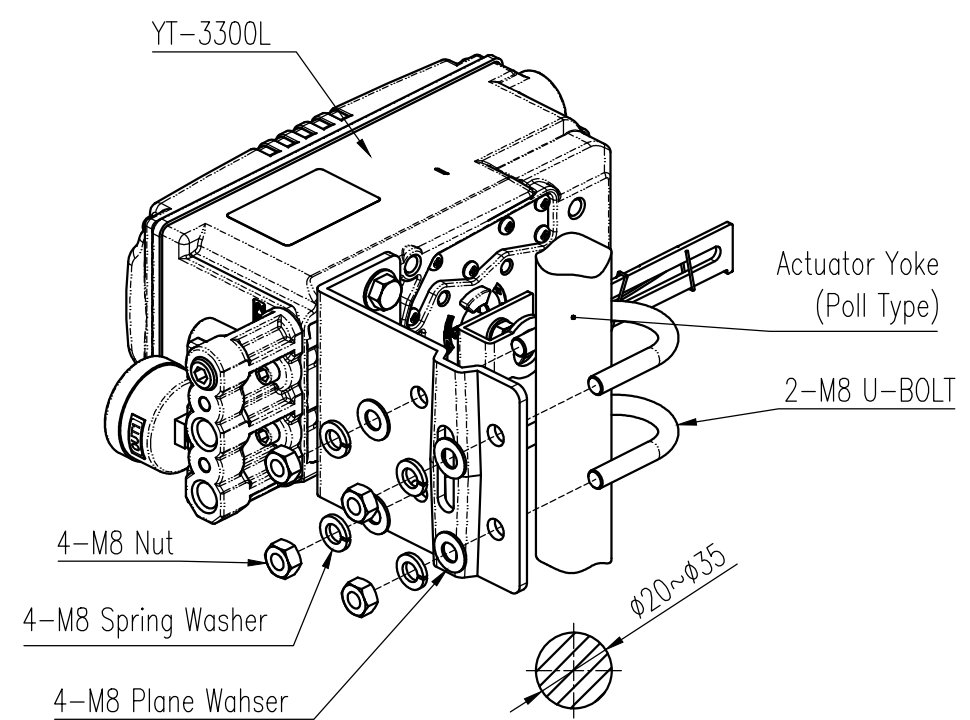
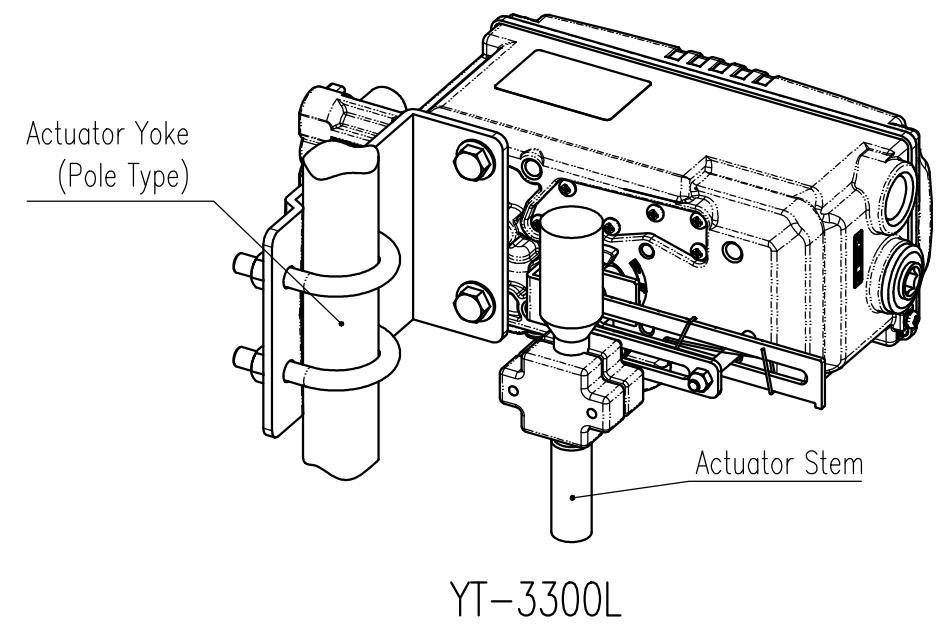


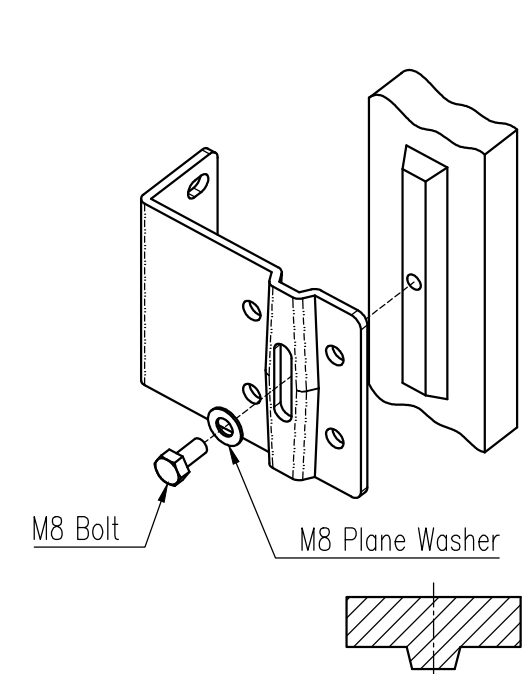
REV.NO.	REVISION DESCRIPTION	DRAWN / DATE	REVIEWED / DATE	APPROVED / DATE
△	First Issued	CHKIM/121224		
△				



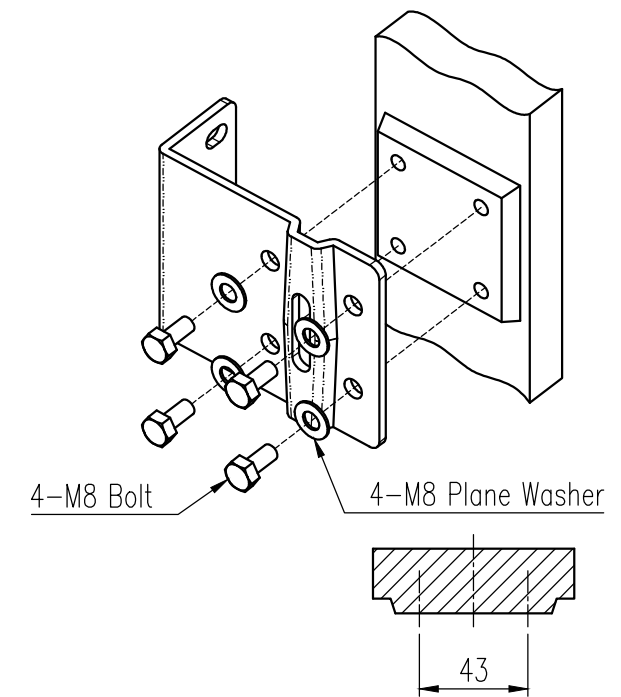
Linear Namur Bracket (YT-3300L)



Pole Type Actuator Yoke



Rib Type Actuator Yoke



Plane Type Actuator Yoke



SURFACE TEXTURE		PRODUCT NAME SMART POSITIONER		PROJECT NAME -	
FINISH TREATMENT		MODEL YT-3300		YOUNG TECH CO., LTD. SEOUL, KOREA	
MATERIAL		PROJECTION 3rd	SCALE 1 / 1	TITLE YT-3300L NAMUR BRACKET ASS'Y	
OTHERWISE NOTE		GENERAL TOLERANCE	QUANTITY 1	DRAWING NO. 3300L AA 00 A1	REV. 0

2012.10.08