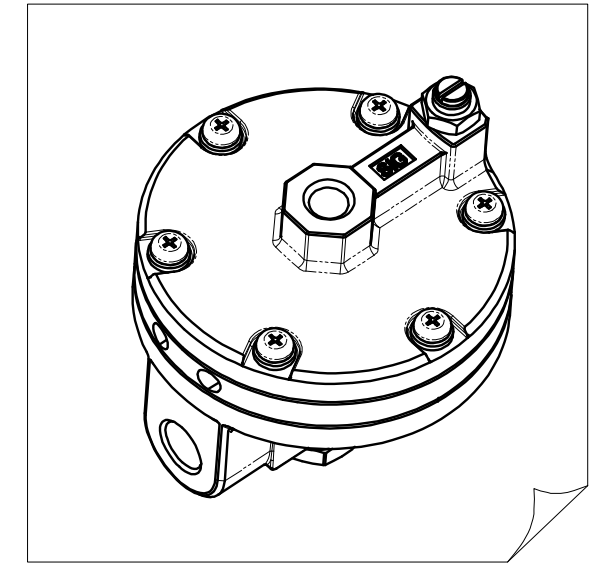
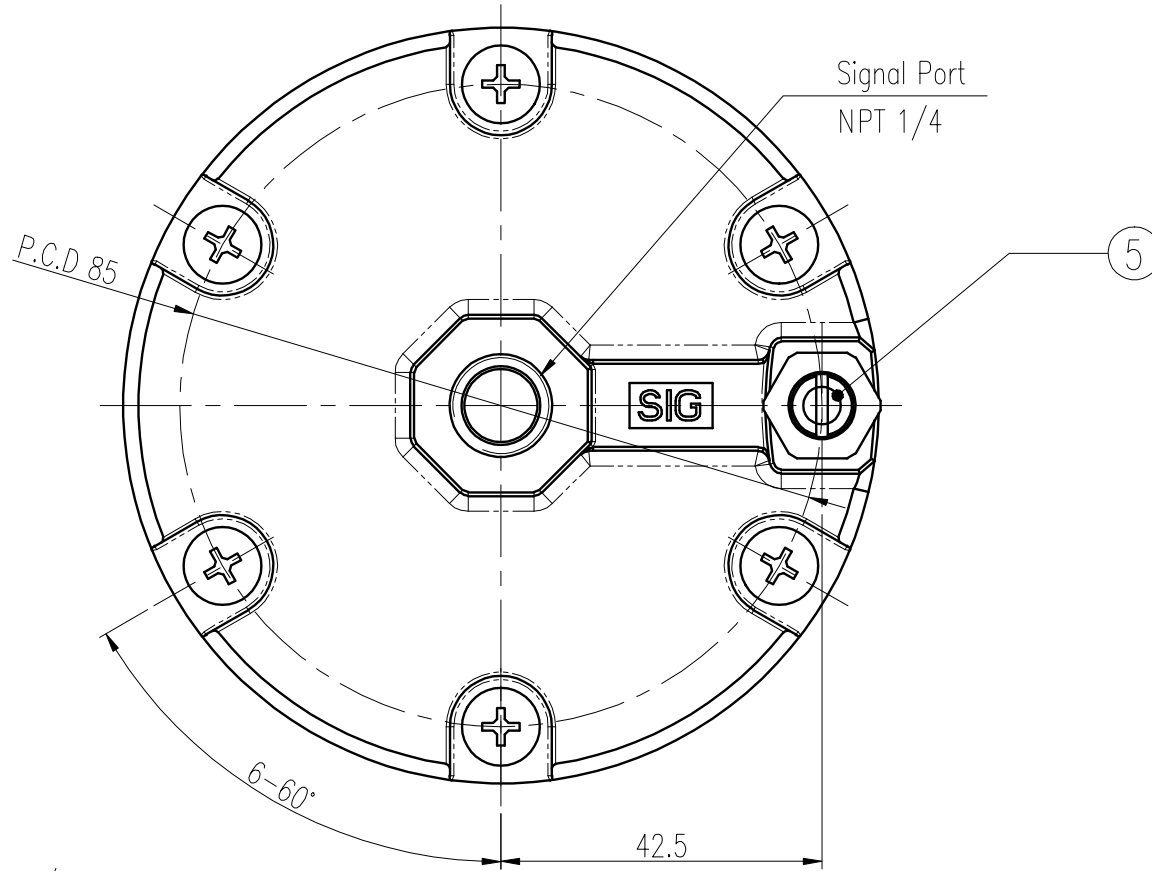
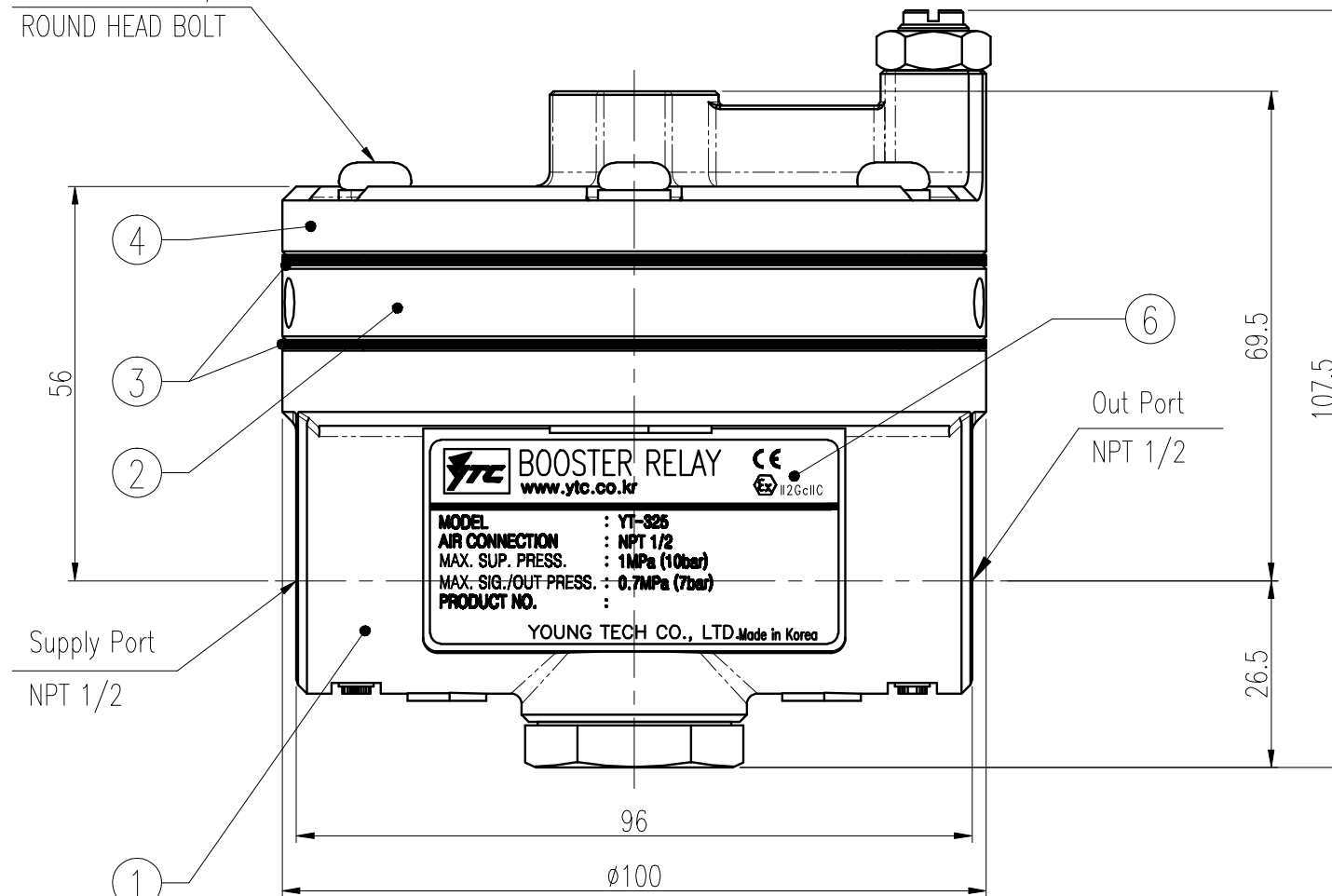


REV.NO.	REVISION DESCRIPTION	DRAWN / DATE	REVIEWED / DATE	APPROVED / DATE
△	ISSUE FOR APPROVAL	HSS/100224	JCS/100224	LYH/100224
△				



6-M6X30 WITH S/W
ROUND HEAD BOLT



YTC BOOSTER RELAY CE
www.ytc.co.kr

MODEL : YT-325
AIR CONNECTION : NPT 1/2
MAX. SUP. PRESS. : 1MPa (10bar)
MAX. SIG./OUT PRESS. : 0.7MPa (7bar)
PRODUCT NO. :
YOUNG TECH CO., LTD. Made in Korea

SPECIFICATIONS

Max. Supply Pressure	1MPa (10bar)
Max. In/Out Pressure	0.7MPa (7bar)
In/Out Pressure Ratio	1 : 1
Flow Capacity(Cv)	2.62
In/Out Connection	NPT 1/2
Signal Connection	NPT 1/4
Ambient Temperature	-20 ~ 70°C (-4 ~ 158°F)
Linearity	± 1%(F.S.)
Hysteresis	± 1%(F.S.)
Weight	1.9kg (4.2lb)

NO.	PART NAME	MATERIAL	Q'TY	REMARK
6	NAME PLATE	은주PET50	1	
5	BOLT ADJUST	STS316	1	
4	COVERBASE	STS316	1	
3	DIAPHRAGM	NBR	2	
2	RING EXHAUST	STS316	1	
1	BODYBASE	STS316	1	
				PROJECT NAME

SURFACE TEXTURE	PRODUCT NAME	YTC YOUNG TECH CO., LTD. SEOUL, KOREA	
FINISH TREATMENT	MODEL	TITLE	
MATERIAL	PROJECTION	SCALE	VOLUME BOOSTER ASS'Y DWG
OTHERWISE NOTE	GENERAL TOLERANCE	QUANTITY	
		3rd	1 / 1
		1	SHEET No. 1 / 1
			DRAWING NO. YT-325 (STANDARD)
			REV. 0