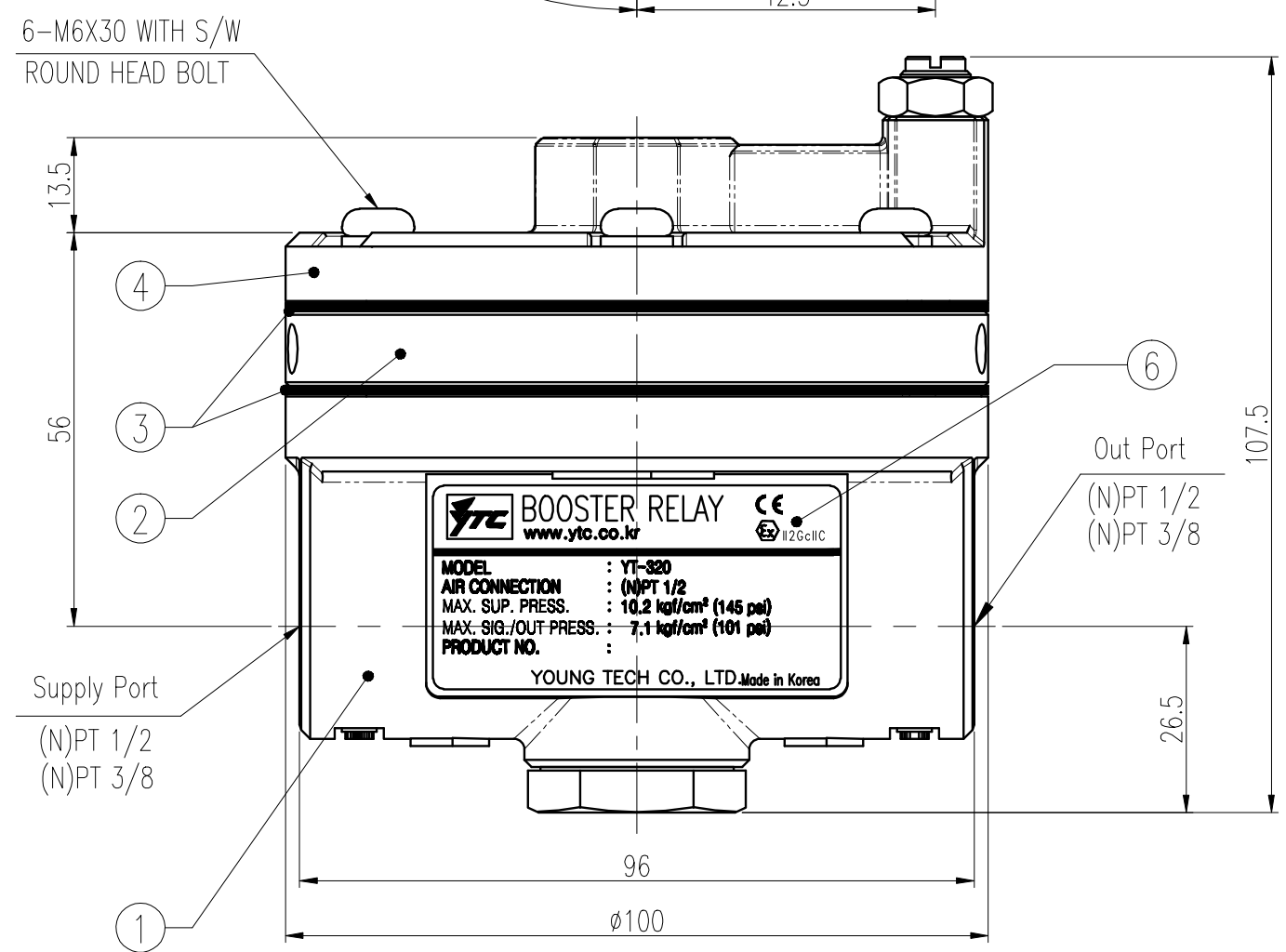
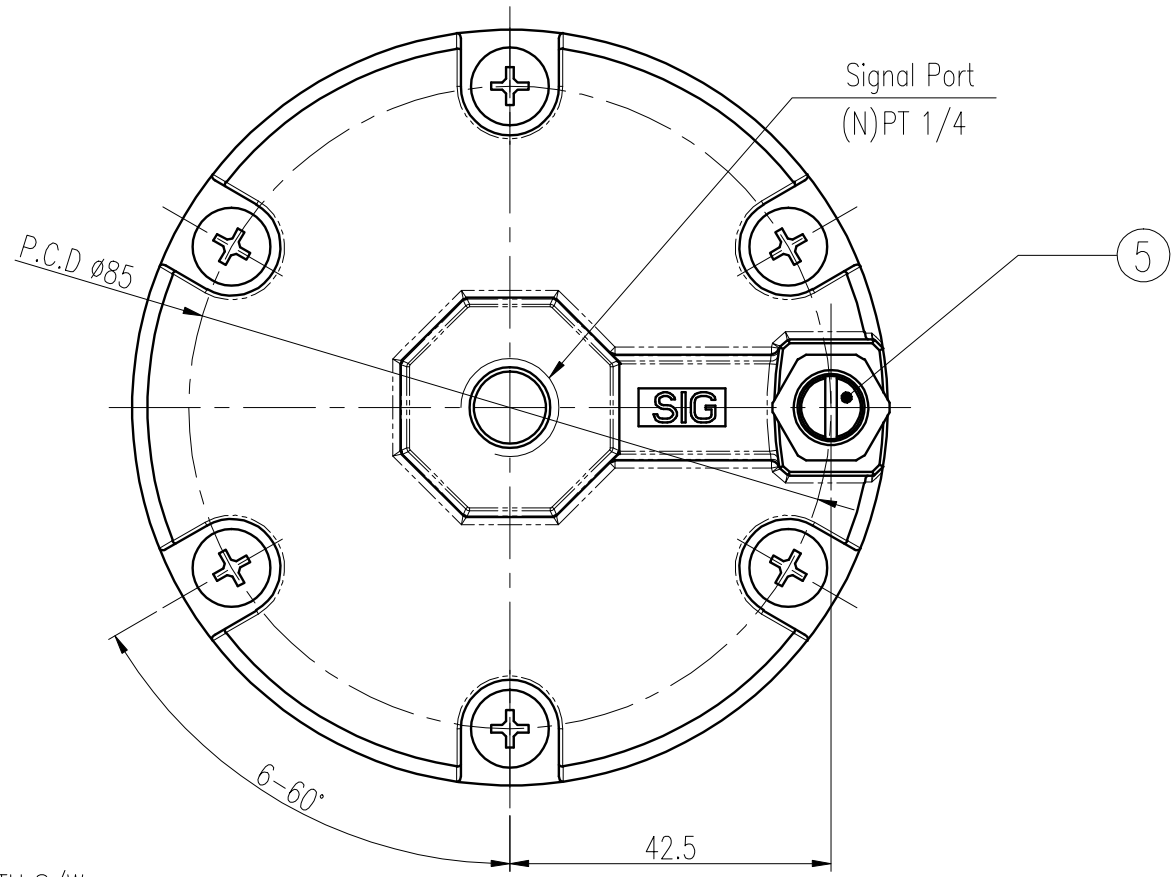


REV.NO.	REVISION DESCRIPTION	DRAWN / DATE	REVIEWED / DATE	APPROVED / DATE
△	ISSUE FOR APPROVAL	HSS/071218	JCS/071218	LYH/071218
△				



YTC BOOSTER RELAY CE
www.ytc.co.kr
MODEL : YT-320
AIR CONNECTION : (N)PT 1/2
MAX. SUP. PRESS. : 10.2 kg/cm² (145 psi)
MAX. SIG./OUT-PRESS. : 7.1 kg/cm² (101 psi)
PRODUCT NO. :
YOUNG TECH CO., LTD. Made in Korea

SPECIFICATIONS

Max. Supply Pressure	1MPa (10bar)
Max. In/Out Pressure	0.7MPa (7bar)
In/Out Pressure Ratio	1 : 1
Flow Capacity(Cv)	2.62
In/Out Connection	<input type="checkbox"/> PT(NPT) 1/2 <input type="checkbox"/> PT(NPT) 3/8
Signal Connection	PT(NPT) 1/4
Ambient Temperature	-20 ~ 70°C (-4 ~ 158°F)
Linearity	± 1%(F.S.)
Hysteresis	± 1%(F.S.)
Weight	0.76kg (1.7lb)

NO.	PART NAME	MATERIAL	Q'TY	REMARK
6	NAME PLATE	2M CH PET	1	
5	BOLT ADJUST	STS303	1	
4	COVERBASE	ALDC12	1	
3	DIAPHRAGM	NBR	2	
2	RING EXHAUST	ALDC12	1	
1	BODYBASE	ALDC12	1	

SURFACE TEXTURE	PRODUCT NAME	YTC YOUNG TECH CO., LTD. SEOUL, KOREA	
FINISH TREATMENT	MODEL	TITLE	
MATERIAL	PROJECTION	SCALE	VOLUME BOOSTER ASS'Y DWG
OTHERWISE NOTE	GENERAL TOLERANCE	QUANTITY	
		3rd	1 / 1
		1	SHEET No. 1 / 1
			DRAWING NO. YT-320 (STANDARD)
			REV. 0