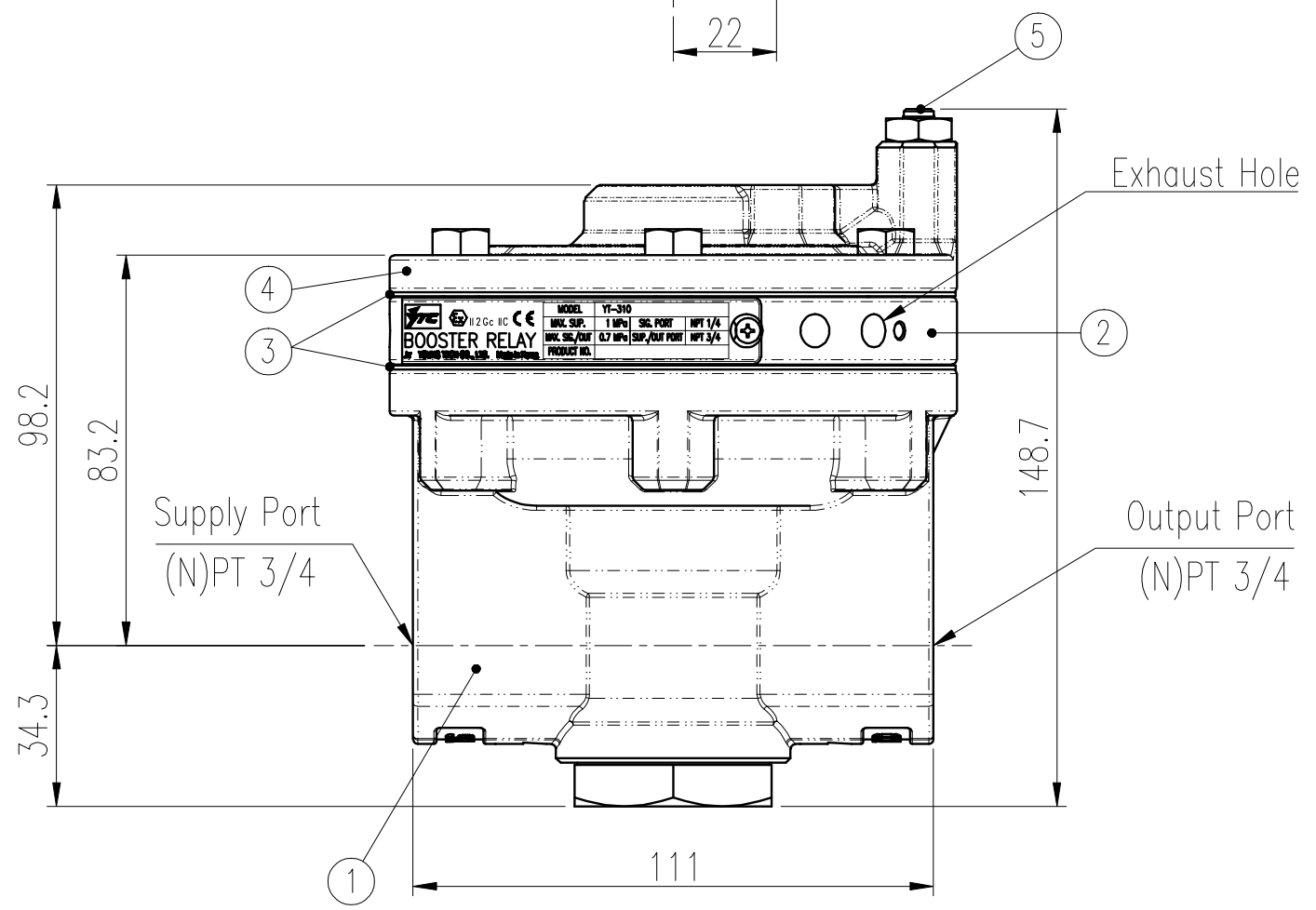
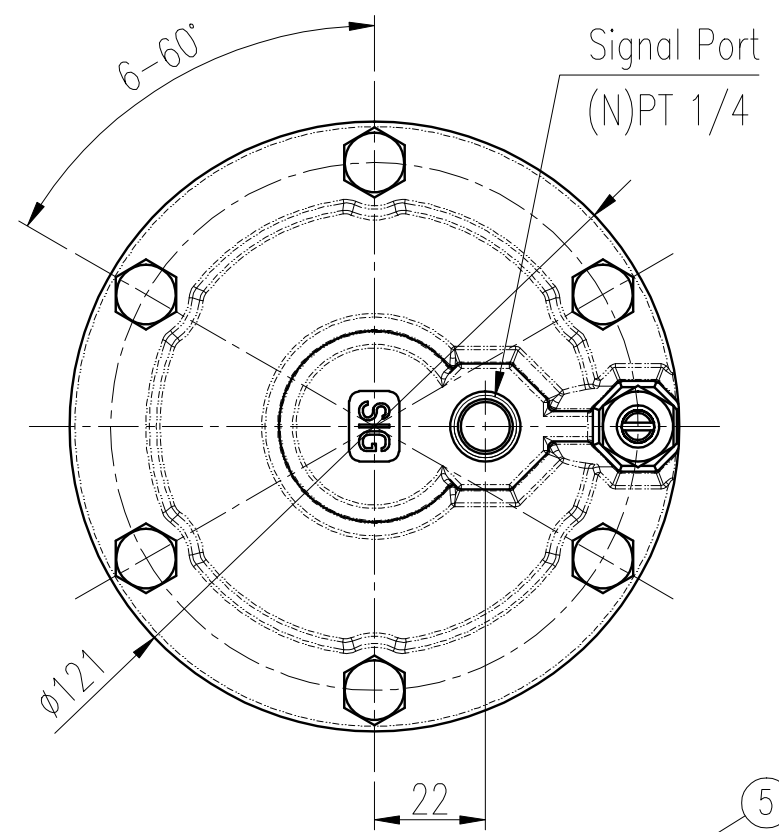


REV.NO.	REVISION DESCRIPTION	DRAWN / DATE	REVIEWED / DATE	APPROVED / DATE
△	First Issued	KCH/120807	JCS/120807	LYH/120807
△				

미상형 없을 것
Burr가 없을 것



SPECIFICATIONS

Max. Supply Pressure	1MPa (10bar)
Max. Signal/Out Pressure	1MPa (10bar)
Signal/Out Pressure Ratio	1 : 1
Flow Capacity(Cv)	4.98
Supply/Out Connection	NPT 3/4
Signal Connection	NPT 1/4
Ambient Temperature	<input type="checkbox"/> -20 ~ 70 °C (-4~158°F)
	<input type="checkbox"/> -20 ~ 120 °C (-4~248°F)
	<input type="checkbox"/> -40 ~ 70 °C (-40~158°F)
Linearity	± 1%(F.S.)
Hysteresis	± 1%(F.S.)
Weight	1.9kg (4.18lb)

5	BOLT ADJUST	STS303	1	
4	COVER BASE	ALDC12	1	
3	DIAPHRAGM	NBR	2	STANDARD
		SILICONE	2	HIGH, LOW TEMPERATURE
2	RING EXHAUST	ALDC12	1	
1	BODY BASE	ALDC12	1	
NO.	PART NAME	MATERIAL	Q'TY	REMARK
				PROJECT NAME

SURFACE TEXTURE	-	PRODUCT NAME	VOLUME BOOSTER		YOUNG TECH CO., LTD. <small>SEOUL, KOREA</small>
FINISH TREATMENT	-	MODEL	YT-310		
MATERIAL	-	PROJECTION	3rd	SCALE	1 / 1.5
OTHERWISE NOTE	-	GENERAL TOLERANCE	-	QUANTITY	1
				SHEET No.	1 / 1
					TITLE
					VOLUME BOOSTER ASS'Y DWG.
					DRAWING NO.
					YT-310 (STANDARD)
					REV.
					0

