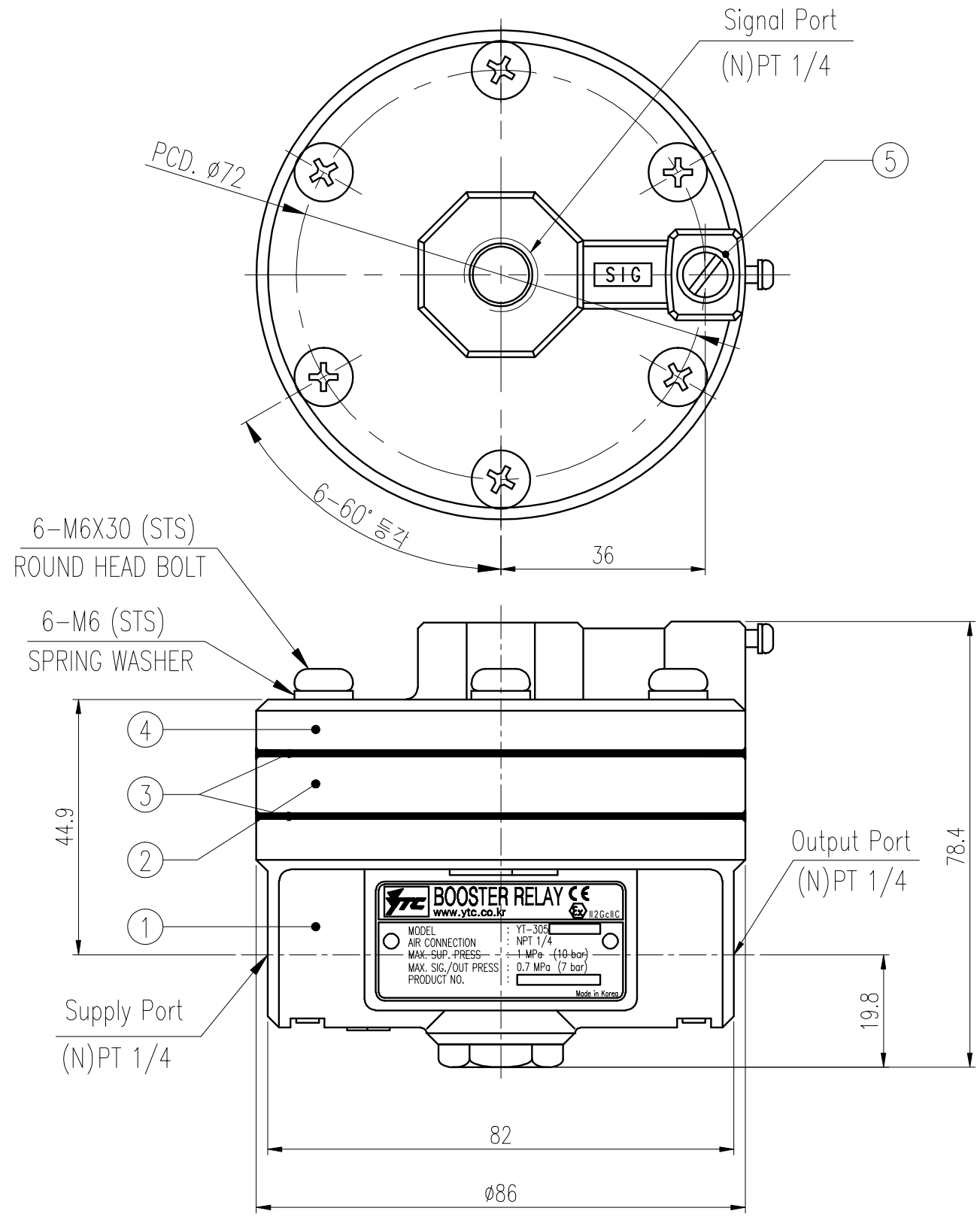


REV.NO.	REVISION DESCRIPTION	DRAWN / DATE	REVIEWED / DATE	APPROVED / DATE
△	ISSUE FOR APPROVAL	HSS/050531	KCH/050531	LYH/050531
△	ADDED A DETAIL	HSS/051108	KCH/051108	LYH/051108
△	DRAWING ARRANGEMENT	OSS/120320	JCS/120320	LYH/120320



SPECIFICATIONS

Max. Supply Pressure	1MPa (10bar)
Max. In/Out Pressure	0.7MPa (7bar)
In/Out Pressure Ratio	1 : 1
Flow Capacity(Cv)	1.02
In/Out Connection	PT(NPT) 1/4
Signal Connection	PT(NPT) 1/4
Ambient Temperature	-20 ~ 70°C (-4 ~ 158°F)
Linearity	± 1%(F.S.)
Hysteresis	± 1%(F.S.)
Weight	1.3kg (2.9lb)

NO.	PART NAME	MATERIAL	Q'TY	REMARK
5	ADJUST BOLT	STS303	1	
4	BASE COVER	STS316	1	
3	DIAPHRAGM	N.B.R	2	
2	EXHAUST RING	STS316	1	
1	BASE BODY	STS316	1	



SURFACE TEXTURE	PRODUCT NAME	YTC YOUNG TECH CO., LTD. SEOUL, KOREA	
FINISH TREATMENT	MODEL	YT-305	
MATERIAL	PROJECTION	SCALE	TITLE
OTHERWISE NOTE	GENERAL TOLERANCE	3rd	VOLUME BOOSTER ASS'Y DWG
		1	DRAWING NO.
		1	YT-305 (STANDARD)
		1	REV.
		1	2