


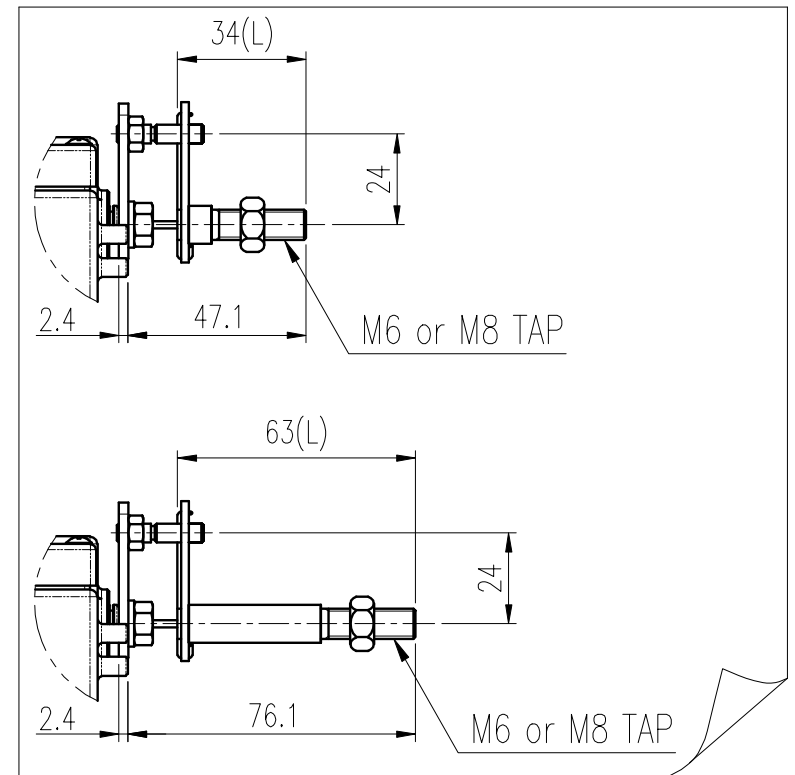
REV.NO.	REVISION DESCRIPTION	DRAWN / DATE	REVIEWED / DATE	APPROVED / DATE
△	ISSUE FOR APPROVAL	DKMIN/090226	CSJUNG/090226	YHLEE/090226
①	DRWSING ARRANGEMENT	DKMIN/100305	CSJUNG/100305	YHLEE/100305
△	DRWSING ARRANGEMENT	BJKIM/130102	DKMIN/130102	CSJUNG/130102

SPECIFICATIONS

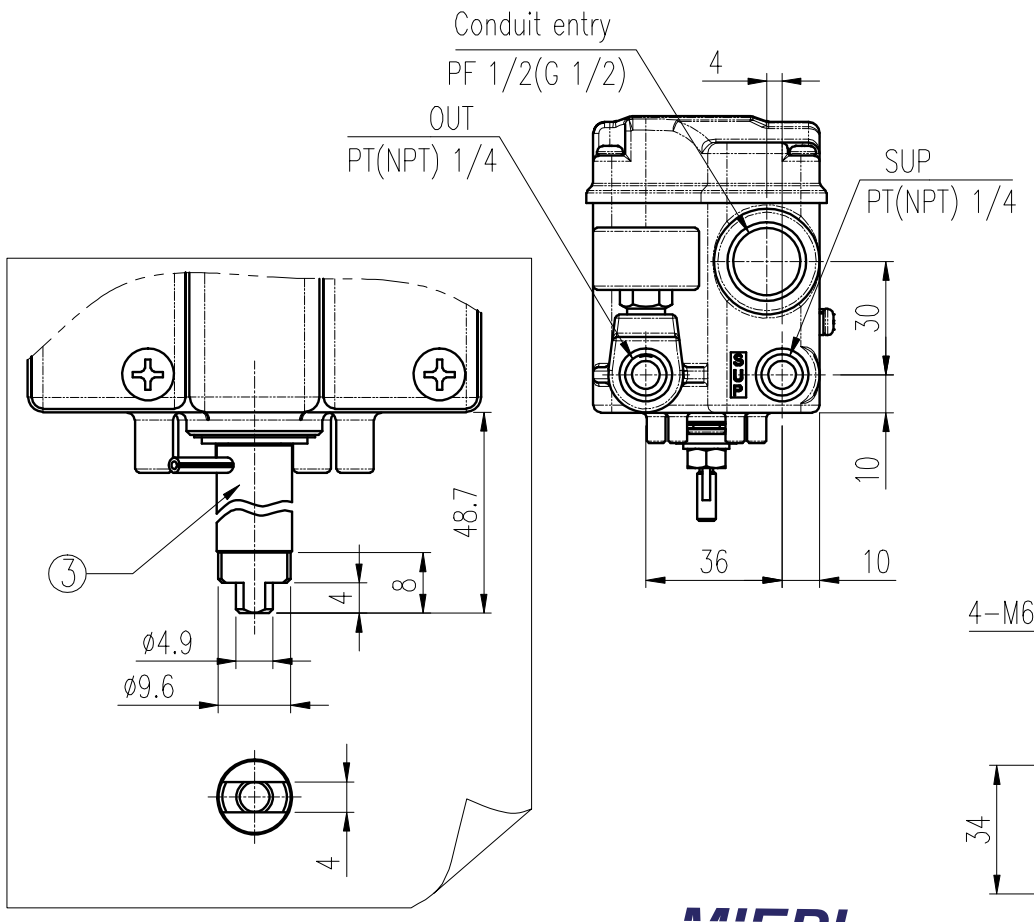
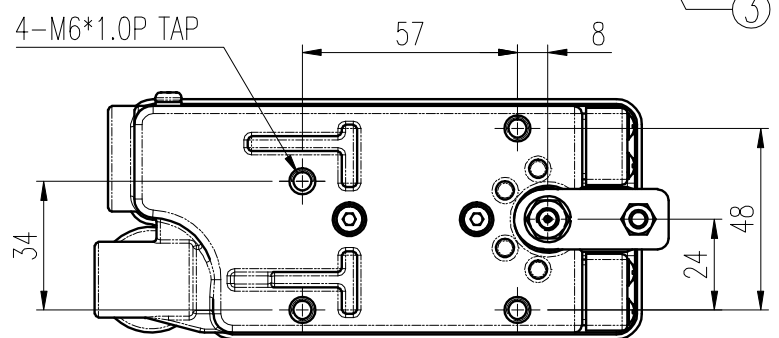
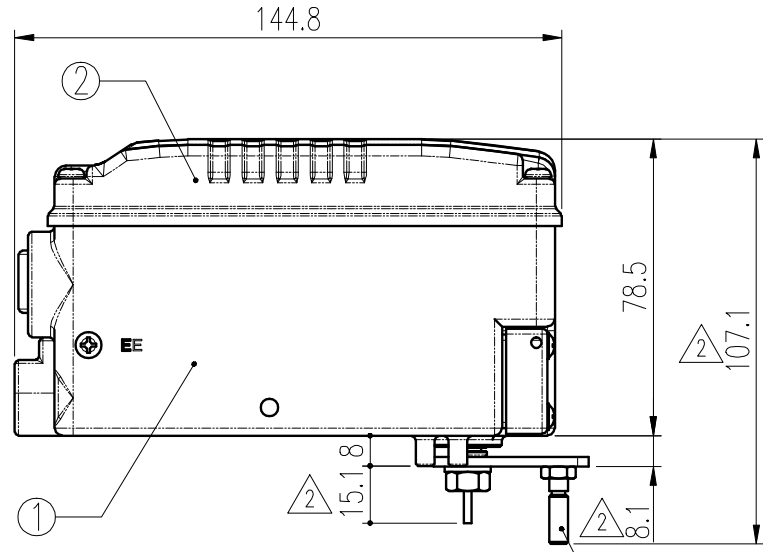
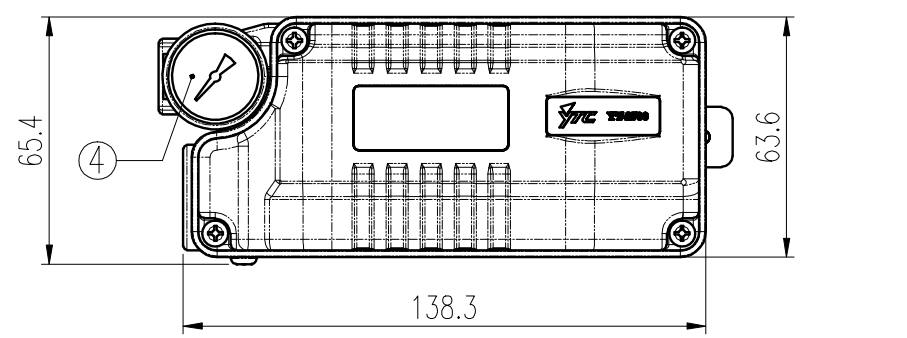
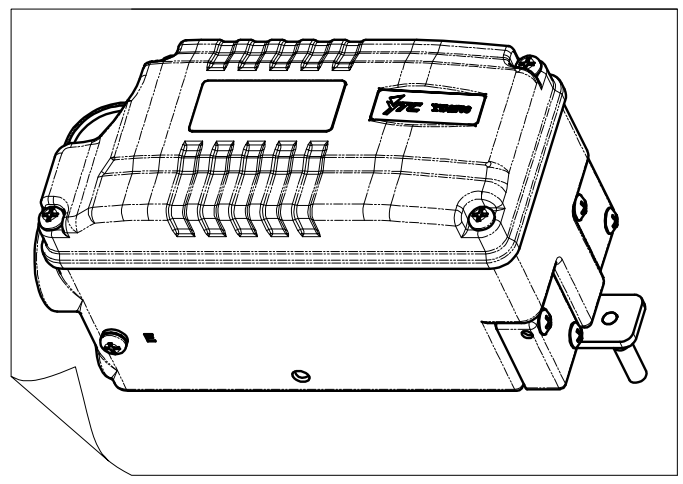
Acting Type	<input type="checkbox"/> Single	
Input Signal	4 ~ 20mA DC	
Impedance	Max 460 Ohm/20mA DC	
Supply Pressure	0.14 ~ 0.7MPa (1.4 ~ 7bar)	
Explosion Proof	<input type="checkbox"/> Non-Explosion <input type="checkbox"/> Ex ia IIC T5 <input type="checkbox"/> Ex ia IIC T6	
Stroke	0° ~ 90°	
Repeatability	±0.3% F.S.	
Operating Temp.	-30 ~ 85°C (-22 ~ 185°F)	
Explosion Ambient Temp.	-40 ~ 60°C(T5) / -40 ~ 40°C(T6)	
Hysteresis	±0.5% F.S.	
Sensitivity	±0.2% F.S.	
Linearity	±0.5% F.S.	
Air Connection	(N)PT 1/4	
Gauge Connection	(N)PT 1/8	
Conduit	PF 1/2 (G 1/2)	
Air consumption	Below 0.01LPM (sup=0.14MPa)	
Flow Capacity	9LPM (sup=0.14MPa)	
Protection	IP66	
Main Board	MPU	16 bit Micro Controller
	A/D Converter	12 bit
	D/A Converter	12 bit
LCD	Operation Temp.	-20 ~ 70°C (-4 ~ 158°F)
Output Characteristics	<input type="checkbox"/> Linear	<input type="checkbox"/> EQ%
	<input type="checkbox"/> User defined	<input type="checkbox"/> Quick Open
Material	Aluminum Diecasting	
Weight	0.82kg (1.8 lb)	
Actuator Shaft	<input type="checkbox"/> M6	<input type="checkbox"/> L=34
	<input type="checkbox"/> M8	<input type="checkbox"/> L=63
<input type="checkbox"/> NAMUR		

NO.	PART NAME	MATERIAL	Q'TY	REMARK
4	PRESSURE GAUGE	STS304	1	
3	CONNECT LEVER ASS'Y	STS303, 304P	1	LEVER FORK, NAMUR
2	COVER BASE	ALDC12	1	
1	BODY BASE	ALDC12	1	

SURFACE-TEXTURE	PRODUCT NAME SMART POSITIONER		 YOUNG TECH CO., LTD. <small>SEOUL, KOREA</small>
FINISH-TREATMENT	MODEL YT-2700R		
MATERIAL	PROJECTION 3rd	SCALE 1 / 2	TITLE SMART ROTARY POSITIONER ASS'Y DWG
OTHERWISE-NOTE	GENERAL TOLERANCE	QUANTITY 1	SHEET No. 1 / 1
			DRAWING NO. YT-2700R (SINGLE) REV. 2
			STANDARD



△ LEVER FORK TYPE



NAMUR SHAFT TYPE



2012.10.08