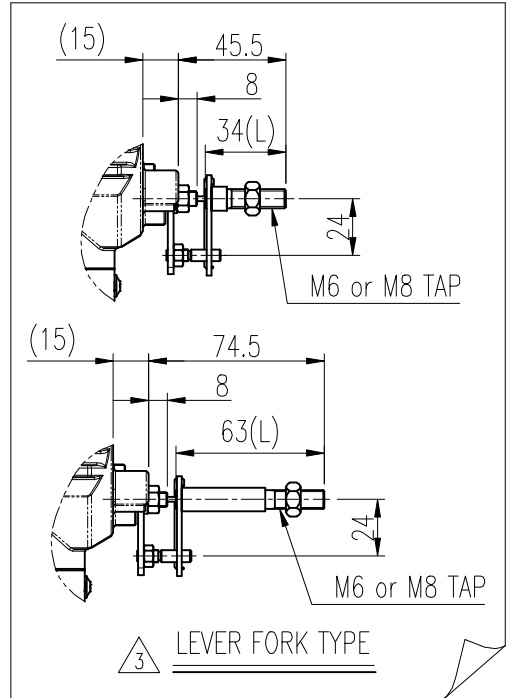
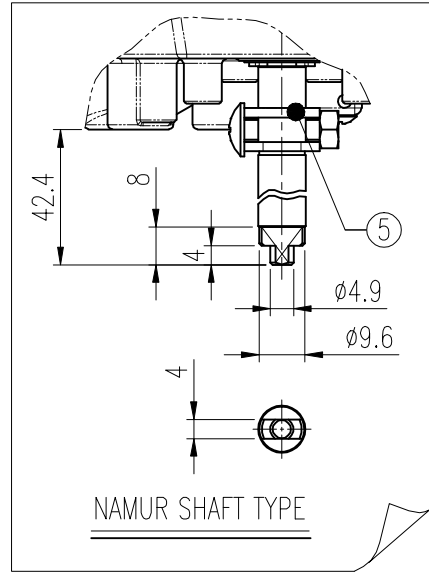
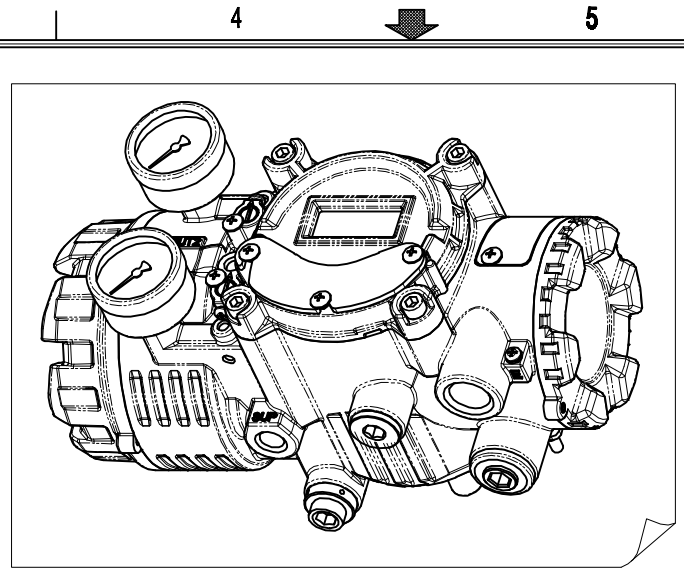
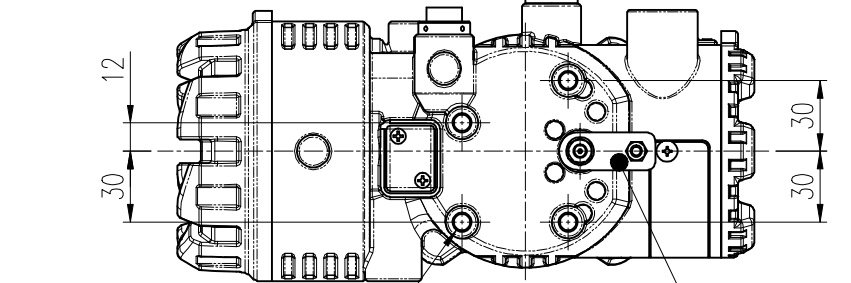
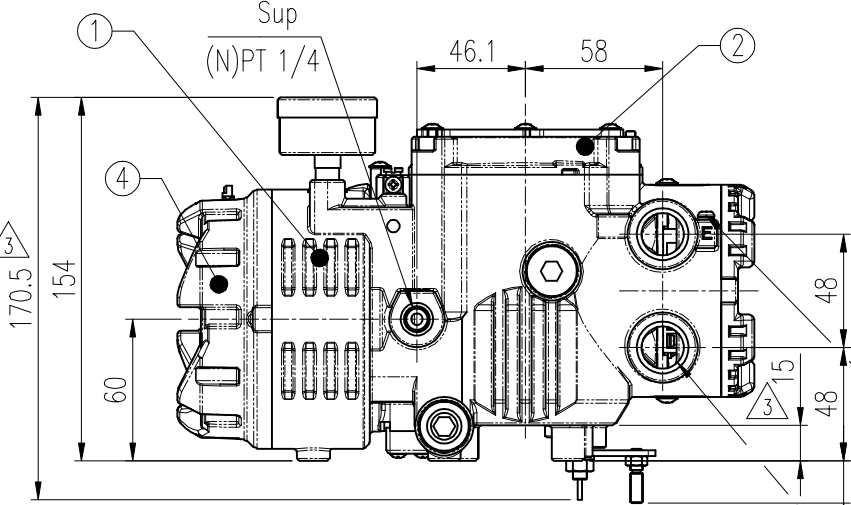
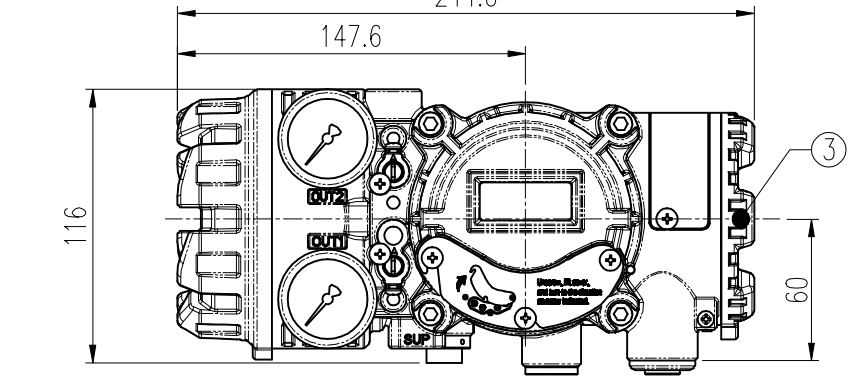
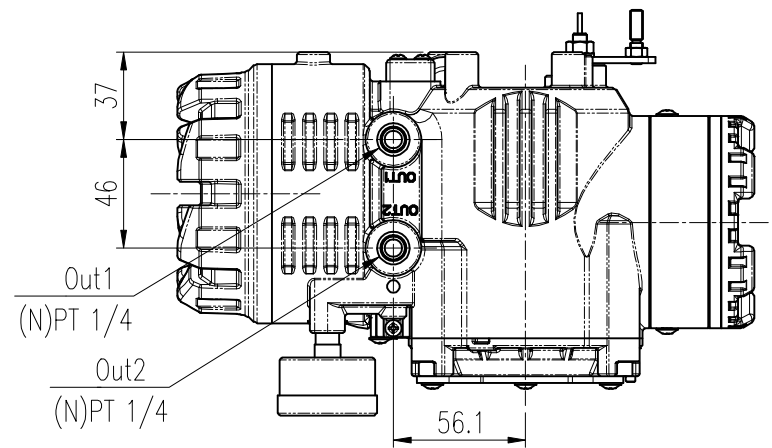


1 2 3 4 5 6 7 8

A
B
C
D
E
F



- Earth (External, Internal)
- 1. Minimum Size Wire 1mm or 18AWG.
- 2. M4*5 0.7P Round Head Screw
- 3. M4 Spring washer

2-PF1/2 (G 1/2)
 During connecting cable or conduits, it is necessary to follow flame-proof certified procedure or flame-proof certified cable gland or flexible coupling.

MIEPL
INDIAN SALES PARTNER

REV.NO.	REVISION DESCRIPTION	DRAWN / DATE	REVIEWED / DATE	APPROVED / DATE
△	최초 작성	DKMIN/090626	CSJUNG/090626	YHLEE/090626
△	SPECIFICATIONS 정리	DKMIN/100305	CSJUNG/100305	YHLEE/100305
△	치수표기 오류 수정	SSOH/120223	CSJUNG/120223	YHLEE/120223
△	치수표기 오류 수정	DKMIN/121220	CSJUNG/121220	YHLEE/121220

SPECIFICATIONS

Acting Type	<input type="checkbox"/> Single <input type="checkbox"/> Double	
Input Signal	4 ~ 20mA DC	
Impedance	Max 460 Ohm/20mA DC	
Supply Pressure	0.14 ~ 0.7MPa (1.4 ~ 7bar)	
Explosion Proof	Ex d IIC T6	
Stroke	0 ~ 90°	
Repeatability	±0.3% F.S.	
Operating Temp.	-30 ~ 85°C (-22 ~ 185°F)	
Explosion Ambient Temp.	-40 ~ 70°C (-40 ~ 158°F)	
Hysteresis	±0.5% F.S.	
Sensitivity	±0.2% F.S.	
Linearity	±0.5% F.S.	
Air Connection	(N)PT 1/4	
Gauge Connection	(N)PT 1/8	
Conduit	PF 1/2 (G 1/2)	
Air consumption	Below 0.01LPM (sup=0.14MPa)	
Flow Capacity	60LPM (sup=0.14MPa)	
Protection	IP66	
Main Board	MPU A/D Converter D/A Converter	16 bit Micro Controller 12 bit 12 bit
	LCD	Operation Temp. -20 ~ 70°C (-4 ~ 158°F)
	Output Characteristics	<input type="checkbox"/> Linear <input type="checkbox"/> EQ% <input type="checkbox"/> User defined <input type="checkbox"/> Quick Open
Material	Aluminum Diecasting	
Weight	3.0kg (6.61 lb)	
Actuator Shaft	<input type="checkbox"/> M6 <input type="checkbox"/> L=34 <input type="checkbox"/> NAMUR	
	<input type="checkbox"/> M8 <input type="checkbox"/> L=63	
Internal free volume	1,250cm ³	

5	FEEDBACK LEVER	STS303, 304P	1	FORK LEVER, NAMUR
4	COVER PILOT	ALDC12	1	
3	COVER TERMINAL	ALDC12	1	
2	COVER BASE	ALDC12	1	
1	BODY BASE	ALDC12	1	
NO.	PART NAME	MATERIAL	Q'TY	REMARK

SURFACE TEXTURE		PRODUCT NAME SMART POSITIONER		YTC YOUNG TECH CO., LTD. <small>SEOUL, KOREA</small>
FINISH TREATMENT		MODEL YT-2600R		
MATERIAL		PROJECTION 3rd	SCALE 1 / 3	TITLE SMART ROTARY POSITIONER ASS'Y DWG (Explosion Proof)
OTHERWISE-NOTE		QUANTITY 1	SHEET No. 1 / 1	DRAWING NO. YT-2600R
GENERAL TOLERANCE				REV. 3

YTC-A3