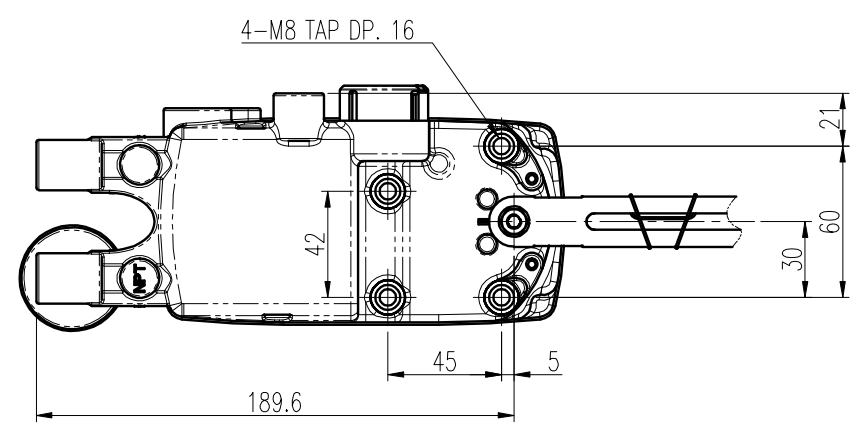
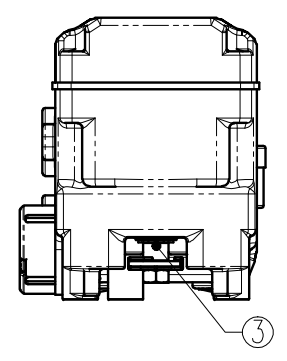
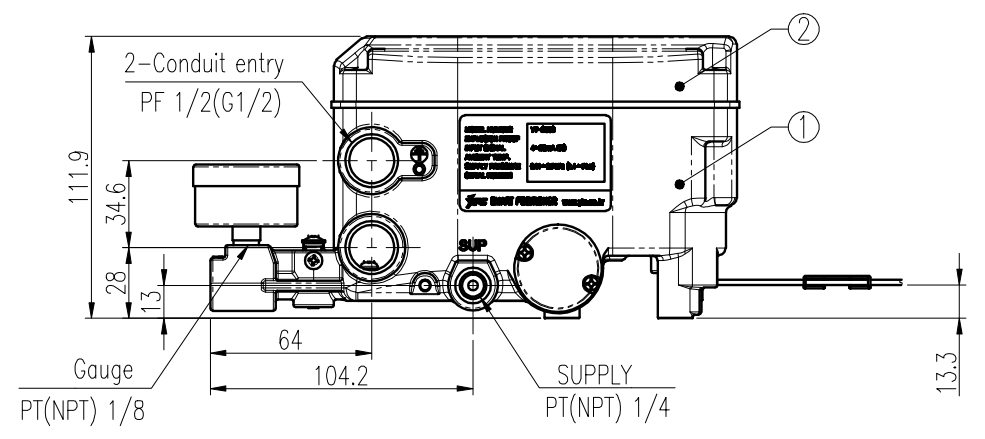
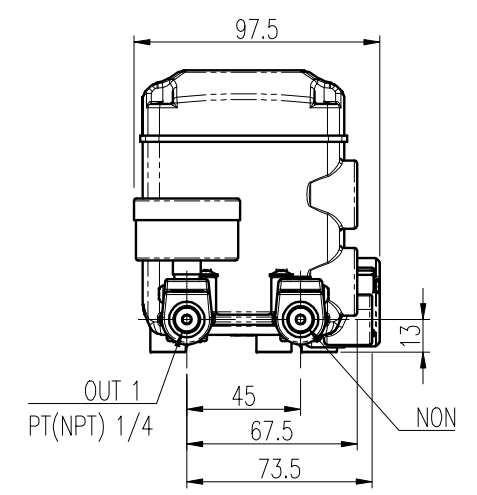
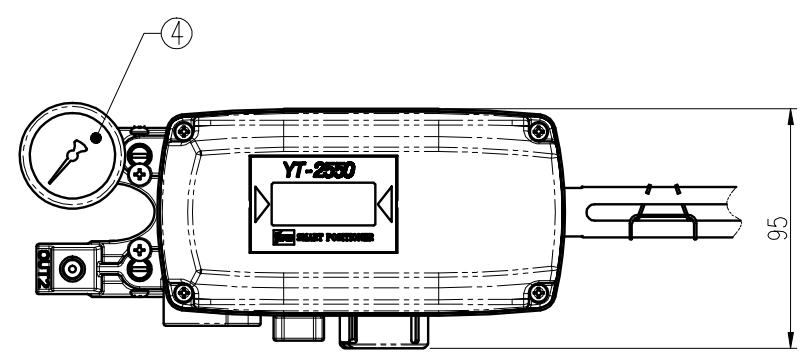
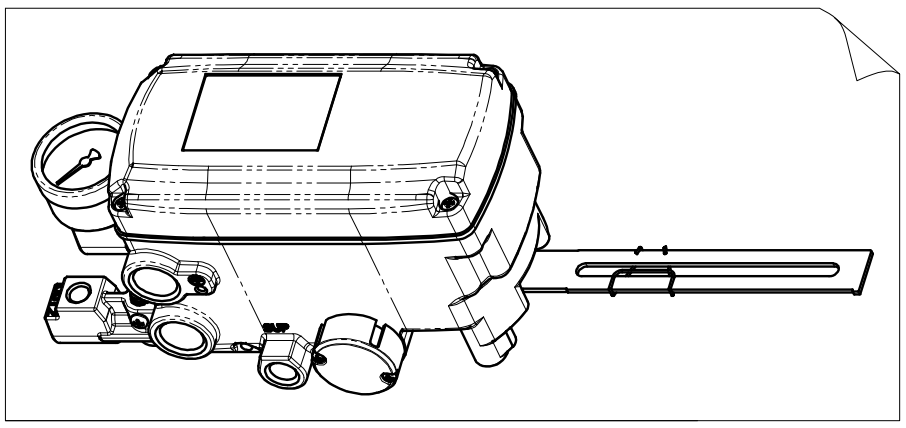
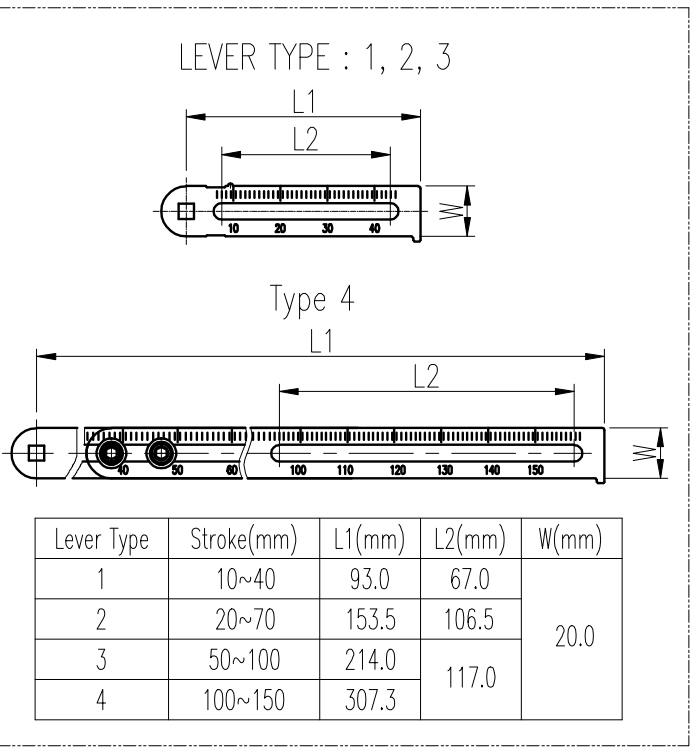


REV.NO.	REVISION DESCRIPTION	DRAWN / DATE	REVIEWED / DATE	APPROVED / DATE
△	ISSUE FOR APPROVAL	DKMIN/080229	CSJUNG/080229	YHLEE/080229
△	DRAWING ARRANGEMENT	DKMIN/100305		

**SPECIFICATIONS**

Acting Type	<input type="checkbox"/> Single	<input type="checkbox"/> Double
Input Signal	4 ~ 20mA DC	
Impedance	Max 460 Ohm/20mA DC	
Supply Pressure	0.14 ~ 0.7MPa (1.4 ~ 7bar)	
Explosion Proof	<input type="checkbox"/> Non-Explosion	<input type="checkbox"/> Ex ia IIC T5 <input type="checkbox"/> Ex ia IIC T6
Stroke	10 ~ 150mm	
Repeatability	±0.3% F.S.	
Operating Temp.	-30 ~ 85°C (-22 ~ 185°F)	
Explosion Ambient Temp.	-40 ~ 60°C(T5) / -40 ~ 40°C(T6)	
Hysteresis	±0.5% F.S.	
Sensitivity	±0.2% F.S.	
Linearity	±0.5% F.S.	
Air Connection	(N)PT 1/4	
Gauge Connection	(N)PT 1/8	
Conduit	PF 1/2 (G 1/2)	
Air consumption	Below 0.01LPM (sup=0.14MPa)	
Flow Capacity	60LPM (sup=0.14MPa)	
Protection	IP66	
Main Board	MPU	16 bit Micro Controller
	A/D Converter	12 bit
	D/A Converter	12 bit
LCD	Operation Temp.	-20 ~ 70°C (-4 ~ 158°F)
Output Characteristics	<input type="checkbox"/> Linear	<input type="checkbox"/> EQ%
	<input type="checkbox"/> User defined	<input type="checkbox"/> Quick Open
Material	Stainless steel 316	
Weight	2.9kg (6.4 lb)	
Lever Type	<input type="checkbox"/> 10~40mm	<input type="checkbox"/> 20~70mm
	<input type="checkbox"/> 50~100mm	<input type="checkbox"/> 100~150mm



4	PRESSURE GAUGE	STS304	1	
3	SHAFT MAIN	STS303	1	
2	COVER BASE	STS316	1	
1	BODY BASE	STS316	1	
NO.	PART NAME	MATERIAL	Q'TY	REMARK

SURFACE TEXTURE	PRODUCT NAME	<b>SMART POSITIONER</b>		<b>YOUNG TECH CO., LTD.</b> SEOUL, KOREA
FINISH TREATMENT	MODEL	<b>YT-2550L (SINGLE)</b>		
MATERIAL	PROJECTION	3rd	SCALE	1/3
OTHERWISE NOTE	GENERAL TOLERANCE	QUANTITY	SHEET No.	1/1
		1		
TITLE			<b>SMART LINEAR POSITIONER ASS'Y DWG</b>	
DRAWING NO.			YT-2550 (SINGLE) STANDARD	
REV.			1	

