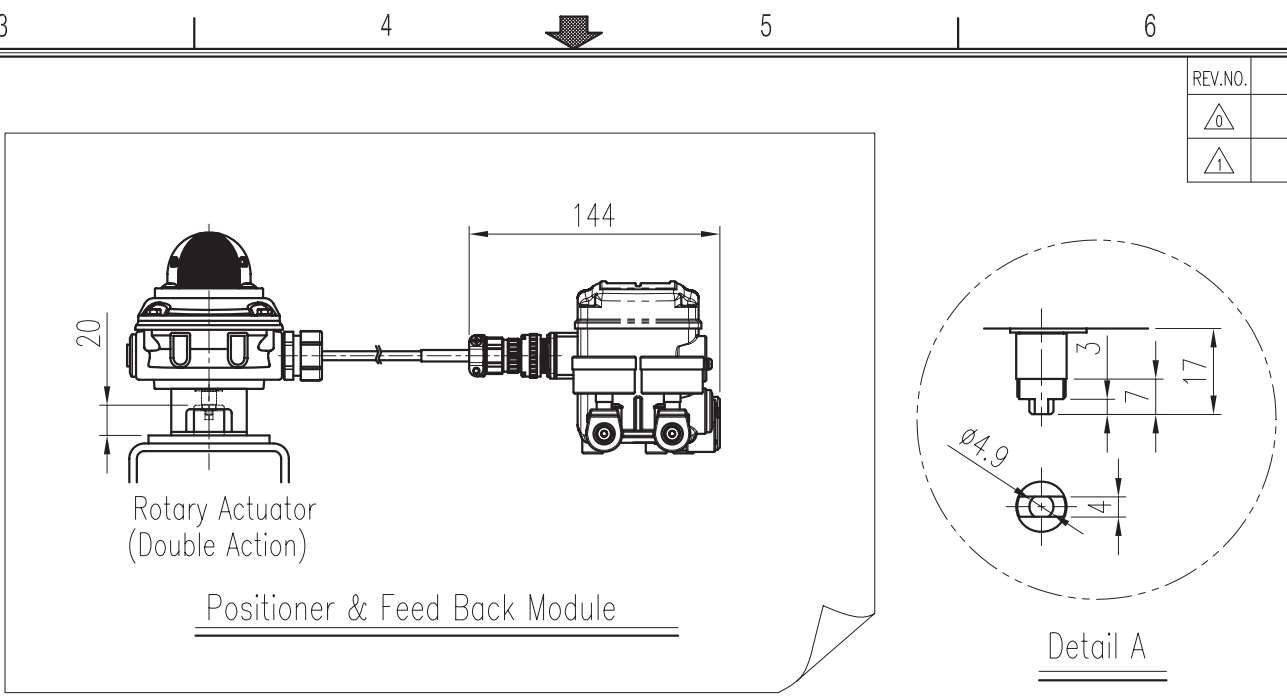
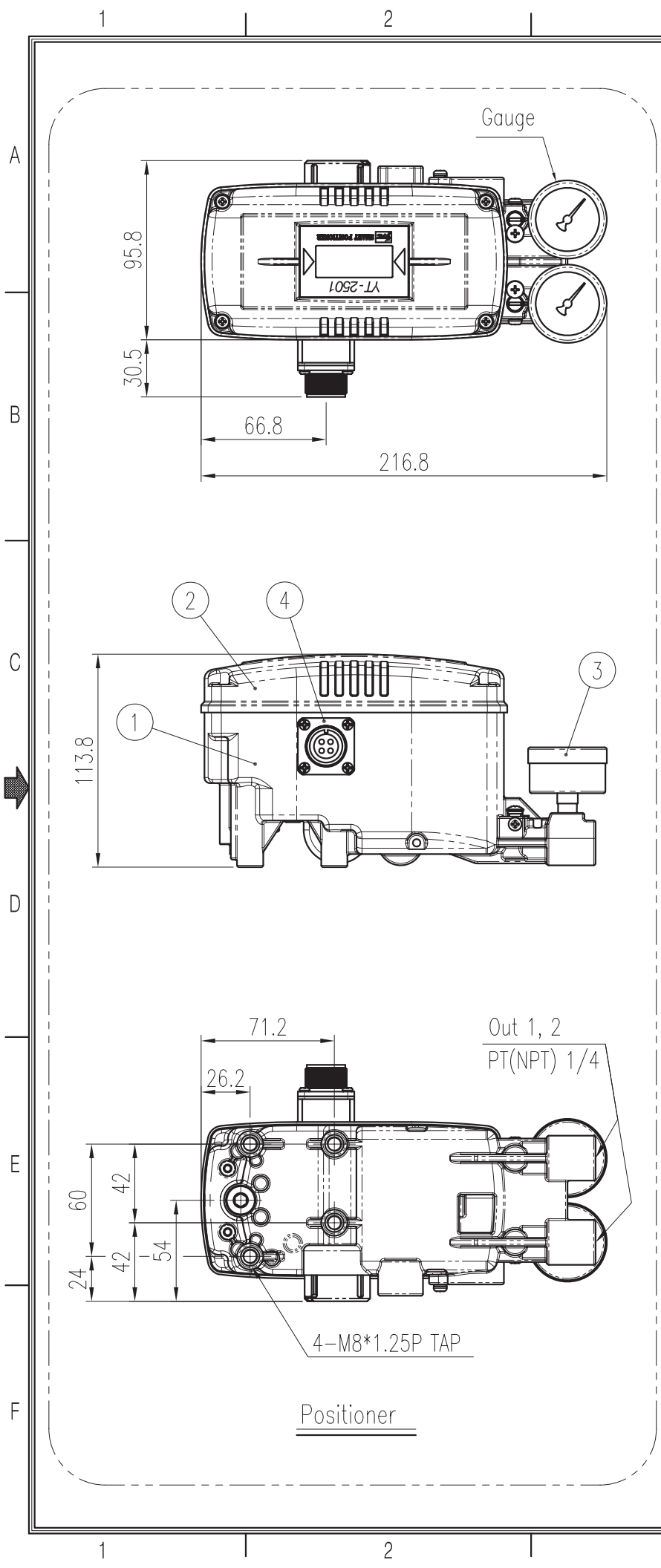
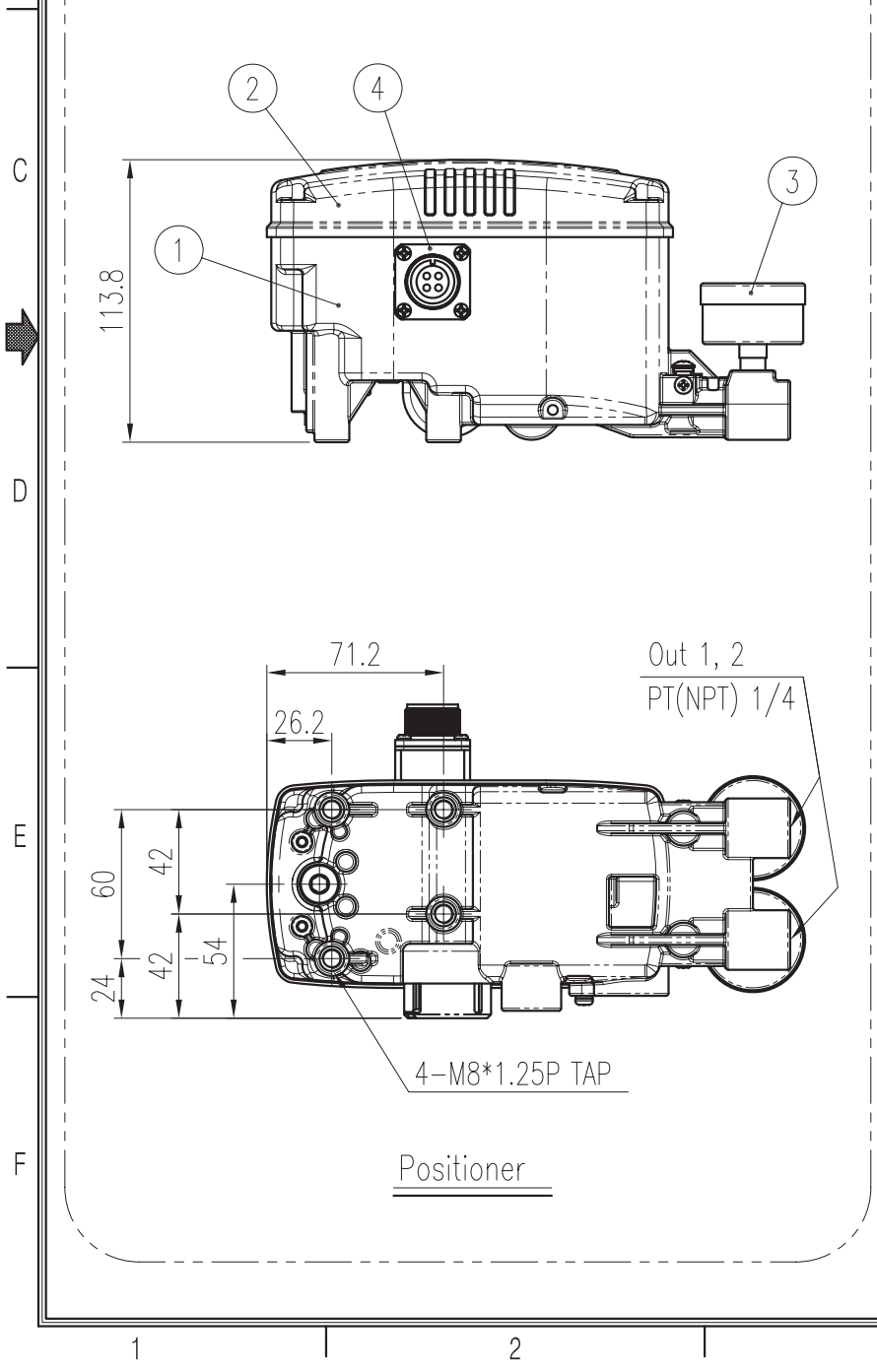


REV.NO.	REVISION DESCRIPTION	DRAWN / DATE	REVIEWED / DATE	APPROVED / DATE
△	Issue for Approval	KCH/110808	JCS/110808	LYH/110808
△				



Specifications (Feedback Module)

Input Type	2 Wire
Output	4 ~ 20mA DC
Noise Range	50mVp.p
Protection	IP 67
Input Signal	0 ~ 90°
Weight	Aluminum Diecasting
Material	0.88 kg(1.94 lb)



Specifications (Positioner)

Acting Type	Double	
Input Signal	4 ~ 20mA DC	
Impedance	Max 460 Ohm/20mA DC	
Supply Pressure	0.14 ~ 0.7MPa (1.4 ~ 7bar)	
Stroke	0° ~ 90°	
Air Connection	Supply	PT(NPT) 1/4
	Out 1	
Gauge Connection	Out 1	PT(NPT) 1/8
	Out 2	
Conduit	PF1/2 (G1/2)	
Repeatability	±0.3% F.S.	
Hysteresis	±0.5% F.S.	
Sensitivity	±0.2% F.S.	
Linearity	±0.5% F.S.	
Air consumption	Below 0.01LPM (sup0.14MPa, 1.4bar)	
Flow Capacity	60LPM (sup0.14MPa, 1.4bar)	
Main Board	MPU	16 bit Micro Controller
	A/D Converter	12 bit
	D/A Converter	12 bit
LCD	Operation Temp.	-20 ~ 70°C (-4 ~ 158°F)
Output Characteristics	<input type="checkbox"/> Linear	<input type="checkbox"/> EQ%
	<input type="checkbox"/> User defined	<input type="checkbox"/> Quick Open
Material	Aluminum Diecasting	
Protection	IP66	
Weight	1.6kg (3.5 lb)	

No.	Part Name	Material	Q'ty	Remark
1	Base Body (Single Type)	ALDC12	1	Positioner
2	Base Cover	ALDC12	1	
3	Pressure Gauge	STS304	2	
4	Connector	AL, NBR	1	Feed Back Module
5	Indicator	PC	1	
6	Base Body	ALDC12	1	
7	Base Cover	ALDC12	1	
8	Main Shaft	STS303	1	
9	Connector	AL, NBR	1	

SURFACE TEXTURE	PRODUCT NAME	YOUNG TECH CO., LTD. <small>SEOUL, KOREA</small>
FINISH TREATMENT	SMART POSITIONER (REMOTE)	
MATERIAL	MODEL	TITLE
OTHERWISE NOTE	YT-2501R (DOUBLE)	REMOTE SMART ROTARY POSITIONER ASS'Y DWG
GENERAL TOLERANCE	PROJECTION	DRAWING NO.
	3rd	YT-2501R (DOUBLE)
	SCALE	STANDARD
	1 / 3	REV.
	QUANTITY	0
	1	
	SHEET No.	
	1 / 1	

