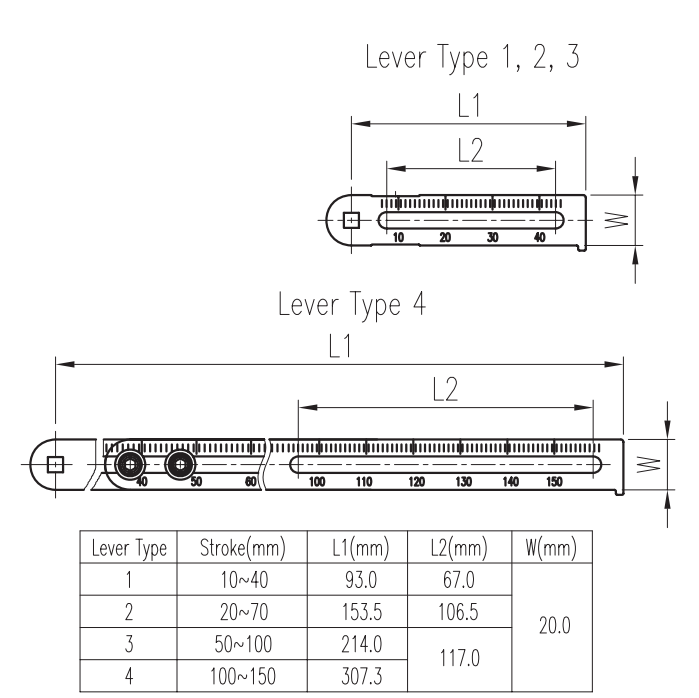
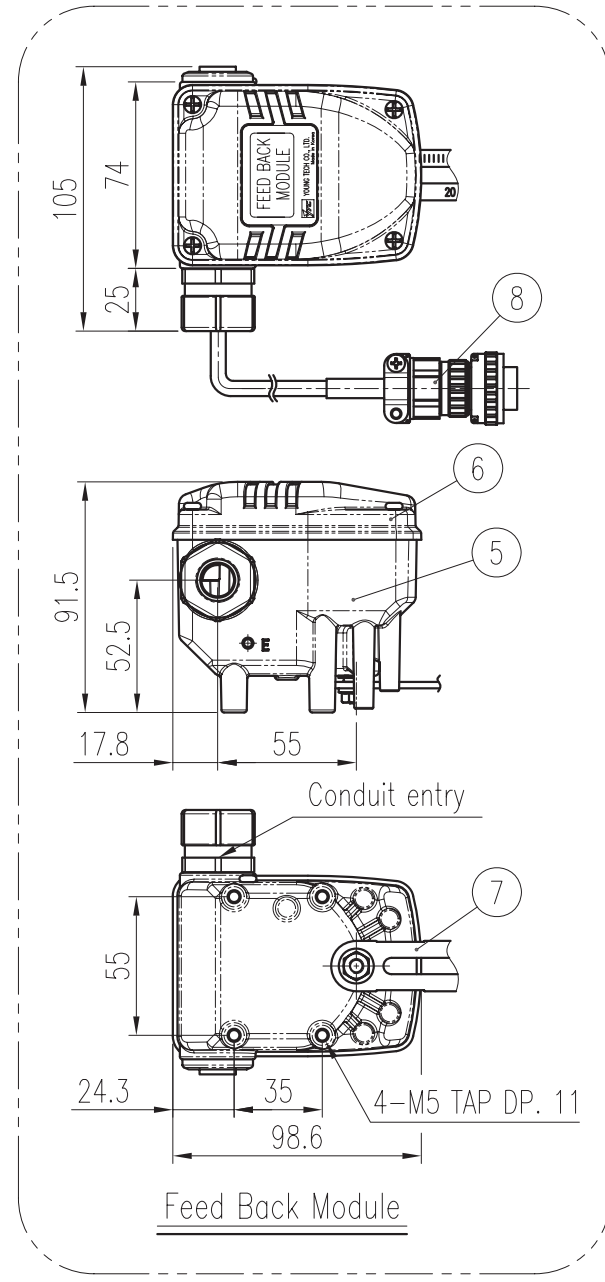
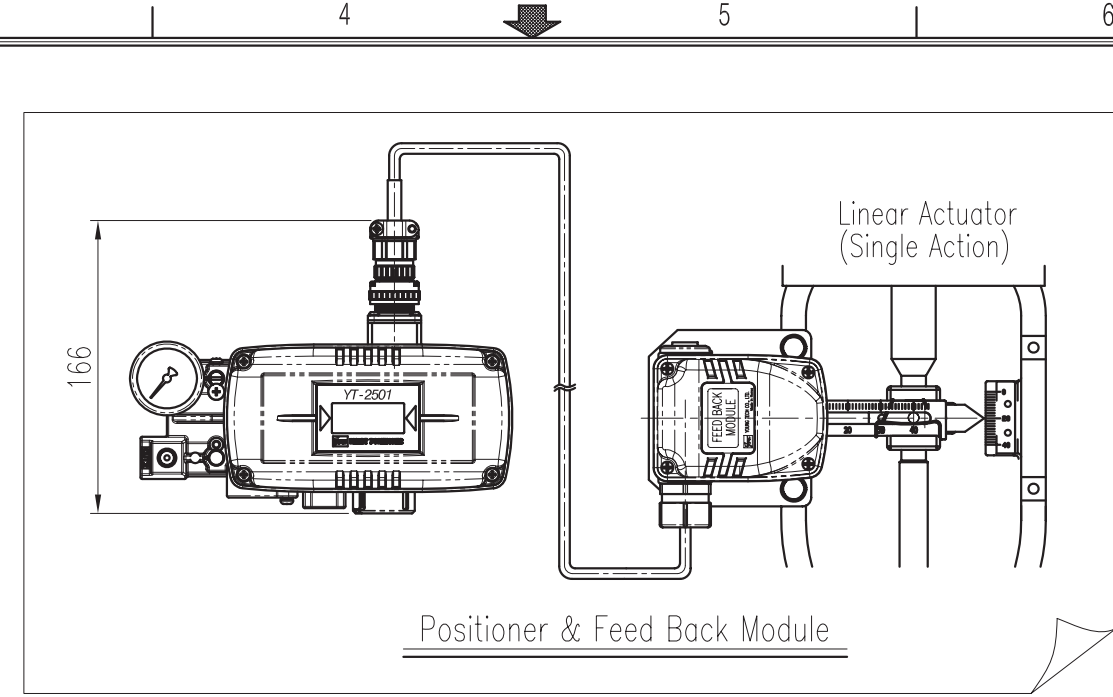
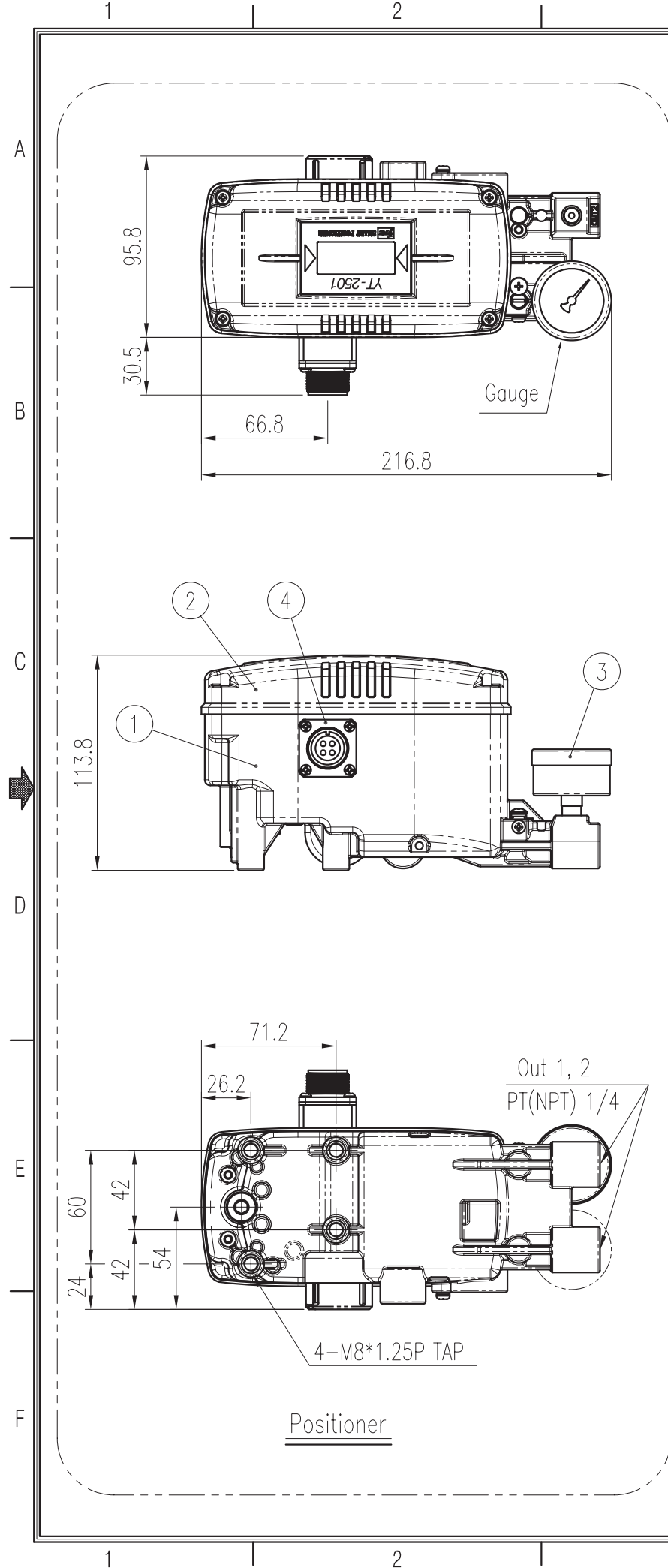


REV.NO.	REVISION DESCRIPTION	DRAWN / DATE	REVIEWED / DATE	APPROVED / DATE
△	Issue for Approval	KCH/110808	JCS/110808	LYH/110808
△				



No.	Part Name	Material	Q'ty	Remark
1	Base Body (Single Type)	ALDC12	1	Positioner
2	Base Cover	ALDC12	1	
3	Pressure Gauge	STS304	1	
4	Connector	AL, NBR	1	
5	Base Body	ALDC12	1	Feed Back Module
6	Base Cover	ALDC12	1	
7	Feed Back Lever	STS304	1	
8	Connector	AL, NBR	1	

Specifications (Feedback Module)

Input Type	2 Wire
Output	4 ~ 20mA DC
Noise Range	50mVp.p
Protection	IP 67
Input Signal	0 ~ 30°
Stroke	10~150mm
Lever Type	<input type="checkbox"/> 10~40mm <input type="checkbox"/> 20~70mm <input type="checkbox"/> 50~100mm <input type="checkbox"/> 100~150mm
Weight	Aluminum Diecasting
Material	0.6 kg(1.3 lb)

Specifications (Positioner)

Acting Type	Single
Input Signal	4 ~ 20mA DC
Impedance	Max 460 Ohm/20mA DC
Supply Pressure	0.14 ~ 0.7MPa (1.4 ~ 7bar)
Stroke	10~150mm
Air Connection	Supply: PT(NPT) 1/4 Out 1: PT(NPT) 1/8 Out 2: PT(NPT) 1/8
Gauge Connection	Out 1: PT(NPT) 1/8 Out 2: PT(NPT) 1/8
Conduit	PF1/2 (G1/2)
Repeatability	±0.3% F.S.
Hysteresis	±0.5% F.S.
Sensitivity	±0.2% F.S.
Linearity	±0.5% F.S.
Air consumption	Below 0.01LPM (sup0.14MPa, 1.4bar)
Flow Capacity	60LPM (sup0.14MPa, 1.4bar)
Main Board MPU	16 bit Micro Controller
A/D Converter	12 bit
D/A Converter	12 bit
LCD Operation Temp.	-20 ~ 70°C (-4 ~ 158°F)
Output Characteristics	<input type="checkbox"/> Linear <input type="checkbox"/> EQ% <input type="checkbox"/> User defined <input type="checkbox"/> Quick Open
Material	Aluminum Diecasting
Protection	IP66
Weight	1.6kg (3.5 lb)

SURFACE TEXTURE	PRODUCT NAME	YOUNG TECH CO., LTD. <small>SEOUL, KOREA</small>	
FINISH TREATMENT	SMART POSITIONER (REMOTE)		
MATERIAL	MODEL	TITLE	
OTHERWISE-NOTE	PROJECTION	3rd	REMOTE SMART LINEAR POSITIONER ASS'Y DWG
GENERAL TOLERANCE	SCALE	1 / 3	DRAWING NO. YT-2501L (SINGLE)
	QUANTITY	1	STANDARD
	SHEET No.	1 / 1	REV. 0

