


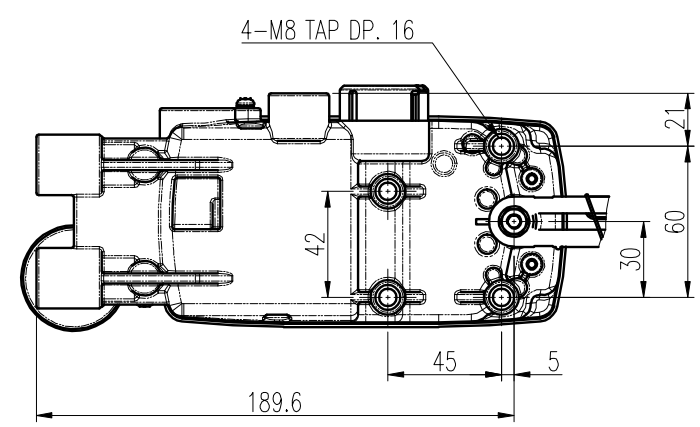
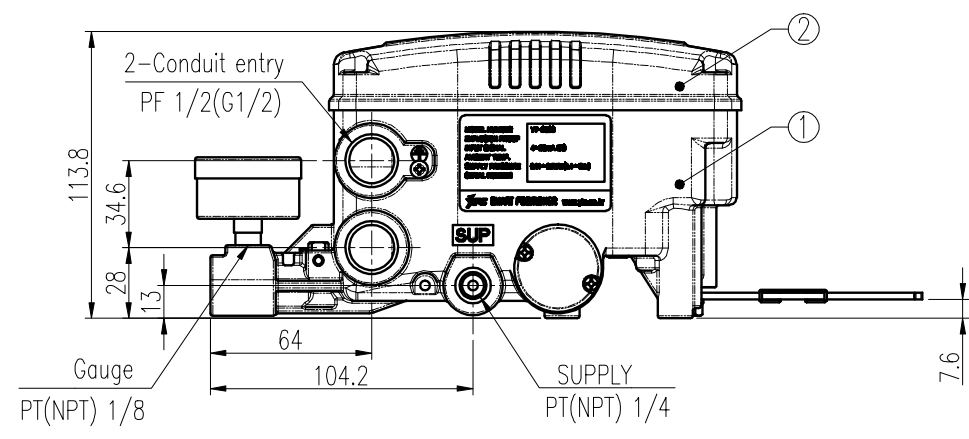
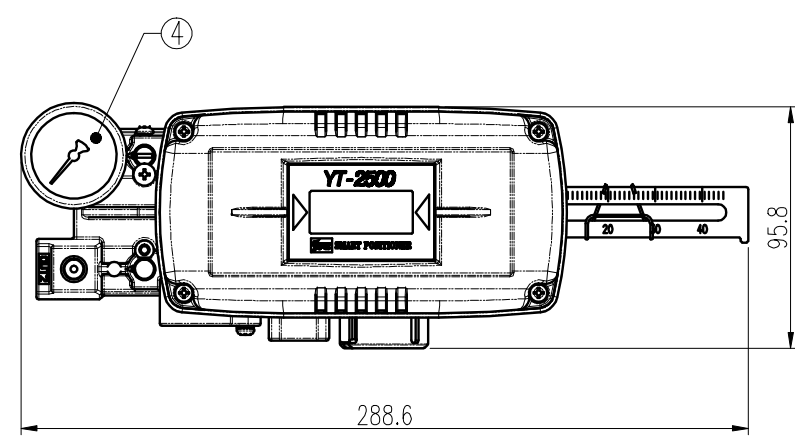
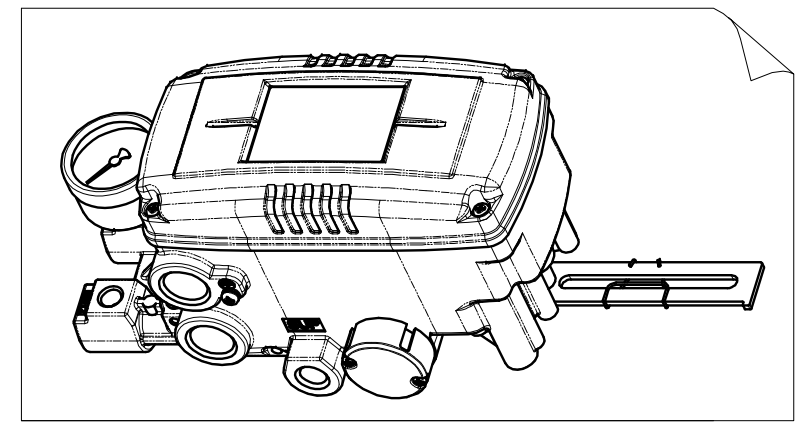
REV.NO.	REVISION DESCRIPTION	DRAWN / DATE	REVIEWED / DATE	APPROVED / DATE
△	ISSUE FOR APPROVAL	DKMIN/080229	CSJUNG/080229	YHLEE/080229
△	DRAWING ARRANGEMENT	DKMIN/100305		

SPECIFICATIONS

Acting Type	<input type="checkbox"/> Single	<input type="checkbox"/> Double
Input Signal	4 ~ 20mA DC	
Impedance	Max 460 Ohm/20mA DC	
Supply Pressure	0.14 ~ 0.7MPa (1.4 ~ 7bar)	
Explosion Proof	<input type="checkbox"/> Non-Explosion	<input type="checkbox"/> Ex ia IIC T5 <input type="checkbox"/> Ex ia IIC T6
Stroke	10 ~ 150mm	
Repeatability	±0.3% F.S.	
Operating Temp.	-30 ~ 85°C (-22 ~ 185°F)	
Explosion Ambient Temp.	-40 ~ 60°C(T5) / -40 ~ 40°C(T6)	
Hysteresis	±0.5% F.S.	
Sensitivity	±0.2% F.S.	
Linearity	±0.5% F.S.	
Air Connection	(N)PT 1/4	
Gauge Connection	(N)PT 1/8	
Conduit	PF 1/2 (G 1/2)	
Air consumption	Below 0.01LPM (sup=0.14MPa)	
Flow Capacity	60LPM (sup=0.14MPa)	
Protection	IP66	
Main Board	MPU	16 bit Micro Controller
	A/D Converter	12 bit
	D/A Converter	12 bit
LCD	Operation Temp.	-20 ~ 70°C (-4 ~ 158°F)
Output Characteristics	<input type="checkbox"/> Linear	<input type="checkbox"/> EQ%
	<input type="checkbox"/> User defined	<input type="checkbox"/> Quick Open
Material	Aluminum Diecasting	
Weight	1.5kg (3.3 lb)	
Lever Type	<input type="checkbox"/> 10~ 40mm	<input type="checkbox"/> 20~70mm
	<input type="checkbox"/> 50~100mm	<input type="checkbox"/> 100~150mm

4	PRESSURE GAUGE	STS304	1	
3	SHAFT MAIN	STS303	1	
2	COVER BASE	ALDC12	1	
1	BODY BASE	ALDC12	1	
NO.	PART NAME	MATERIAL	Q'TY	REMARK

SURFACE TEXTURE	PRODUCT NAME	SMART POSITIONER		 YOUNG TECH CO., LTD. SEOUL, KOREA
FINISH TREATMENT	MODEL	YT-2500L (SINGLE)		
MATERIAL	PROJECTION	3rd	SCALE	TITLE
OTHERWISE NOTE	GENERAL TOLERANCE	QUANTITY	SHEET No.	SMART LINEAR POSITIONER ASS'Y DWG
		1	1 / 1	DRAWING NO. YT-2500 (SINGLE) STANDARD REV. 1



LEVER TYPE : 1, 2, 3

Type 4

Lever Type	Stroke(mm)	L1(mm)	L2(mm)	W(mm)
1	10~40	93.0	67.0	20.0
2	20~70	153.5	106.5	
3	50~100	214.0	117.0	
4	100~150	307.3		

