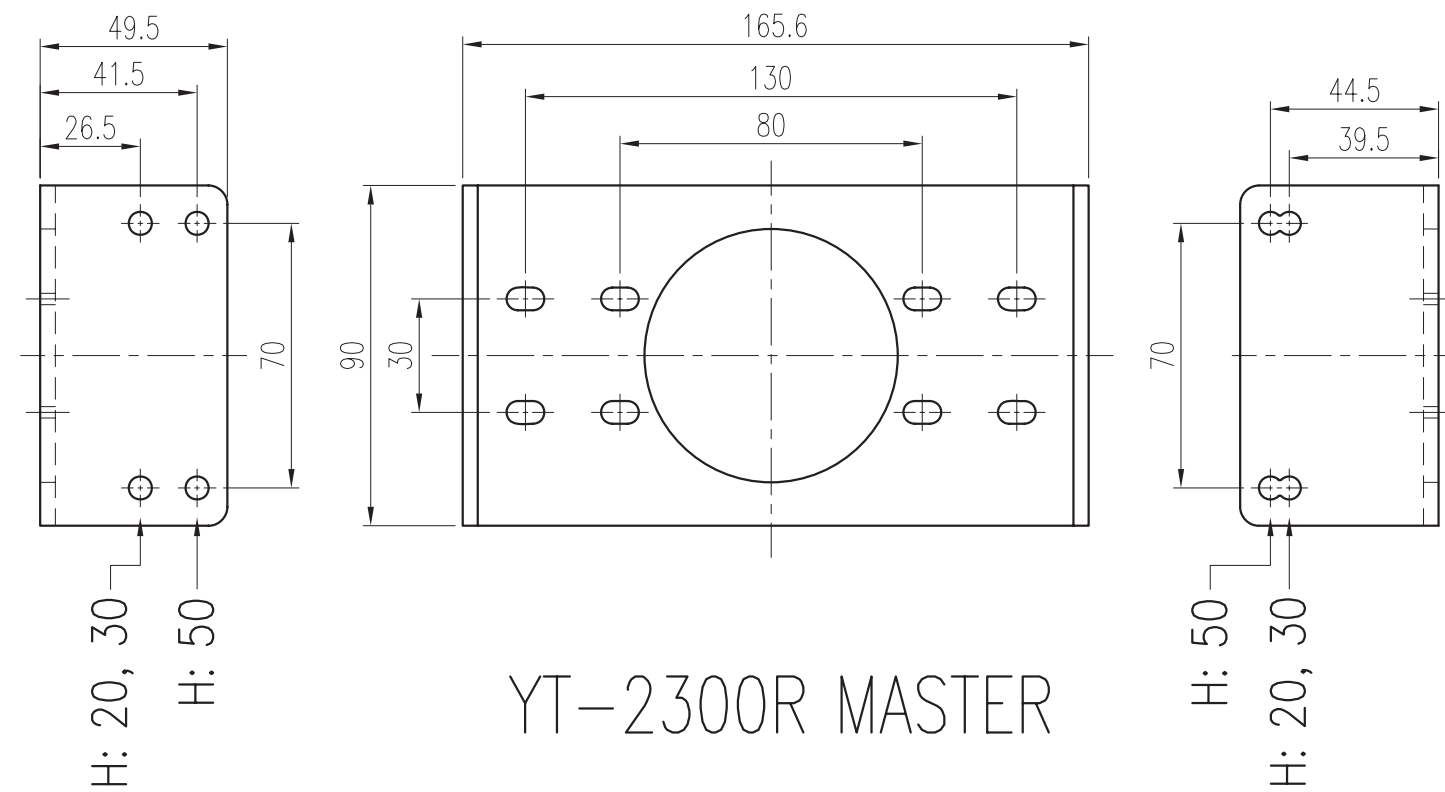
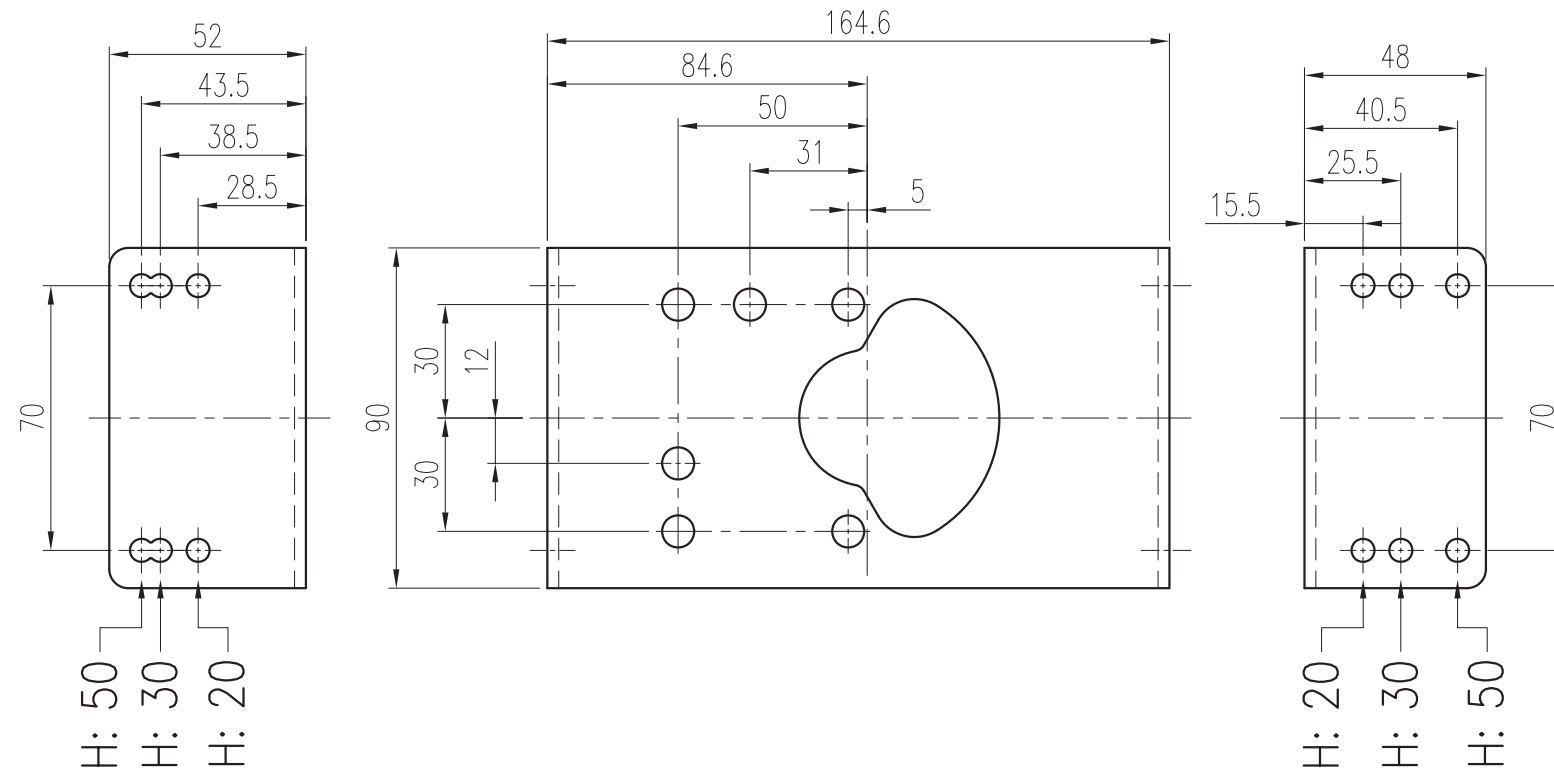
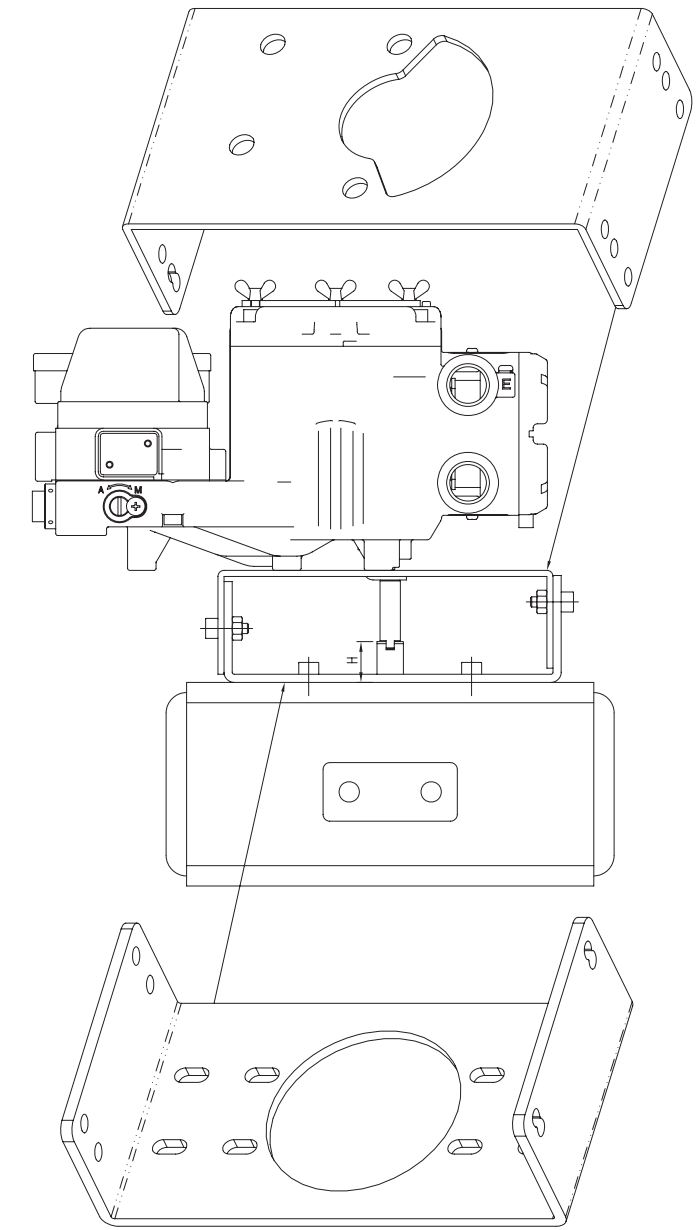


REV.NO.	REVISION DESCRIPTION	DRAWN / DATE	REVIEWED / DATE	APPROVED / DATE
△	ISSUED FOR APPROVAL	HSS/050607		
△	REVISION	KCH/111018		



YT-2300R MASTER



Example



SURFACE TEXTURE		PRODUCT NAME BRACKET SERIES		PROJECT NAME -	
FINISH TREATMENT		MODEL YT-2400R		YOUNG TECH CO., LTD. SEOUL, KOREA	
MATERIAL		PROJECTION 3rd	SCALE 1 / 2	TITLE YT-2400R BRACKET SERIES	
OTHERWISE NOTE		GENERAL TOLERANCE	QUANTITY 1	DRAWING NO. -	REV. 1