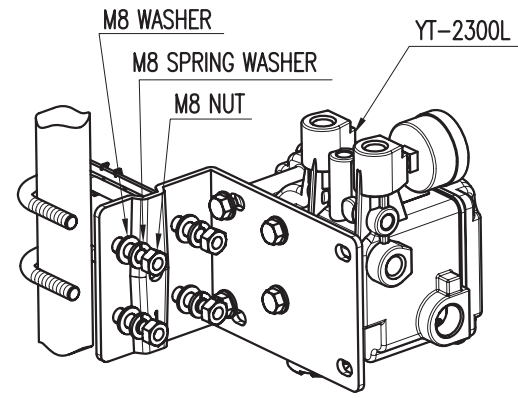
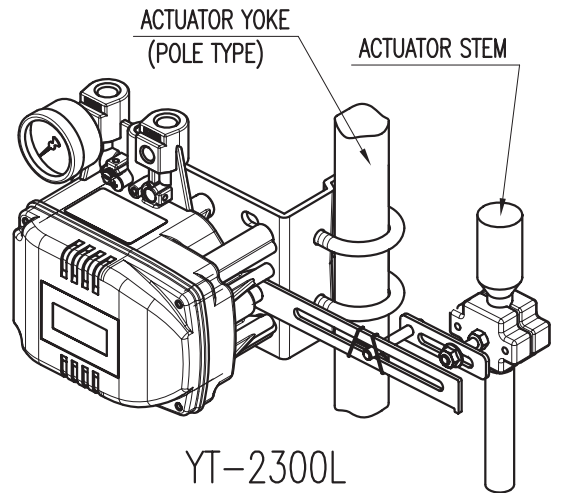
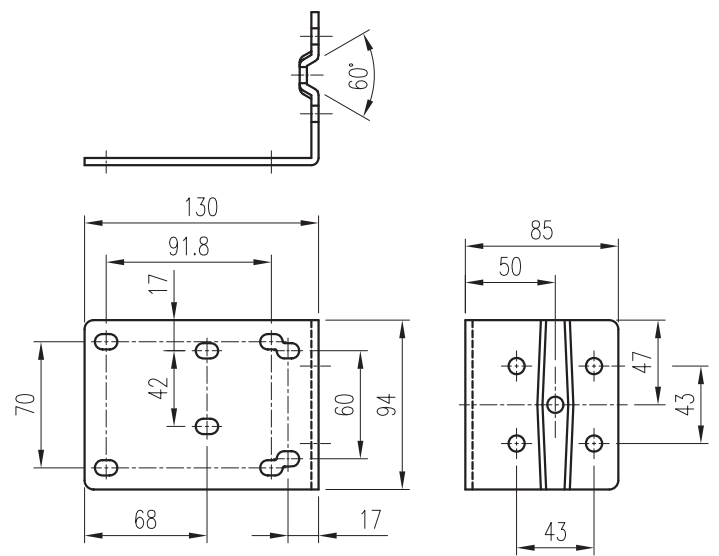


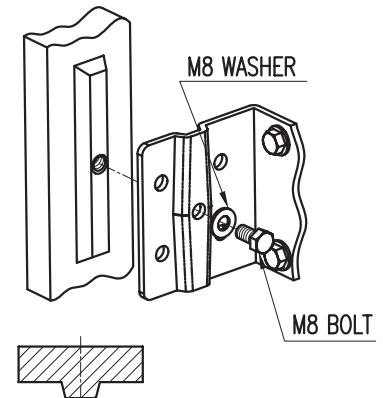
REV.NO.	REVISION DESCRIPTION	DRAWN / DATE	REVIEWED / DATE	APPROVED / DATE
△	ISSUE FOR APPROVAL	HSS/070721		
△				



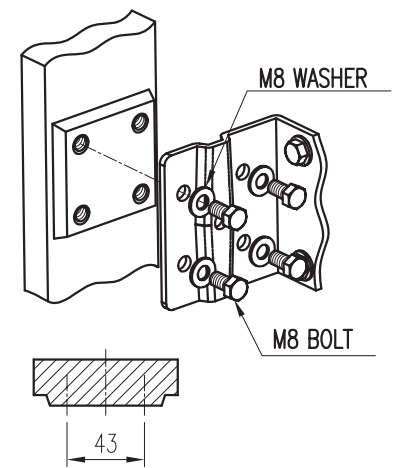
POLE TYPE ACTUATOR YOKE



LINEAR NAMUR BRACKET  
(YT-2300L)



RIB TYPE ACTUATOR YOKE



PLANE TYPE ACTUATOR YOKE



SURFACE TEXTURE		PRODUCT NAME <b>SMART POSITIONER</b>		PROJECT NAME -	
FINISH TREATMENT		MODEL <b>YT-2300L</b>		YOUNG TECH CO., LTD. SEOUL, KOREA	
MATERIAL		PROJECTION <b>3rd</b>	SCALE <b>1/1.5</b>	TITLE <b>YT-2300L NAMUR BRACKET ASSY</b>	
OTHERWISE NOTE	GENERAL TOLERANCE	QUANTITY <b>1</b>	SHEET No. <b>1</b>	DRAWING NO. <b>YT-2300L NAMUR BRACKET</b>	REV. <b>0</b>