

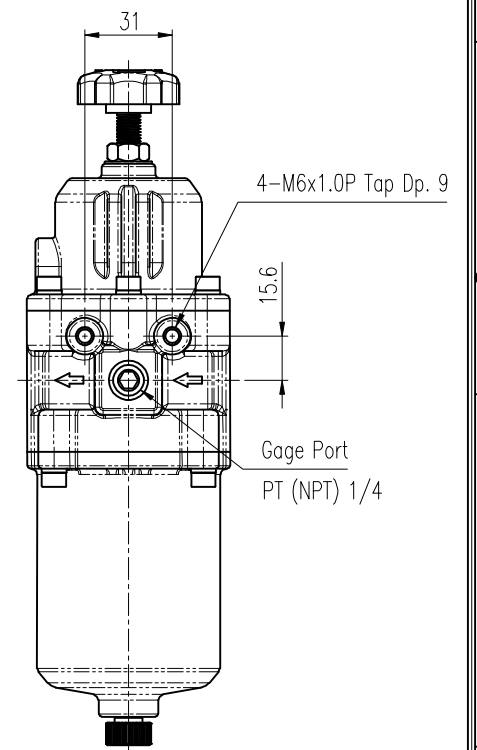
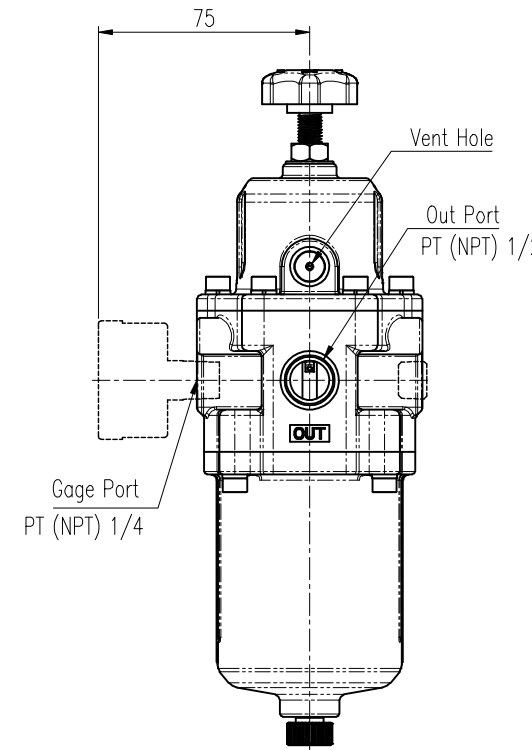
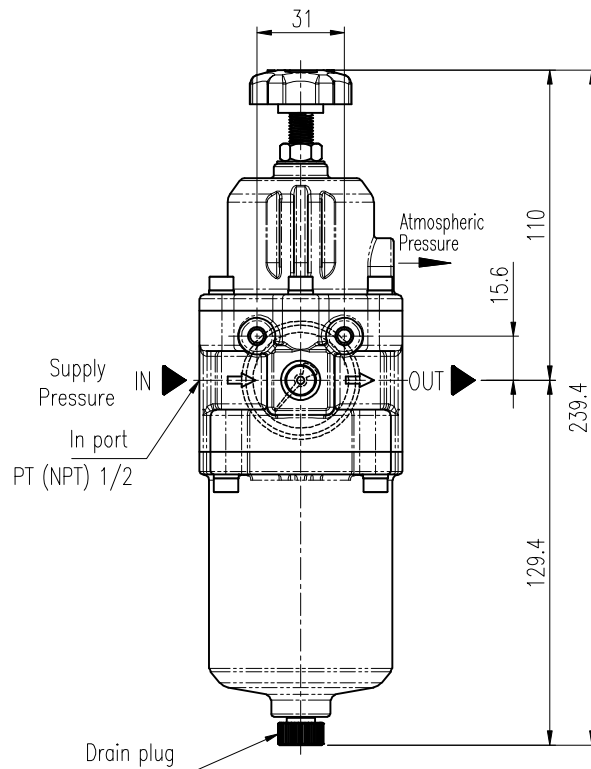
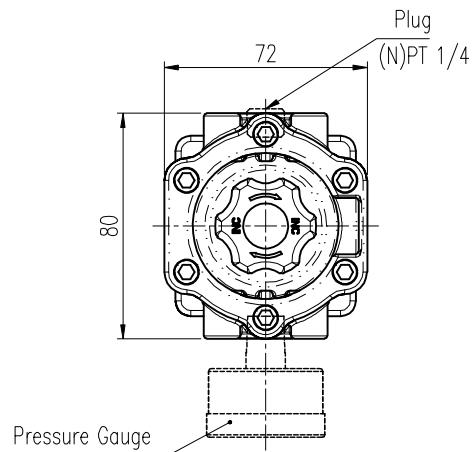
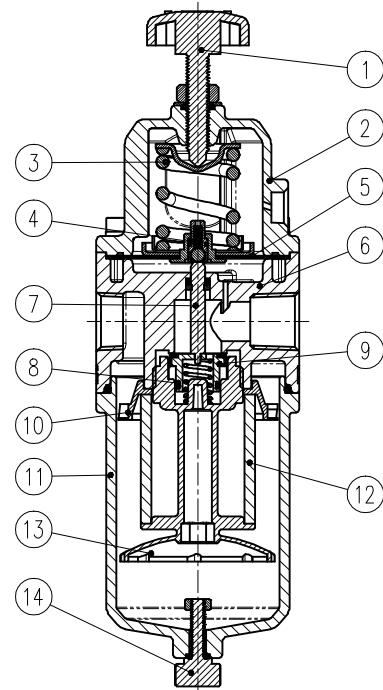
REV.NO.	REVISION DESCRIPTION	DRAWN / DATE	REVIEWED / DATE	APPROVED / DATE
△	ISSUE FOR APPROVAL	DKMIN/120514	JCS/120514	LYH/120514
△				

Specification

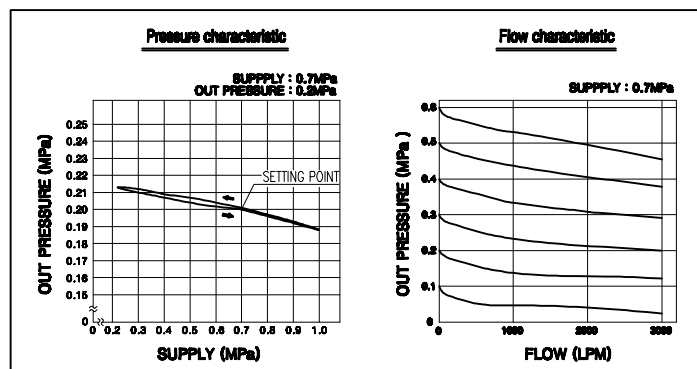
Applicable Fluid	Air	
Applicable Inlet Pressure	Max. 1.5 MPa	
Adjustment Output Pressure Range	<input type="checkbox"/>	0.05 ~ 0.42 MPa (4.2 bar)
	<input type="checkbox"/>	0.05 ~ 0.84 MPa (8.4 bar)
Applicable Temperature	Standard	<input type="checkbox"/> -20 ~ 70 °C (-4~158°F)
	High	<input type="checkbox"/> -20 ~ 120 °C (-4~248°F)
	Low	<input type="checkbox"/> -40 ~ 70 °C (-40~158°F)
Min. Filtering Size	5 micron	
Air Connection	<input type="checkbox"/> PT 1/2	<input type="checkbox"/> NPT 1/2
Gauge Connection	<input type="checkbox"/> PT 1/4	<input type="checkbox"/> NPT 1/4
Material	STS 316	
Weight	2.1kg (4.6lb)	

Part List

NO.	PART NAME	MATERIAL	REMARK
1	ADJUST BOLT	STS 304 + PC	
2	CASE SPRING	STS316	
3	SPRING ADJUST	STS316	
4	SEAT RELIEF	ACETAL	
5	DIAPHRAGM ASS'Y	NBR , STS 304, ACETAL	일반용
6	BODY BASE	SILICONE , STS 304, ACETAL	내한, 내열용
7	STEM	STS316	
8	O-RING	NBR	일반용
		SILICONE	내한, 내열용
9	SEAT	STS303 + NBR	일반용
		STS303 + SILICONE	내한, 내열용
10	DEFLECTOR	ACETAL	
11	CASE FILTER	STS316	
12	FILTER ELEMENT	POLY ETHYLENE	일반, 내한용
		BRONZE	내열용
13	BAFFLE	ACETAL	
14	PLUG DRAIN	STS316	



Characteristic



PROJECT NAME -



SURFACE TEXTURE	PRODUCT NAME AIR FILTER REGULATOR	YTC YOUNG TECH CO., LTD. <small>SEOUL, KOREA</small>	
FINISH TREATMENT	MODEL YT-225	TITLE AIR FILTER REGULATOR ASS'Y DWG	
MATERIAL	PROJECTION 3rd	SCALE 1 / 2.5	DRAWING NO. YT-225 (STANDARD)
OTHERWISE NOTE	GENERAL TOLERANCE	QUANTITY 1	SHEET No. 1/1
			REV. 0