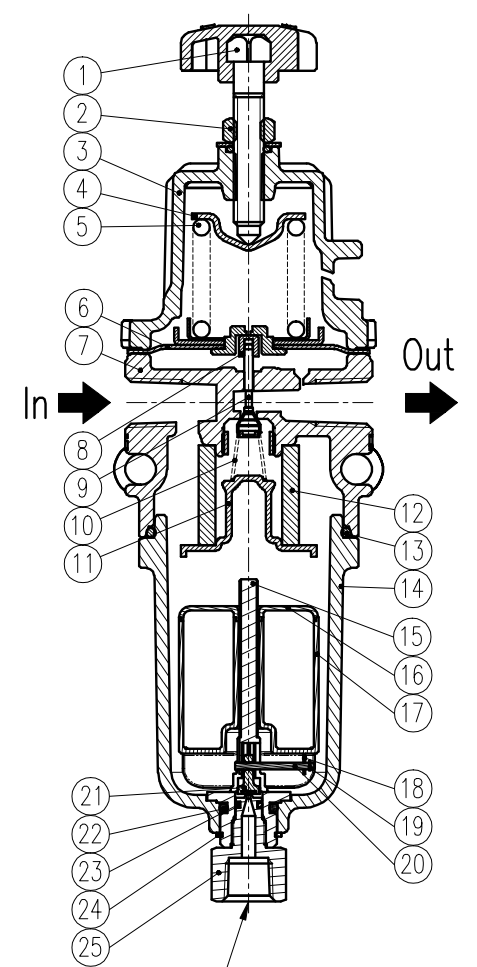
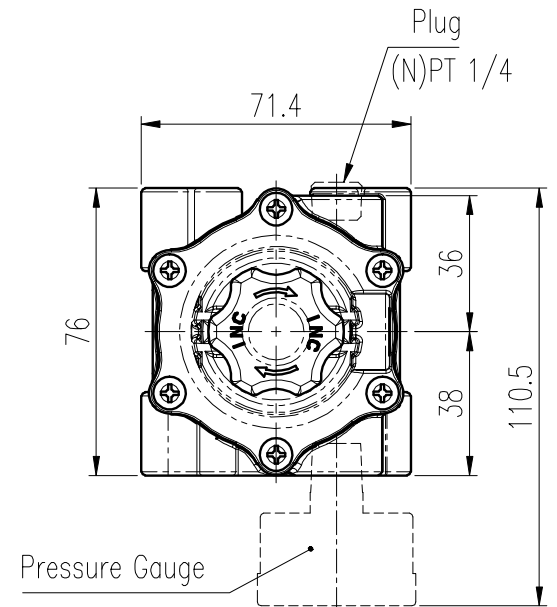


REV. NO.	REVISION DESCRIPTION	DRAWN / DATE	REVIEWED / DATE	APPROVED / DATE
△	First Issued	정찬성/120228		이용희/120228
△				

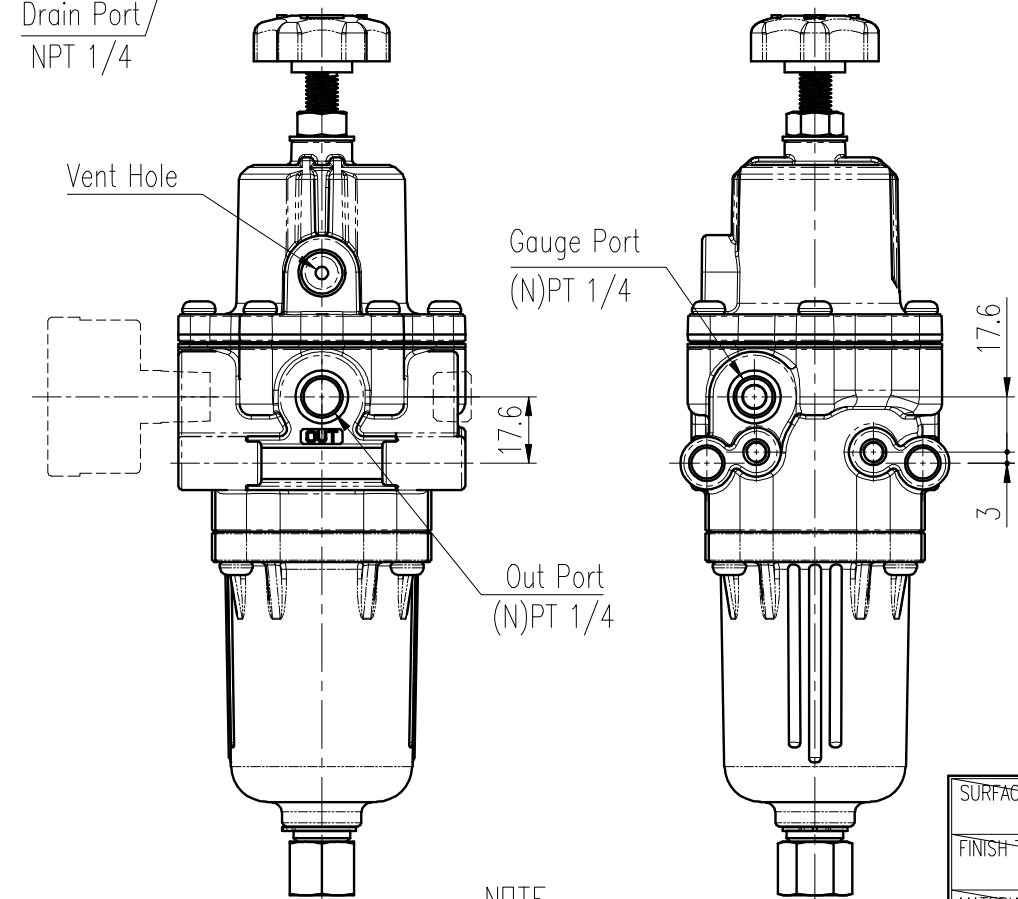
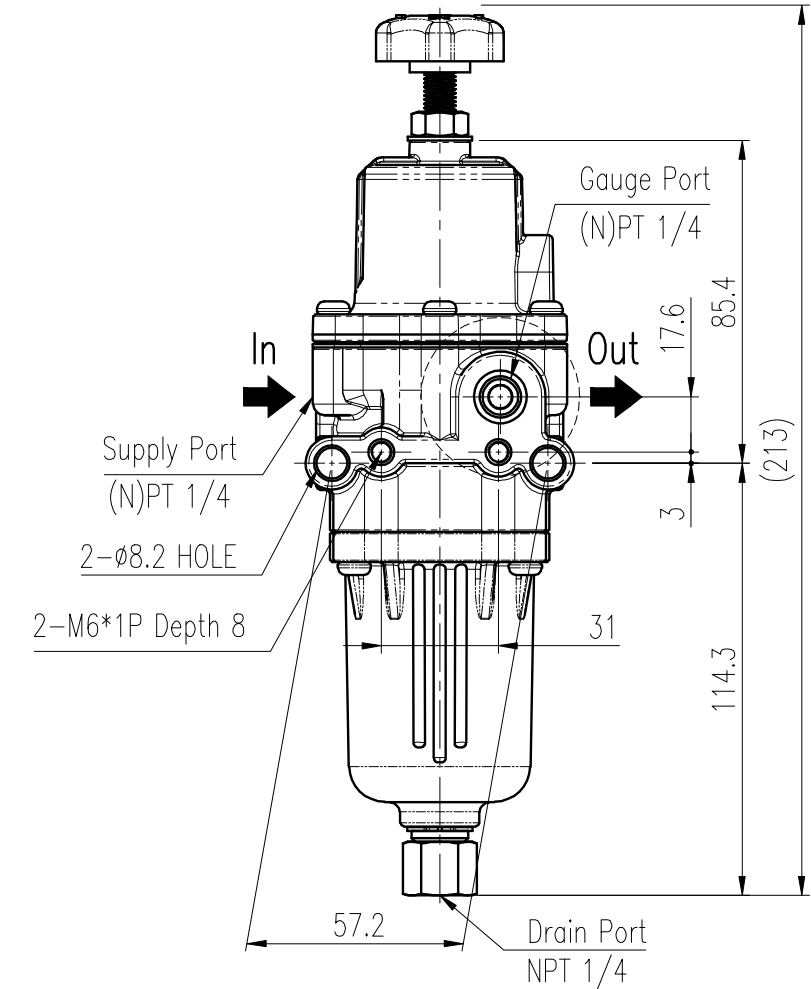


Specification

Item	Description
Max. Supply Pressure	1.5 MPa (15bar)
Max. Outlet Pressure	□ 0 ~ 0.42 MPa (4.2bar) □ 0 ~ 0.84 MPa (8.4bar)
Air Connection	(N)PT 1/4
Gauge Connection	(N)PT 1/4
Ambient Temperature	□ -20 ~ 70 °C (-4~158°F) □ -20 ~ 120 °C (-4~248°F) □ -40 ~ 70 °C (-40~158°F)
Min. Filtering Size	5 Micron
Material	Aluminum Diecasting
Weight	0.6Kg (1.7 lb)

Part List

NO.	PART(DWG.) NO.	PART NAME	MATERIAL	Q'TY	REMARK
1	0200F FF 01 M2	BOLT ADJUST	STS304+PC	1	
2	M190-0071	NUT(M8*1P)	STS304	1	
3	0200F FF 02 L1	CASE SPRING	ALDC12+전착	1	
4	0200F FF 03 P1	SEAT SPRING UPPER	STS304	1	
5	0200F FF 04 M1 0200F FF 04 M2 0200F FF 04 M3	SPRING ADJUST	HSW3	1	0.2MPa 0.4MPa 0.8MPa
6	0200F FF 07 M1 0200F FF 07 M2	DIAPHRAGM	NBR+포직 SILICONE+포직	1	일반용 내한, 내열용
7	0200F FF 11 L1 0200F FF 11 L2 0200F FF 11 L3	BODY BASE	ALDC12	1	PT NPT G
8	0200F FF 19 M1 0200F FF 19 M2	SEAT	NBR SILICONE	1	일반용 내한, 내열용
9	0200F FF 12 M1 0200F FF 12 M2	STEM	C3604BD+NBR C3604BD+SILICONE	1	일반용 내한, 내열용
10	0200F FF 13 M1	SPRING CORN STEM	STS304	1	
11	0200F FF 23 M1	SUPPORT FILTER	ACETAL	1	
12	0200F FF 10 M1 0200F FF 10 M2	FILTER AIR	PE BRONZE	1	일반, 내한용 내열용
13	M170-0089 M170-0090	O-RING(AN135)	NBR SILICONE	1	일반용 내한, 내열용
14	0200F FF 24 L1	CASE FILTER-AUTO DRAIN	ALDC12	1	
15	0200F FF 29 M1	GUIDE FLOAT-AUTO DRAIN	ACETAL	1	
16	0200F FF 27 M1	CAP FLOAT-AUTO DRAIN	ACETAL	1	
17	0200F FF 26 M1	FLOAT-AUTO DRAIN	ACETAL	1	
18	0200F FF 28 P1	INSERT FLOAT-AUTO DRAIN	STS304	1	
19	M190-0090	E-RING(#1.2)	STS304	1	
20	0200F FF 31 L1	LEVER FLOAT-AUTO DRAIN	STS303	1	
21	0200F FF 30 M3 0200F FF 30 M2	SEAT 코팅	PC+SILICONE PC+NBR	1	내한, 내열용 일반용
22	M180-0377 M180-0376	O-RING(P11)	SILICONE NBR	1	내한, 내열용 일반용
23	M180-0379 M180-0378	O-RING(S5)	SILICONE NBR	1	내한, 내열용 일반용
24	M190-0091	C-RING(#15)	STS304	1	
25	0200F FF 32 L1	PLUG DRAIN-AUTO DRAIN	C3604+N도금	1	
26	M180-0271	BOLT(M5*16, RH)	STS304	10	



NOTE
1. Auto Drain 체유량 : 17cm³

SURFACE TEXTURE		PRODUCT NAME AIR FILTER REGULATOR		YOUNG TECH CO., LTD. SEOUL, KOREA	
FINISH TREATMENT		MODEL YT-200			
MATERIAL		PROJECTION	SCALE 1 / 2	TITLE Air Filter Regulator-Auto Drain DRAWING NO. YT-200(Auto Drain)	
OTHERWISE NOTE		GENERAL TOLERANCE	QUANTITY 1 / 1		