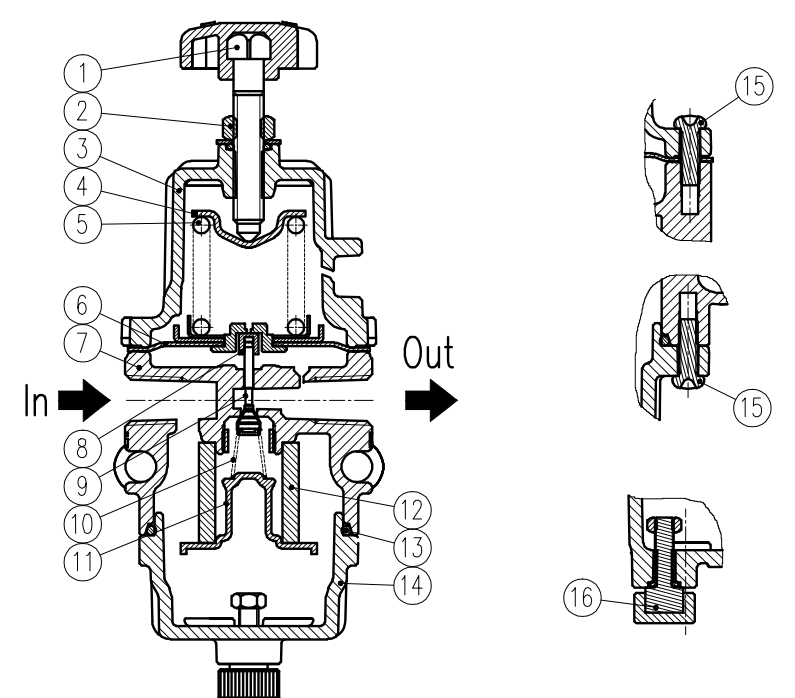
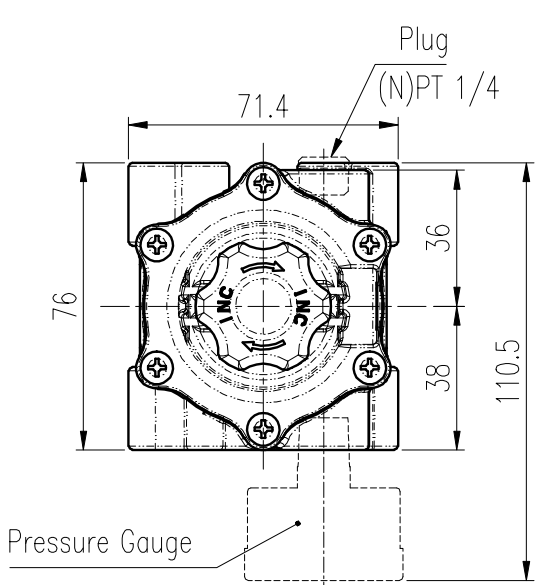


REV.NO.	REVISION DESCRIPTION	DRAWN / DATE	REVIEWED / DATE	APPROVED / DATE
△	First Issued	CHKIM/120117		
△				

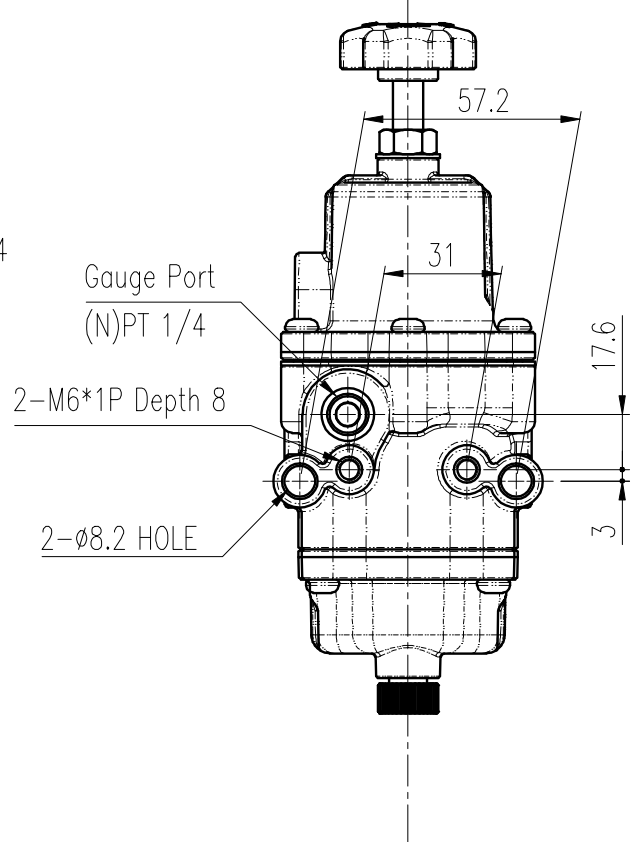
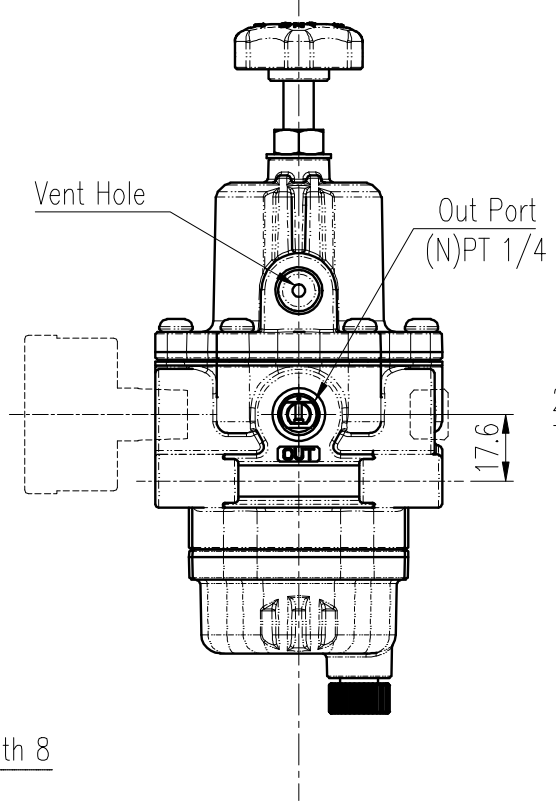
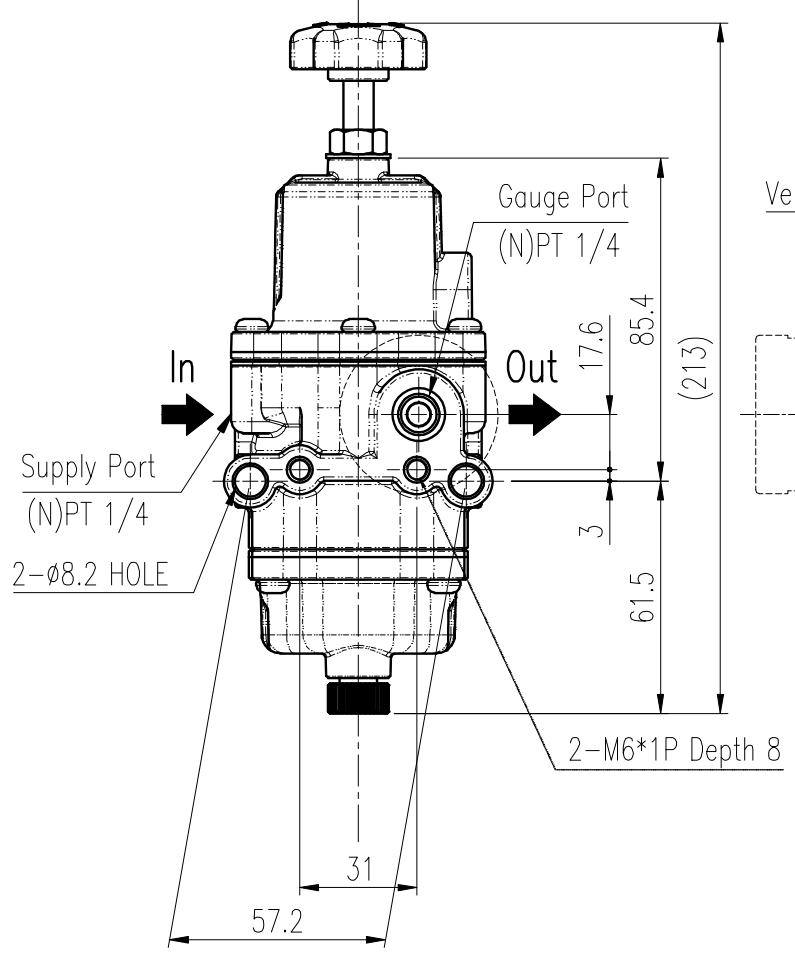


Specification

Item	Description
Max. Supply Pressure	1.5 MPa (15bar)
Max. Outlet Pressure	<input type="checkbox"/> 0 ~ 0.42 MPa (4.2bar) <input type="checkbox"/> 0 ~ 0.84 MPa (8.4bar)
Air Connection	(N)PT 1/4
Gauge Connection	(N)PT 1/4
Ambient Temperature	<input type="checkbox"/> -20 ~ 70 °C (-4~158°F) <input type="checkbox"/> -20 ~ 120 °C (-4~248°F) <input type="checkbox"/> -40 ~ 70 °C (-40~158°F)
Min. Filtering Size	5 Micron
Material	Aluminum Diecasting
Weight	0.6Kg (1.7 lb)

Part List

NO.	PART(DWG.) NO.	PART NAME	MATERIAL	Q'TY	REMARK
1	0200F FF 01 M2	BOLT ADJUST	STS304+PC	1	
2	M190-0071	NUT(M8*1P)	STS304	1	
3	0200F FF 02 L1	CASE SPRING	ALDC12+전착	1	
4	0200F FF 03 P1	SEAT SPRING UPPER	STS304	1	
5	0200F FF 04 M1	SPRING ADJUST	HSW3	1	0.2MPa
	0200F FF 04 M2				0.4MPa
	0200F FF 04 M3				0.8MPa
6	0200F FF 07 M1	DIAPHRAGM	NBR+포착	1	-20~70°C
	0200F FF 07 M2		SILICONE+포착		-40~120°C
7	0200F FF 11 L1	BODY BASE	ALDC12	1	PT
	0200F FF 11 L2				NPT
	0200F FF 11 L3				G
8	0200F FF 19 M1	SEAT	NBR	1	-20~70°C
	0200F FF 19 M2		SILICONE		-40~120°C
9	0200F FF 12 M1	STEM	C3604BD+NBR	1	-20~70°C
	0200F FF 12 M2		C3604BD+SILICONE		-40~120°C
10	0200F FF 13 M1	SPRING CORN STEM	STS304	1	
11	0200F FF 23 M1	SUPPORT FILTER	ACETAL	1	
12	0200F FF 10 M1	FILTER AIR	PE	1	-40~70°C
	0200F FF 10 M2		BRONZE		-20~120°C
13	M170-0089	O-RING(AN135)	NBR	1	-20~70°C
	M170-0090		SILICONE		-40~120°C
14	0200F FF 16 L1	CASE FILTER	ALDC12	1	
15	M180-0241	BOLT(M5*15,RH)	STS304	10	
16	0200F FF 17 M1	PLUG DRAIN	STS303+PC	1	



SURFACE TEXTURE		PRODUCT NAME <b>AIR FILTER REGULATOR</b>			
FINISH TREATMENT		MODEL <b>YT-200</b>			
MATERIAL		PROJECTION	SCALE <b>1 / 2</b>	TITLE <b>Air Filter Rugulator</b>	
OTHERWISE NOTE		GENERAL TOLERANCE	QUANTITY <b>1 / 1</b>	DRAWING NO. <b>YT-200(Standard)</b>	
				REV. <b>0</b>	