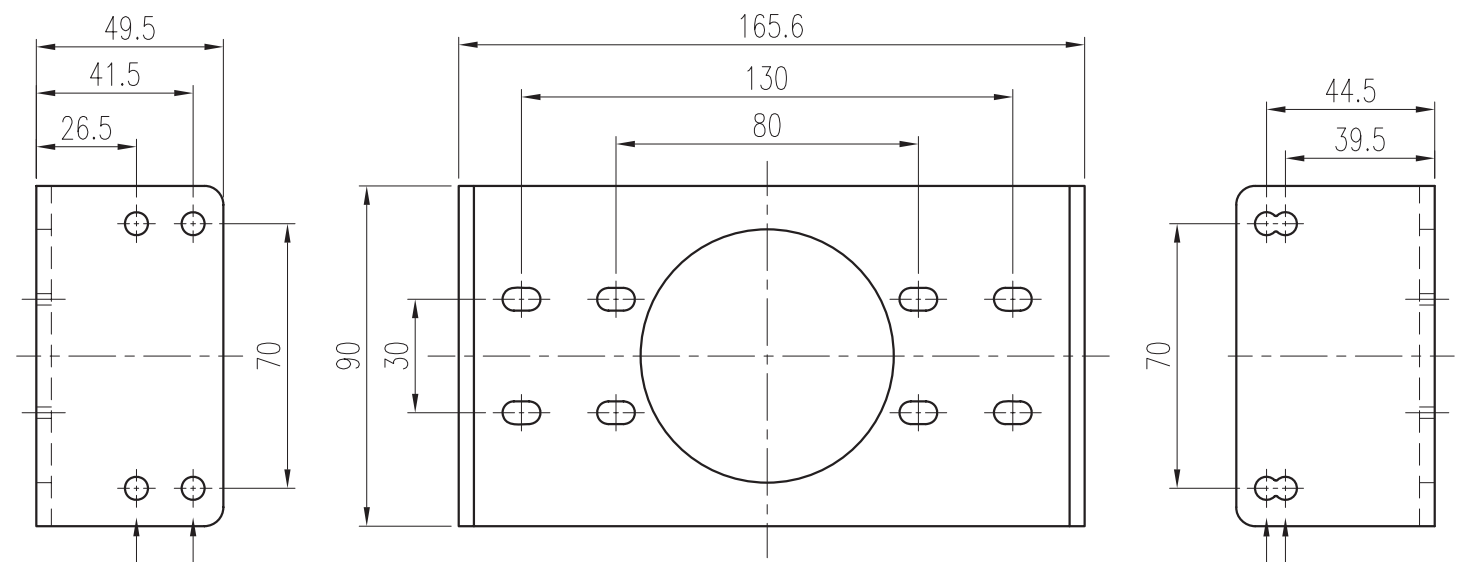
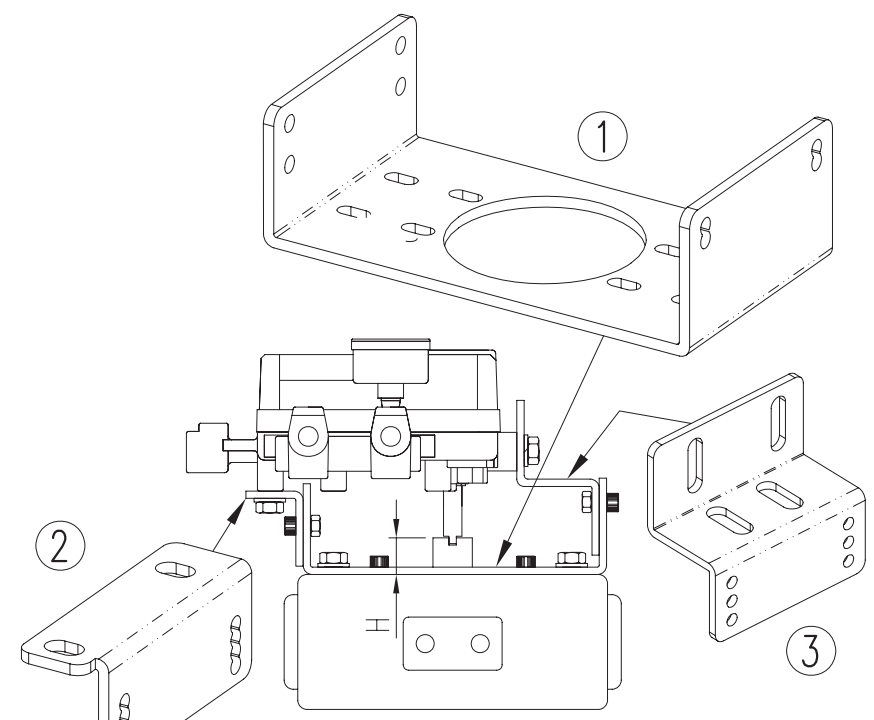


REV.NO.	REVISION DESCRIPTION	DRAWN / DATE	REVIEWED / DATE	APPROVED / DATE
△	ISSUED FOR APPROVAL	HSS/050607		
△	REVISION	KCH/111109		

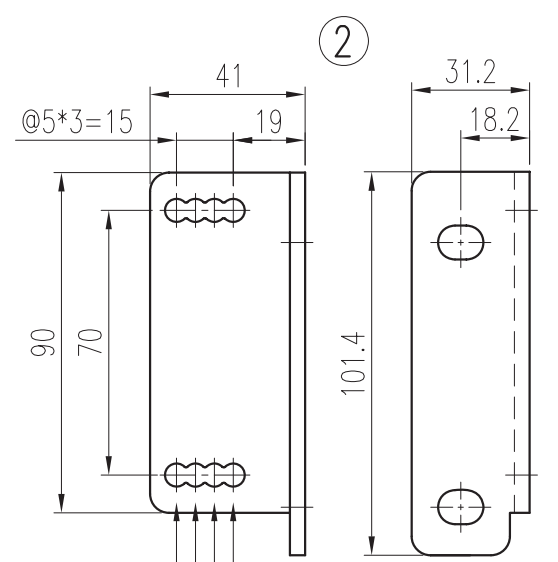


NAMUR	FORK
H: 50	20, 30
H: 20, 30	N/A

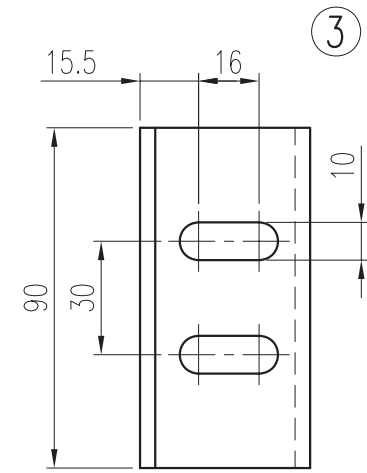
NAMUR	FORK
H: N/A	20, 30
H: 20, 30, 50	N/A



Example



NAMUR	FORK
H: 20	N/A
N/A	20
H: 30	N/A
H: 50	30



NAMUR	FORK
H: 20, 30	20
N/A	30
H: 50	N/A

SURFACE TEXTURE		PRODUCT NAME BRACKET SERIES		PROJECT NAME -	
FINISH TREATMENT		MODEL YT-1200R		YOUNG TECH CO., LTD. SEOUL, KOREA	
MATERIAL		PROJECTION 3rd	SCALE 1 / 2	TITLE YT-1200R BRACKET SERIES	
OTHERWISE NOTE		GENERAL TOLERANCE	QUANTITY 1	DRAWING NO. -	REV. 1

