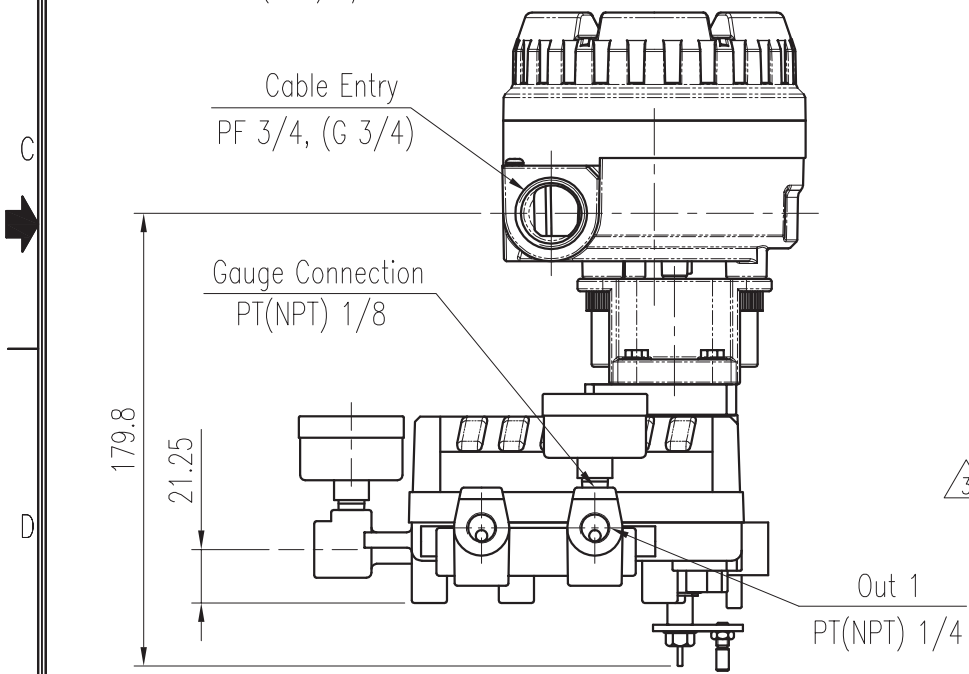
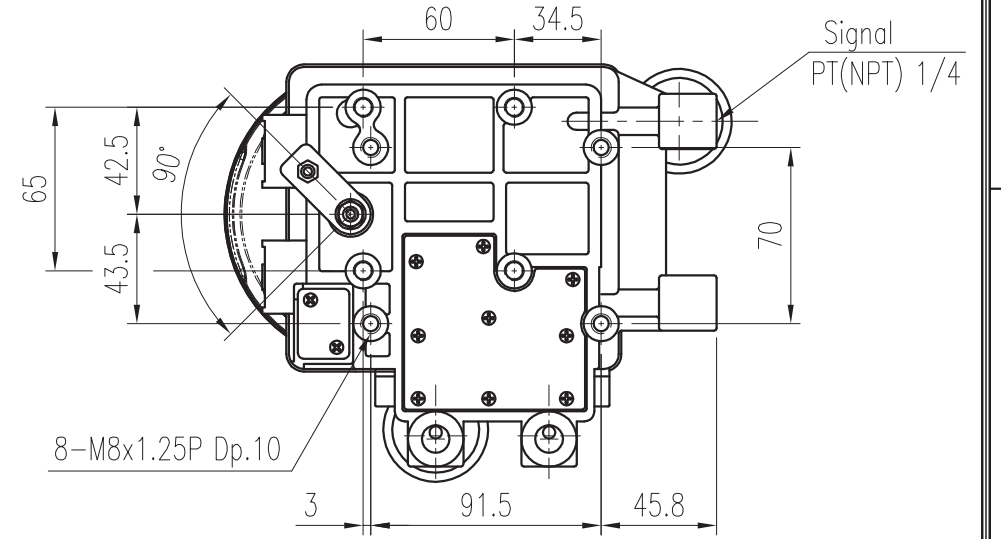
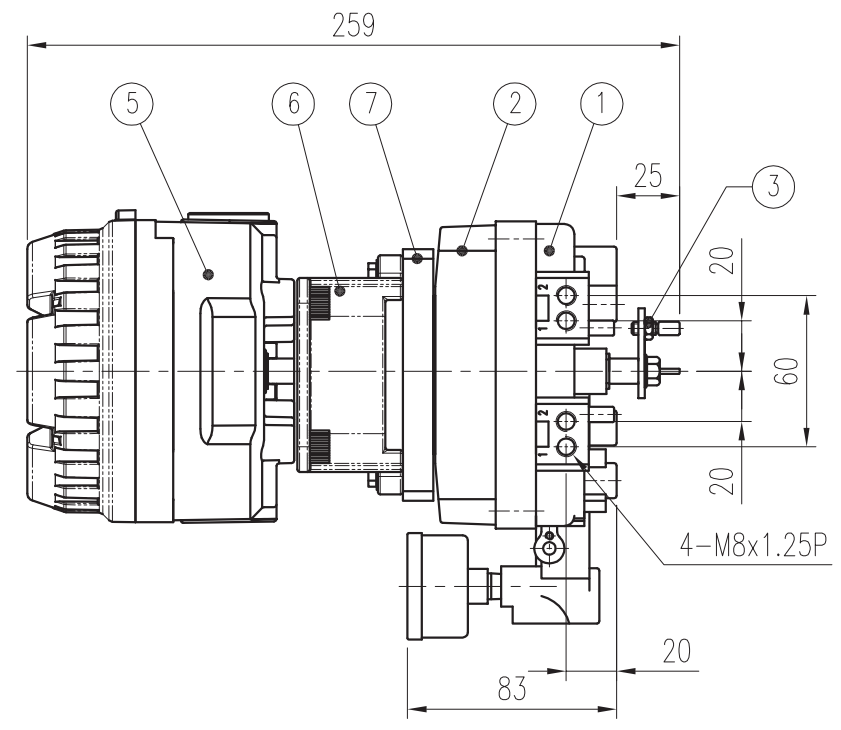
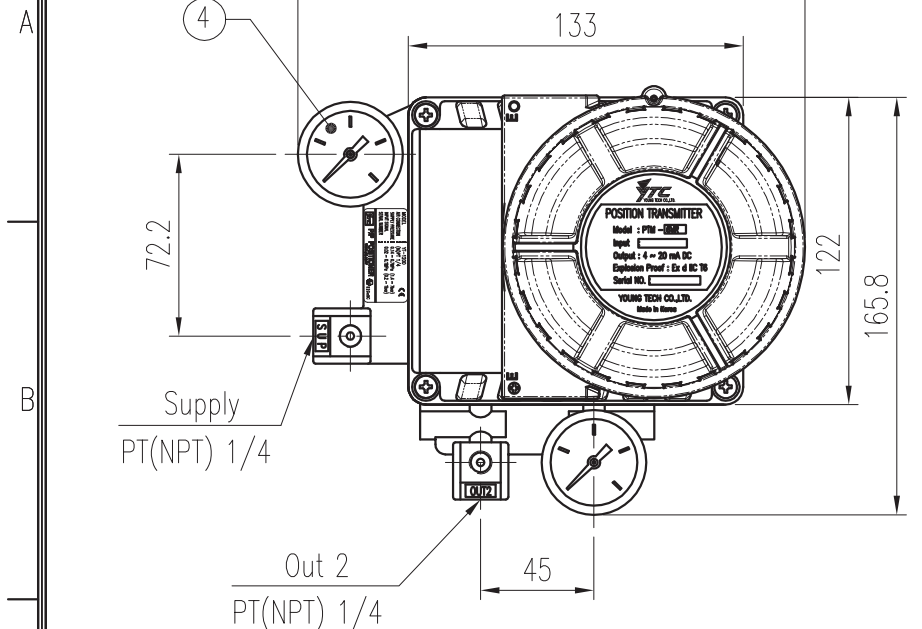


REV.NO.	REVISION DESCRIPTION	DRAWN / DATE	REVIEWED / DATE	APPROVED / DATE
△1	DRAWING ARRANGEMENT	HSS/080305	JCS/080305	LYH/080305
△2	DRAWING ARRANGEMENT	LJS/110425	JCS/110425	LYH/110425
△3	DRAWING ARRANGEMENT	KBJ/121112	JCS/121112	LYH/121112

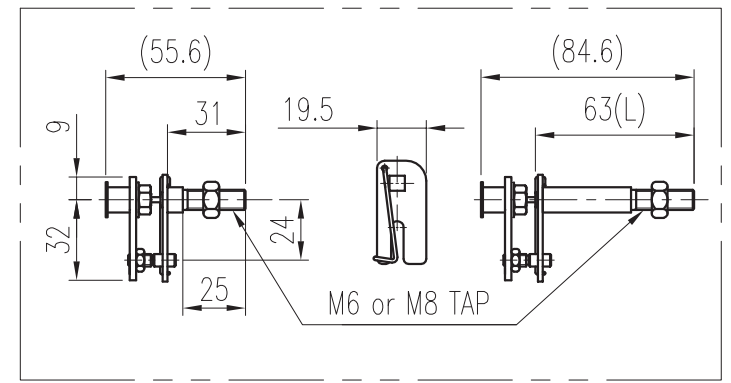
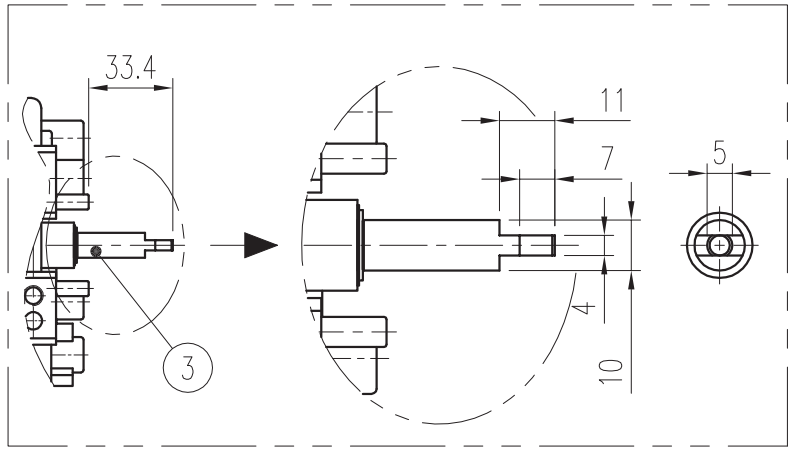


SPECIFICATIONS (ANALOGUE/SMART TRANSMITTER)

Input Type	2 Wire	Ambient Temp.	Operating	-30 ~ 85 °C (-22 ~ 185°F)
Output	4 ~ 20mA DC	Explosion	Explosion	-20 ~ 60 °C (-4 ~ 140°F)
Noise Range	50mV p.p	Linearity		±1% F.S.
Explosion Proof	ExdIICT6	Hysteresis		±0.2% F.S.
Protection	IP 66	Sensitivity		±0.2% F.S.
Input Signal	0 ~ 90°	Input Voltage	△3	9~28V DC
Load Resistance	Max. 880 Ohm / 28V DC	Weight		1.3kg (2.9lb)
Cable Entry	PF 3/4, (G 3/4)	Material		ALUMINUM DIECASTING

SPECIFICATIONS

Applicable Fluid	Air	Air Connection	PT(NPT) 1/4
Acting Type	<input type="checkbox"/> Single <input type="checkbox"/> Double	Gauge Connection	PT(NPT) 1/8
Input Signal	0.02~0.1MPa (0.2~1bar)	Pressure Signal	<input type="checkbox"/> 0.2MPa
Supply Pressure	0.14~0.7MPa (1.4~7bar)	Gauge Output	<input type="checkbox"/> 0.4MPa
Stroke	0 ~ 90°		<input type="checkbox"/> 0.8MPa
Protection	IP66	Air Consumption	< 3 LPM (Sup.=0.14MPa, 1.4bar)
Ambient Temp.	-20°C ~ 70°C (-4°F ~ 158°F)	Max. Flow Capacity	> 80 LPM (Sup.=0.14MPa, 1.4bar)
Linearity	±2.0% F.S.	Material	Aluminum Diecasting
Hysteresis	±1.0% F.S.	Weight	1.7kg (3.1lb)
Sensitivity	±0.5% F.S.	Lever Type	<input type="checkbox"/> M6 <input type="checkbox"/> L=34 <input type="checkbox"/> Namur
Repeatability	±0.5% F.S.		<input type="checkbox"/> M8 <input type="checkbox"/> L=63



NO.	PART NAME	MATERIAL	Q'TY	REMARK
7	BLOCK	ALDC12	1	
6	BRACKET	STS 303	1	
5	TRANSMITTER	ALDC12	1	SPTM-6VR
4	PRESSURE GAUGE	STS 304	2	
3	CONNECT LEVER ASS'Y	STS 304	1	FORK LEVER, NAMUR
2	COVER BASE	ALDC12	1	
1	BODY BASE	ALDC12	1	

SURFACE TEXTURE	PRODUCT NAME	YTC YOUNG TECH CO., LTD. SEOUL, KOREA	
FINISH TREATMENT	P/P POSITIONER	TITLE: PNEUMATIC-PNEUMATIC ROTARY POSITIONER ASS'Y DWG with SPTM	
MATERIAL	MODEL	PROJECTION	SCALE
OTHERWISE NOTE	YT-1200R + SPTM6VR	3rd	1 / 3
GENERAL TOLERANCE	QUANTITY	SHEET No.	DRAWING NO.
	1	1 / 1	YT-1200R + SPTM6VR
			REV. 3