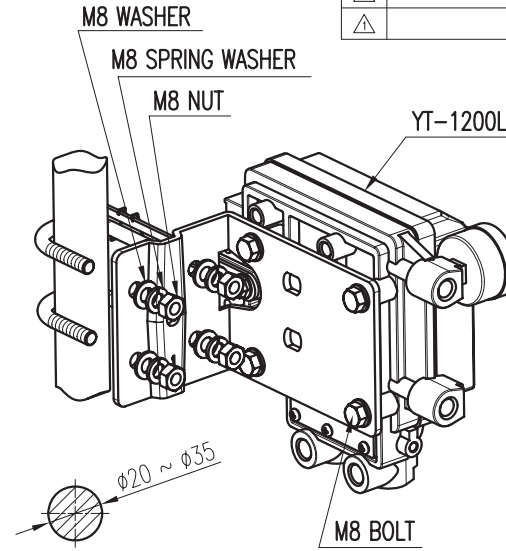
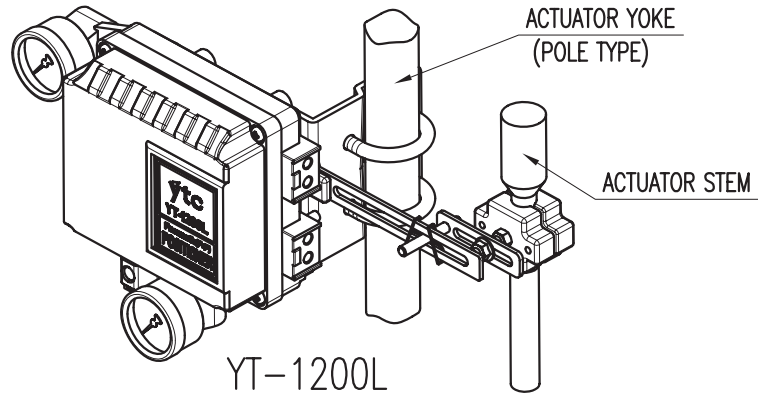
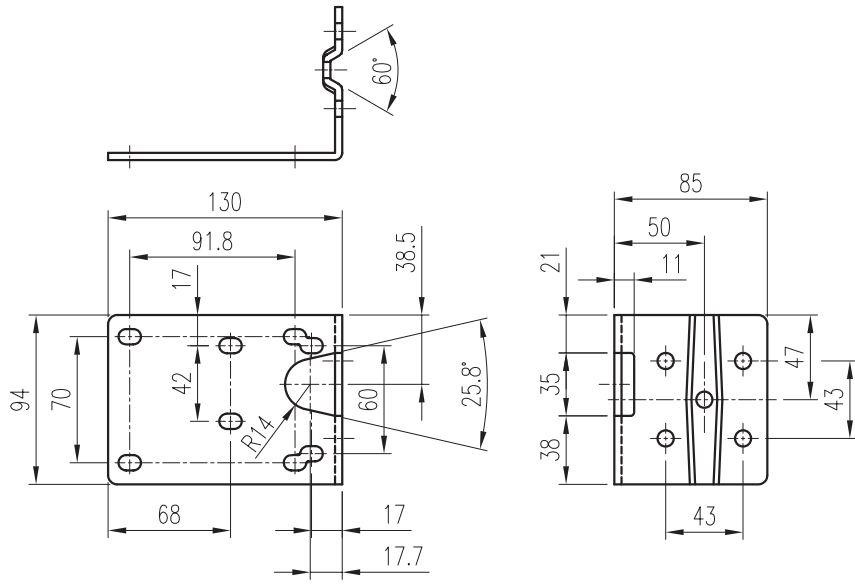


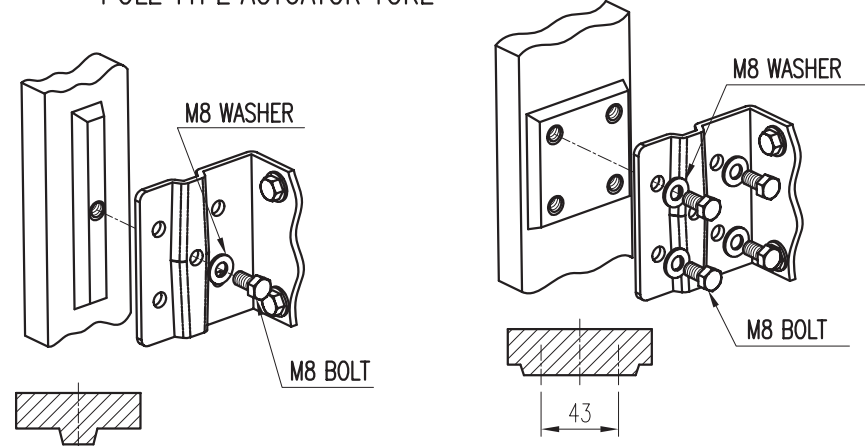
REV.NO.	REVISION DESCRIPTION	DRAWN / DATE	REVIEWED / DATE	APPROVED / DATE
△	ISSUE FOR APPROVAL	HSS/070721		
△				



POLE TYPE ACTUATOR YOKE



LINEAR NAMUR BRACKET  
(YT-1200L)



RIB TYPE ACTUATOR YOKE

PLANE TYPE ACTUATOR YOKE

SURFACE TEXTURE		PRODUCT NAME		PROJECT NAME	
		P/P POSITIONER		-	
FINISH TREATMENT		MODEL		YOUNG TECH CO., LTD. SEOUL, KOREA	
		YT-1200L		TITLE	
MATERIAL		PROJECTION		YT-1200L NAMUR BRACKET ASSY	
		3rd		DRAWING NO.	
OTHERWISE NOTE		SCALE		YT-1200L NAMUR BRACKET	
GENERAL TOLERANCE		1/1.5		REV.	
		QUANTITY		0	
		SHEET No.			
		1			