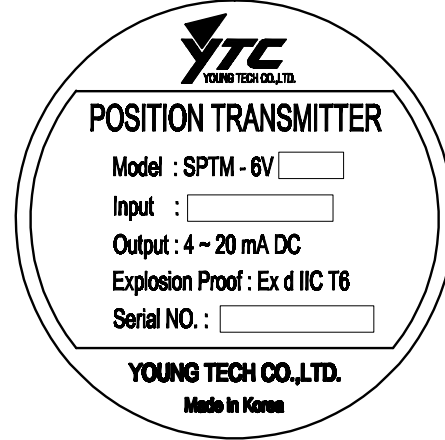
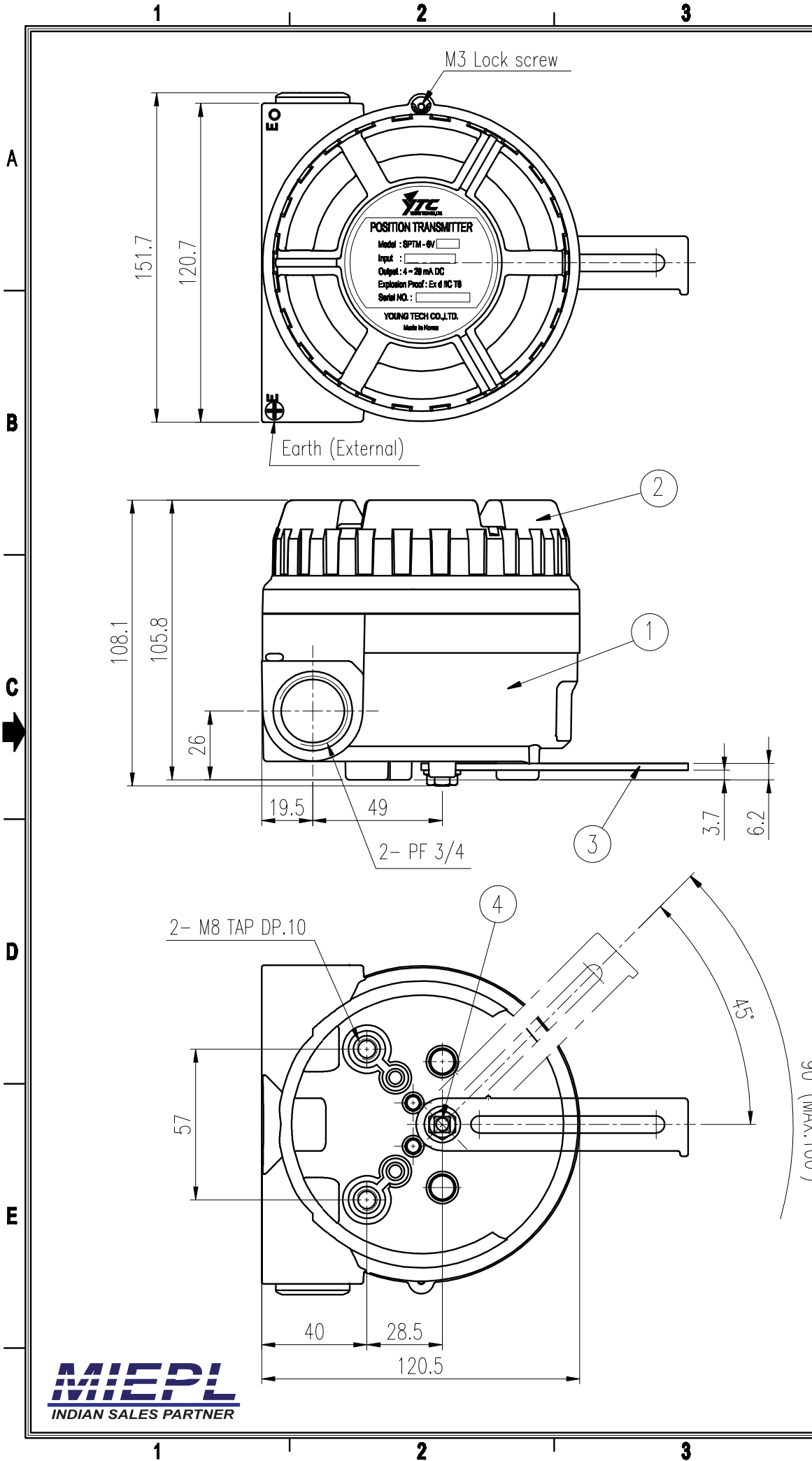
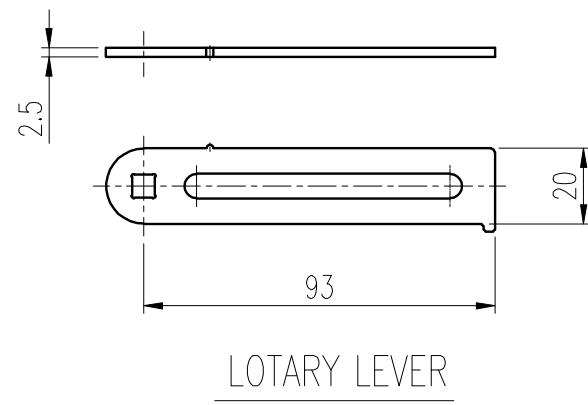


REV.NO.	REVISION DESCRIPTION	DRAWN / DATE	REVIEWED / DATE	APPROVED / DATE
△	ISSUE FOR APPROVAL	KDH/110726		
△				



SPECIFICATIONS

Input Type	2 Wire	
Output	4 ~ 20mA DC	
Noise Range	50mV p.p	
Explosion Proof	ExdIIC T6	
Protection	IP 66	
Input Signal	0 ~ 90°	
Load Resistance	Max. 600 Ohm / 28V DC	
Connection	PF 3/4, (G 3/4)	
Ambient Temp.	Operating	-30 ~ 85 °C (-22 ~ 185°F)
	Explosion	-20 ~ 60 °C (-4 ~ 140°F)
Linearity	±1% F.S.	
Hysteresis	±0.2% F.S.	
Sensitivity	±0.2% F.S.	
Input Voltage	15~30V DC	
Weight	1.2kg (2.7 lb)	
Material	ALUMINUM DIECASTING	



4	MAIN SHAFT	STS303	1	
3	FEEDBACK LEVER	STS304	1	
2	BASE COVER	ALDC12	1	
1	BASE BODY	ALDC12	1	
NO.	PART NAME	MATERIAL	Q'TY	REMARK



SURFACE TEXTURE	PRODUCT NAME	POSITION TRANSMITTER		YOUNG TECH CO., LTD. SEOUL, KOREA
FINISH TREATMENT	MODEL	SPTM-6VR		
MATERIAL	PROJECTION	3rd	SCALE	1/2
OTHERWISE NOTE	GENERAL TOLERANCE	QUANTITY	SHEET No.	1/1
			PROJECT NAME	-
			TITLE	ROTARY TRANSMITTER ASS'Y DWG
			DRAWING NO.	SPTM-6VR
			REV.	2