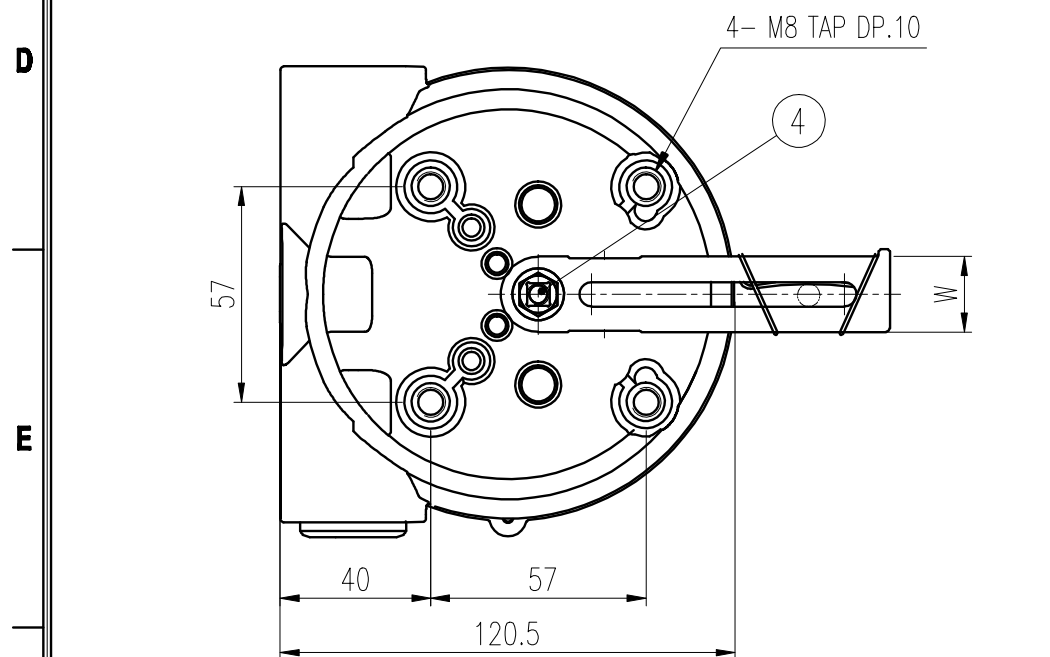
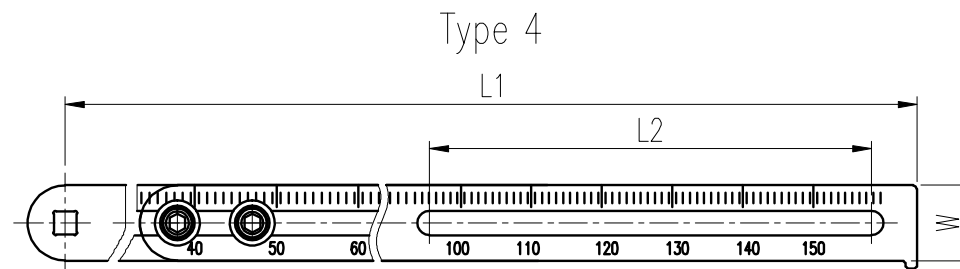
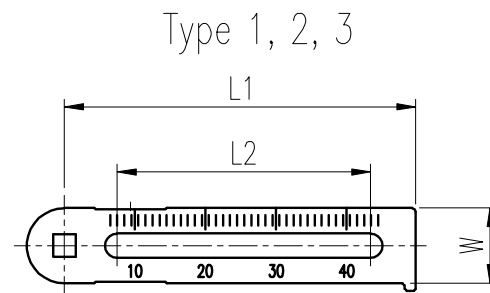
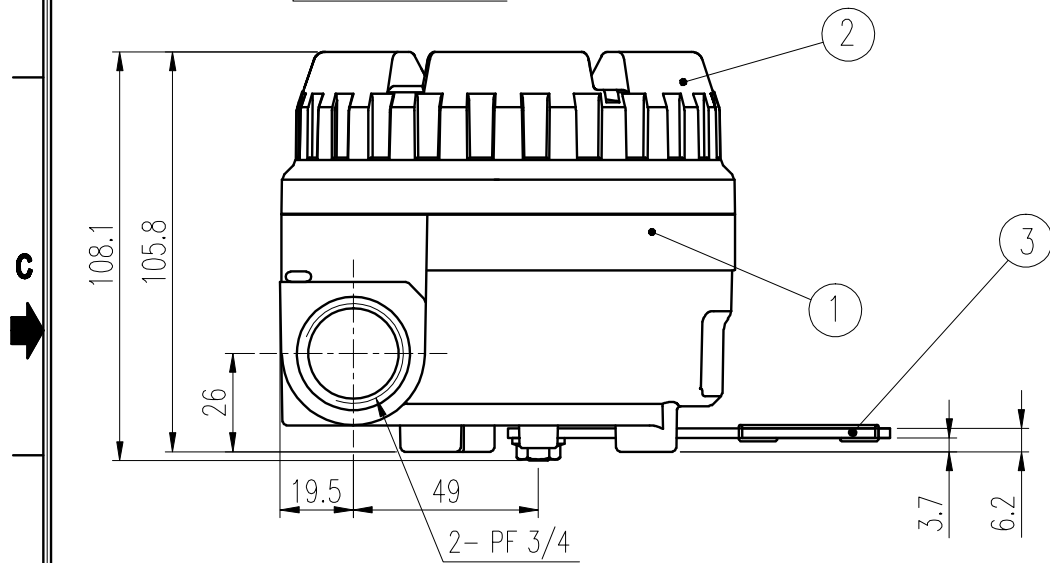
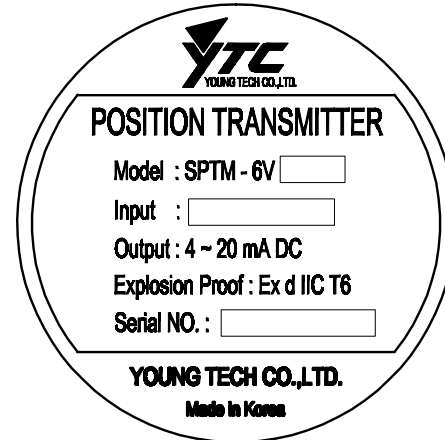
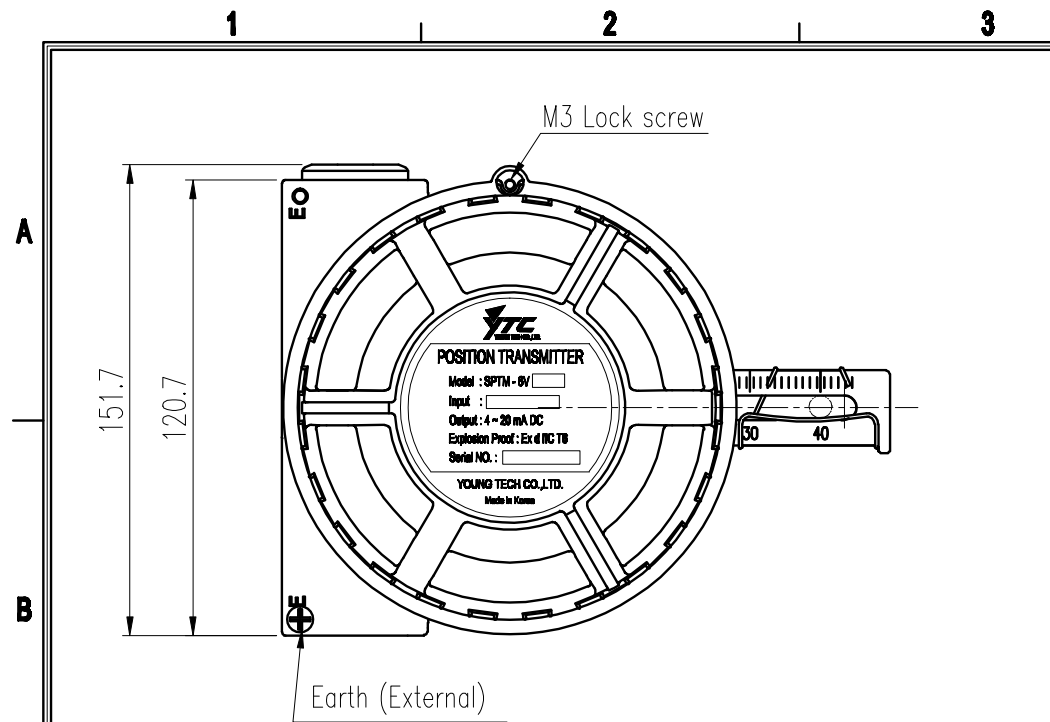


REV.NO.	REVISION DESCRIPTION	DRAWN / DATE	REVIEWED / DATE	APPROVED / DATE
△	ISSUE FOR APPROVAL	KDH/110726		
△				



Lever Type	Stroke(mm)	L1(mm)	L2(mm)	W(mm)
1	10~40	93.0	67.0	20.0
2	20~70	153.5	106.5	
3	50~100	214.0	117.0	
4	100~150	307.3		

SPECIFICATIONS

Input Type	2 Wire	
Output	4 ~ 20mA DC	
Noise Range	50mV p.p	
Explosion Proof	Ex d IIC T6	
Protection	IP 66	
Input Signal	0 ~ 30°	
Load Resistance	Max. 600 Ohm / 28V DC	
Stroke	10~150mm	
Lever Type	<input type="checkbox"/> 10 ~ 40mm	<input type="checkbox"/> 20 ~ 70mm
	<input type="checkbox"/> 50 ~ 100mm	<input type="checkbox"/> 100 ~ 150mm
Connection	PF 3/4, (G 3/4)	
Ambient Temp.	Operating	-30 ~ 85 °C (-22 ~ 185°F)
	Explosion	-20 ~ 60 °C (-4 ~ 140°F)
Linearity	±1% F.S.	
Hysteresis	±0.2% F.S.	
Sensitivity	±0.2% F.S.	
Input Voltage	15~30V DC	
Weight	1.2kg (2.7 lb)	
Material	ALUMINUM DIECASTING	

4	LEVER SHAFT	STS 303	1	
3	FEEDBACK LEVER	STS 304	1	
2	BASE COVER	ALDC12	1	
1	BASE BODY	ALDC12	1	
NO.	PART NAME	MATERIAL	Q'TY	REMARK

PROJECT NAME -

MIEPL
INDIAN SALES PARTNER

SURFACE TEXTURE	PRODUCT NAME POSITION TRANSMITTER	YTC YOUNG TECH CO., LTD. SEOUL, KOREA
FINISH TREATMENT	MODEL SPTM-6VL	
MATERIAL	PROJECTION 3rd	SCALE 1/2
OTHERWISE NOTE	GENERAL TOLERANCE	QUANTITY 1
		SHEET No. 1/1
		TITLE LINEAR TRANSMITTER ASS'Y DWG
		DRAWING NO. SPTM-6VL
		REV. 0