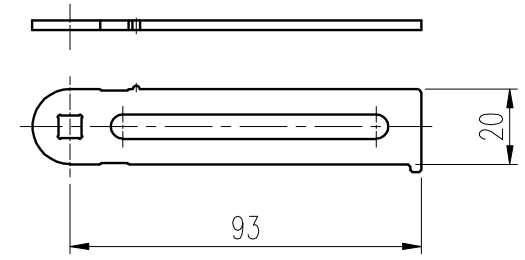
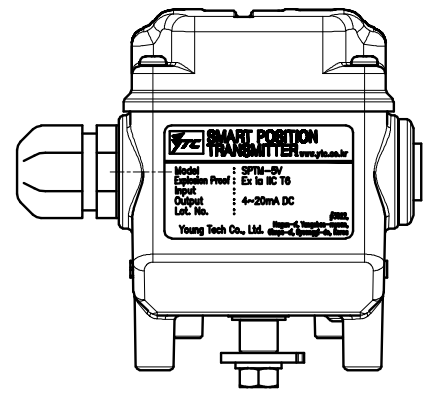
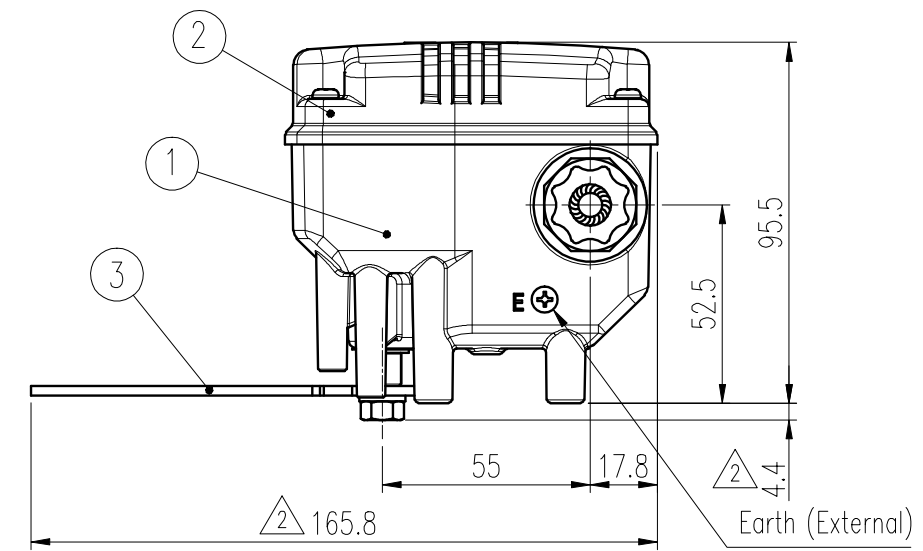
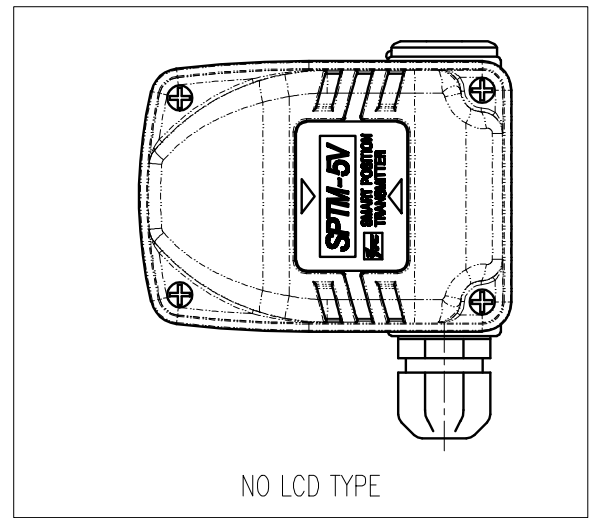
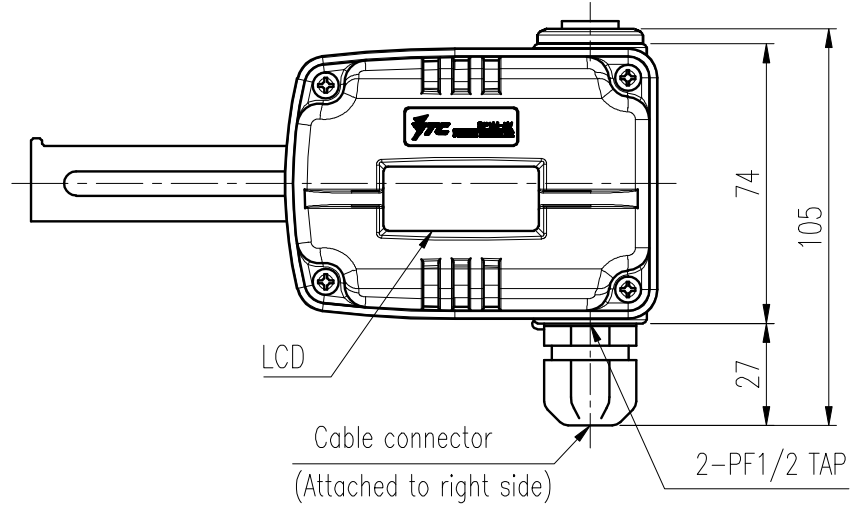
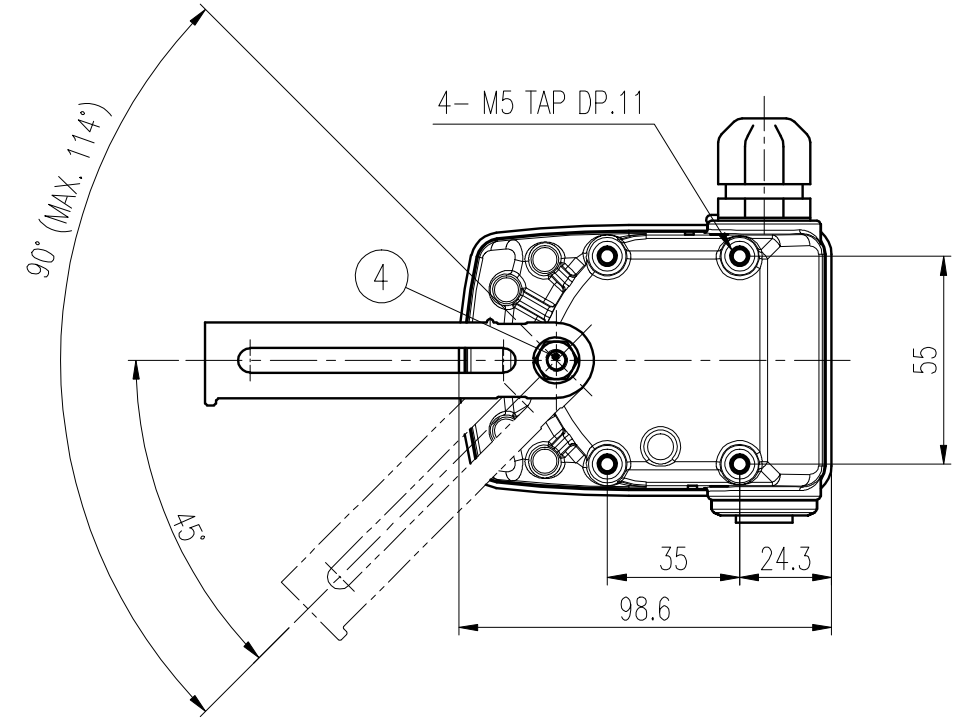


REV.NO.	REVISION DESCRIPTION	DRAWN / DATE	REVIEWED / DATE	APPROVED / DATE
△	ISSUE FOR APPROVAL	KCH/100302	JCS/100302	LYH/100302
△	DRAWING ARRANGEMENT	KBJ/121109	JCS/121109	LYH/121109
△	DRAWING ARRANGEMENT	KBJ/130129	JCS/130129	LYH/130129



△ ROTARY LEVER



SPECIFICATIONS

Input Type	2 Wire	
Output	4 ~ 20mA DC	
Noise Range	50mVp.p	
Explosion Proof	ExIIICT6	
Protection	IP 67	
Input Signal	0 ~ 90°	
Load Resistance	Max. 880 Ohm / 28V DC	
Stroke	0 ~ 90°	
Connection	PF 1/2, (G 1/2)	
Ambient Temp.	Operating	-30 ~ 85 °C (-22 ~ 185 °F)
	Explosion	-20 ~ 60 °C (-4 ~ 140 °F)
Linearity	±1% F.S.	
Hysteresis	±0.2% F.S.	
Sensitivity	±0.2% F.S.	
Input Voltage	9~28V DC	
Weight	0.6 kg(1.3 lb)	
Material	ALUMINUM DIECASTING	

4	SHAFT MAIN	STS303	1
3	FEEDBACK LEVER	STS304	1
2	COVER BASE	ALDC12	1
1	BODY BASE	ALDC12	1
NO.	PART NAME	MATERIAL	Q'TY

SURFACE TEXTURE	PRODUCT NAME	SMART POSITION TRANSMITTER		YOUNG TECH CO., LTD. <small>SEOUL, KOREA</small>	
FINISH TREATMENT	MODEL	SPTM-5VR			
MATERIAL	PROJECTION	3rd	SCALE	1 / 2	
OTHERWISE NOTE	GENERAL TOLERANCE	QUANTITY	SHEET No.	1 / 1	
				DRAWING NO.	SPTM-5VR
				REV.	2



PROJECT NAME -