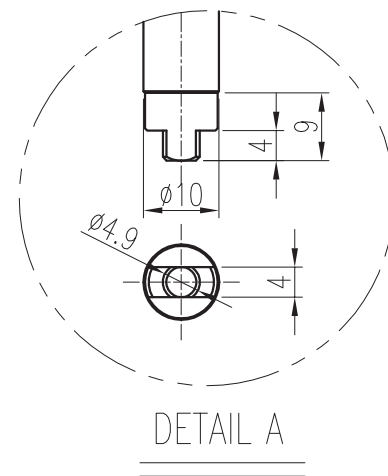
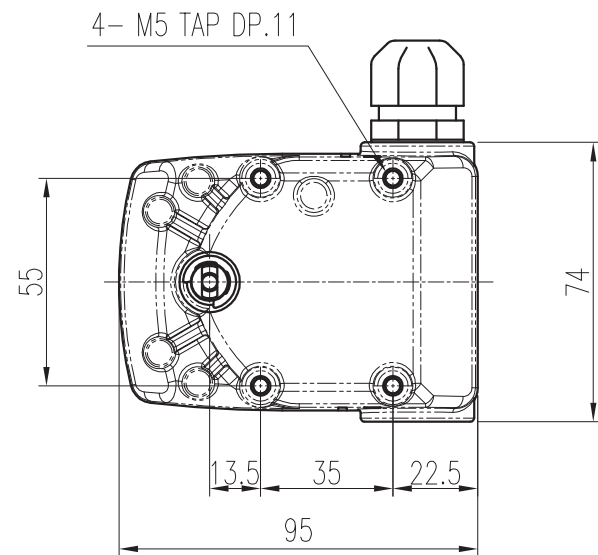
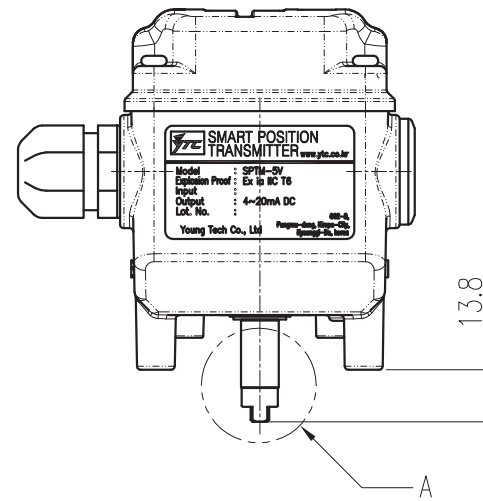
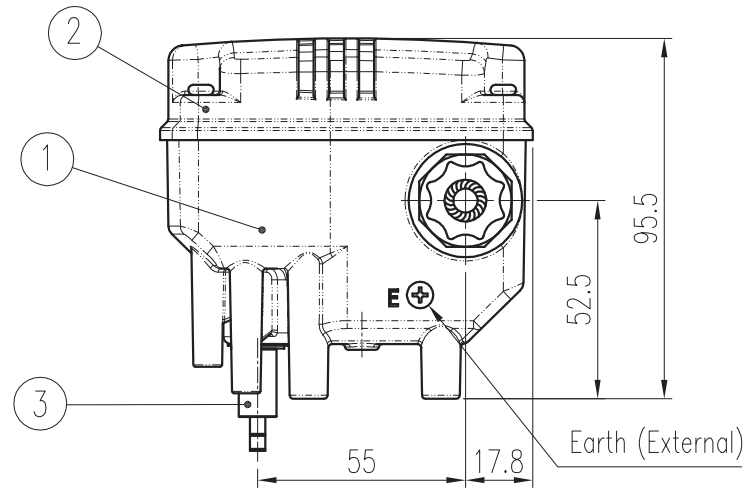
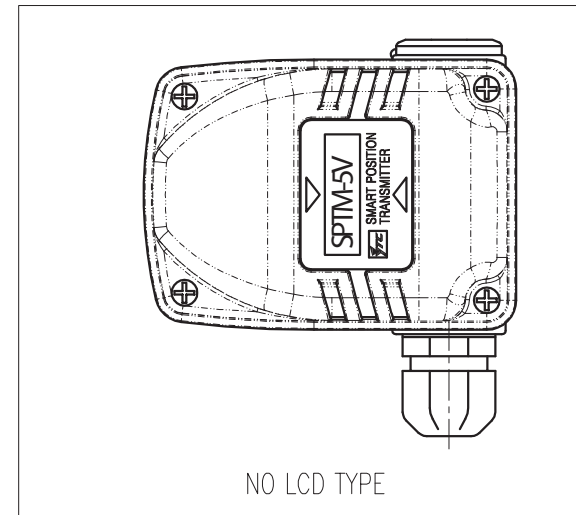
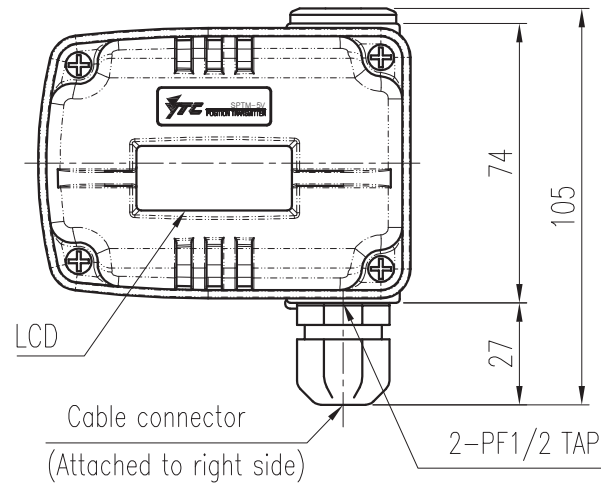


REV.NO.	REVISION DESCRIPTION	DRAWN / DATE	REVIEWED / DATE	APPROVED / DATE
△	ISSUE FOR APPROVAL	KBJ/120426		JCS/120426
△	DRAWING ARRANGEMENT	KBJ/121109	JCS/121109	LYH/121109



SPECIFICATIONS

Input Type	2 Wire	
Output	4 ~ 20mA DC	
Noise Range	50mVp.p	
Explosion Proof	Ex ia IIC T6	
Protection	IP 67	
Input Signal	0 ~ 90°	
Load Resistance	Max. 880 Ohm / 28V DC	
Stroke	0 ~ 90°	
Connection	PF 1/2, (G 1/2)	
Ambient Temp.	Operating	-30 ~ 85 °C (-22 ~ 185 °F)
	Explosion	-20 ~ 60 °C (-4 ~ 140 °F)
Linearity	±1% F.S.	
Hysteresis	±0.2% F.S.	
Sensitivity	±0.2% F.S.	
Input Voltage	9~28V DC	
Weight	0.6 kg(1.3 lb)	
Material	ALUMINUM DIECASTING	

MIEPL
INDIAN SALES PARTNER

3	SHAFT MAIN-EX	STS303	1
2	BASE COVER	ALDC12	1
1	BASE BODY	ALDC12	1
NO.	PART NAME	MATERIAL	Q'TY

SURFACE TEXTURE		PRODUCT NAME SMART POSITION TRANSMITTER		PROJECT NAME	
FINISH TREATMENT		MODEL SPTM-5VR		YOUNG TECH CO., LTD. SEOUL, KOREA	
MATERIAL		PROJECTION 3rd	SCALE 1/2	TITLE ROTARY(NAMUR) TRANSMITTER ASS'Y DWG	
OTHERWISE NOTE		GENERAL TOLERANCE	QUANTITY 1	SHEET No. 1/1	DRAWING NO. SPTM-5VR
					REV. 1